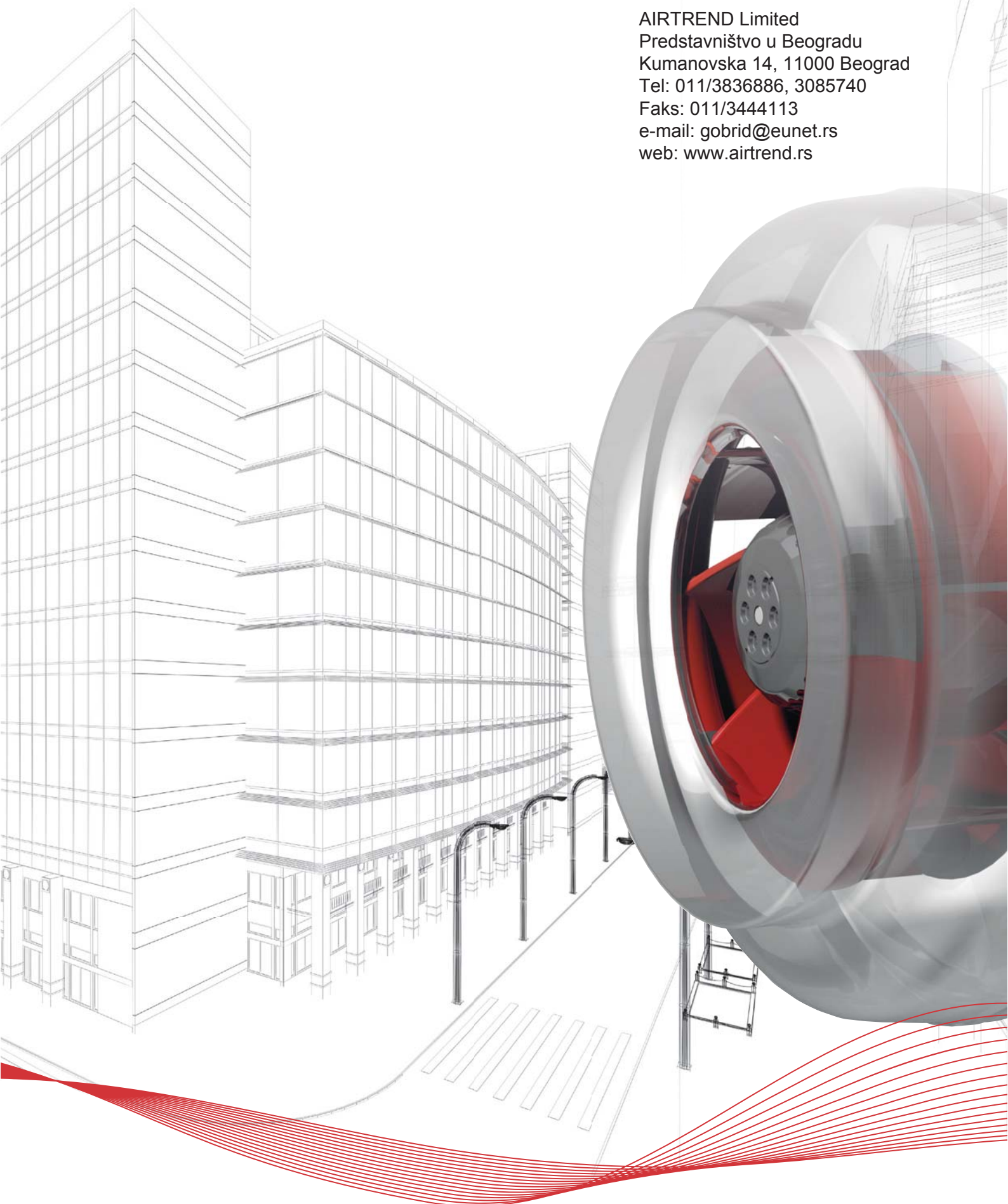


AIRTREND Limited
Predstavništvo u Beogradu
Kumanovska 14, 11000 Beograd
Tel: 011/3836886, 3085740
Faks: 011/3444113
e-mail: gobrid@eunet.rs
web: www.airtrend.rs



Östberg supplies energy efficient and high performance ventilation products for a fresh and healthy indoor climate, wherever people live, work or play. Founded in Sweden in the early 1980s, Östberg has grown into a leading global supplier of duct fans and energy efficient air treatment units – with product sales in over 75 countries.

healthy indoor climate

FLEXIBLE AND CUSTOMISED

Consistent customer focus and great flexibility play key roles in Östberg's business concept. We consider it of particular importance to create a truly world-class indoor environment with the lowest possible energy consumption and sound levels. Our comprehensive product range features units that can handle airflows up to 50 litres to 30 cubic metres per second. All our products are CE-labelled for EU, EFTA and EEA markets, and we place great emphasis on making them simple to install and to use.

RESEARCH AND PRODUCT DEVELOPMENT

To maintain and grow the position as a leading technical supplier of high end quality products, Östberg continuously invests heavily in innovation and product development. Our ideas for product development arise from collaborations with our customers, innovations by our technical experts, and from our desire to create even better indoor climates. In our efforts to continuously develop our products, we perform numerous tests and measurements – all in order to meet our customers needs and provide healthier air using energy efficient fan and ventilation products at competitive prices.

QUALITY ASSURED PRODUCTS

Östberg upholds the highest standards for production, with secure quality controls monitoring each product throughout the entire manufacturing process. The company is certified according to the quality and environment standards ISO 9001 and ISO 14001. Östberg is headquartered in Sweden with branches in many countries all over the world.

By choosing an Östberg product you invest in long-lasting quality products *powered by innovation.*

UNINSULATED

CK 10

CK is a duct fan with circular connection. It is compact with high capacity and efficiency, with low sound levels.

CK is available with either AC or EC motor. Air Flow up to 1800 m³/h (0.52 m³/s).

LPKB 38

The LPKB is a low profile duct fan with circular connection and proven performance and reliability. LPKB is available with either AC motor or EC motor. Airflows up to 1600 m³/h (0.45 m³/s).

LPKB SILENT 58

LPKB Silent is similar to the LPKB. LPKB Silent is equipped with a built in silencer on the inlet side for an even lower sound level.

LPKB Silent is available with either AC motor or EC motor.

Airflows up to 1600 m³/h (0.45 m³/s).

BFC 78

BFC is a range of uninsulated duct fans with circular connection.

BFC is available with AC motor or EC motors.

Air flows up to 19080 m³/h (5.3 m³/s).

INSULATED

IRB 102

Equipped with 50 mm thermal and acoustic insulation, the IRB is ideal for handling cold air.

IRB is available with either AC or EC motor. Airflows up to 10800 m³/h (3.00 m³/s).

IRE 140

Equipped with 50 mm thermal and acoustic insulation, the IRE is ideal for handling cold air. IRE is available with AC motor and some models with EC motor.

Airflows up to 8200 m³/h (2.30 m³/s).

IFK 158

This fan has multiple inlets.

The IFK is designed as a cooker exhaust fan and can be connected to a cooker hood. Is available with AC motor and impeller with forward curved blades.

NON INSULATED DUCT FAN WITH CIRCULAR CONNECTIONS

CK 100 A

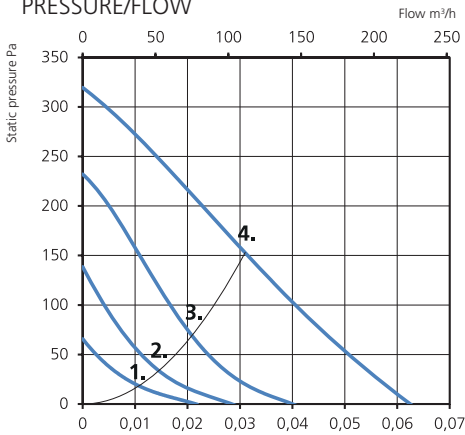
7000030

- Duct fan with circular connections.
- Proven performance and reliability.
- Compact with high capacity and efficiency.
- Low sound levels.
- Operational in both 50 and 60 Hz.
- Impeller with backward curved blades.
- The external rotor motor has maintenance-free sealed ball-bearings and is very energy efficient.
- For speed control a transformer or electronic speed controller can be connected.

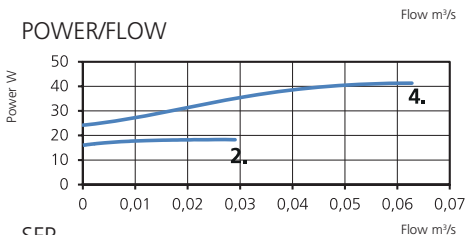
- Integrated motor protection.
- Junction box has enclosure class IP 54.
- Fan housing is manufactured from galvanized sheet steel.
- The fan is intended to be installed in a duct system.
- A duct connected fan can be installed outside or in damp environments.
- Easy installation in any position.
- To comply with the ErP 2018 regulation, a local demand controller must be used.



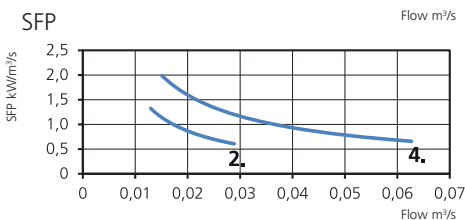
PRESSURE/FLOW



POWER/FLOW



SFP



TECHNICAL DATA

| | |
|-------------------------------------|---------------|
| Voltage | 230 V |
| Frequency | 50 Hz (60 Hz) |
| Phase | 1 ~ |
| Current | 0.18 A |
| Power | 41 W |
| Speed | 2040 r.p.m. |
| Capacitor | 3 µF |
| Max. temp of transported air | 80 °C |
| Sound pressure level, 3 m | 37 dB(A) |
| Weight | 2.6 kg |
| Wiring diagram | 4040002 |

ACCESSORIES

- Mounting bracket Kit MB
- Mounting clamp MK 100
- Safety grille BSV 100
- Back draught shutter RSK 100
- Louvre YG 100
- Louvre shutter VK 100
- Filterbox FLK 100
- Filterbox FLF 100
- Silencer LDC 100
- Transformer controller VRTE C
- Transformer controller VRDE 1.5
- Speed controller VRS 0.5
- Local Demand Controller Kit

SOUND DATA

| | L_{wa} tot dB (A) | 63 | 125 | 250 | 500 | 1K | 2K | 4K | 8K |
|----------------------------|---------------------|----|-----|-----|-----|----|----|----|----|
| 4.Surrounding 230 V | 44 | 22 | 31 | 38 | 36 | 38 | 35 | 34 | 31 |
| 4.Outlet 230 V | 66 | 55 | 56 | 61 | 60 | 57 | 56 | 50 | 43 |
| 4.Inlet 230 V | 66 | 56 | 57 | 60 | 62 | 58 | 54 | 50 | 44 |
| 3.Inlet 165 V | 57 | 46 | 48 | 51 | 51 | 48 | 43 | 36 | 26 |
| 2.Inlet 135 V | 48 | 39 | 41 | 43 | 42 | 38 | 30 | 22 | 13 |
| 1.Inlet 110 V | 40 | 33 | 33 | 35 | 33 | 28 | 17 | 16 | 10 |

TRANSFORMER STEPS

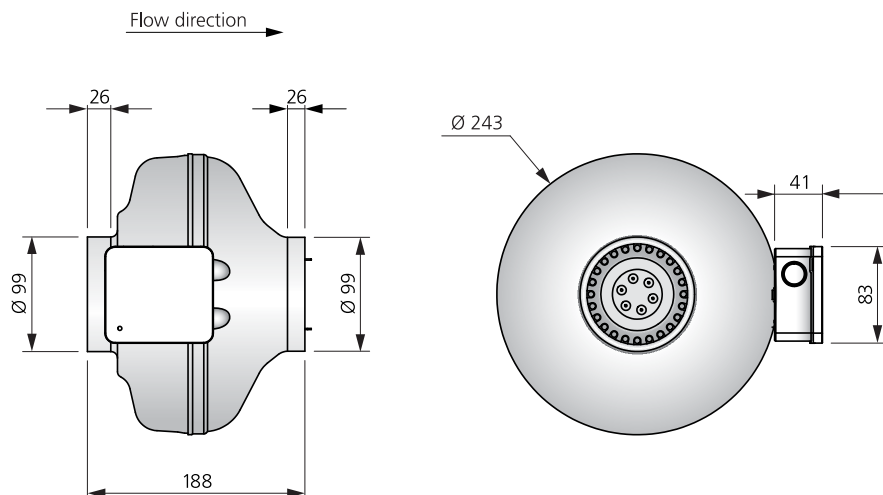
1. 110 V 2. 135 V 3. 165 V 4. 230 V

MORE INFORMATION



Find out the latest updated information about this product by visiting www.ostberg.com or by scanning QR code.

DIMENSIONS (mm)





- Duct fan with circular connections.
- Proven performance and reliability.
- Compact with high capacity and efficiency.
- Low sound levels.
- Operational in both 50 and 60 Hz.
- Impeller with backward curved blades.
- The external rotor motor has maintenance-free sealed ball-bearings and is very energy efficient.
- For speed control a transformer or electronic speed controller can be connected.

- Integrated motor protection.
- Junction box has enclosure class IP 54.
- Fan housing is manufactured from galvanized sheet steel.
- The fan is intended to be installed in a duct system.
- A duct connected fan can be installed outside or in damp environments.
- Easy installation in any position.
- To comply with the ErP 2018 regulation, a local demand controller must be used.

ACCESSORIES

- Mounting bracket Kit MB
- Mounting clamp MK 100
- Safety grille BSV 100
- Back draught shutter RSK 100
- Louvre YG 100
- Louvre shutter VK 100
- Filterbox FLK 100
- Filterbox FLF 100
- Silencer LDC 100
- Transformer controller VRTE C
- Transformer controller VRDE 1.5
- Speed controller VRS 0.5
- Local Demand Controller Kit

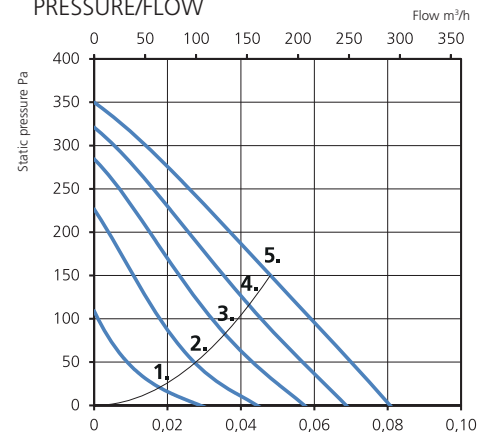
TECHNICAL DATA

| | |
|-------------------------------------|---------------|
| Voltage | 230 V |
| Frequency | 50 Hz (60 Hz) |
| Phase | 1 ~ |
| Current | 0.26 A |
| Power | 59 W |
| Speed | 2570 r.p.m. |
| Capacitor | 2 µF |
| Max. temp of transported air | 80 °C |
| Sound pressure level, 3 m | 42 dB(A) |
| Weight | 2.6 kg |
| Wiring diagram | 4040001 |

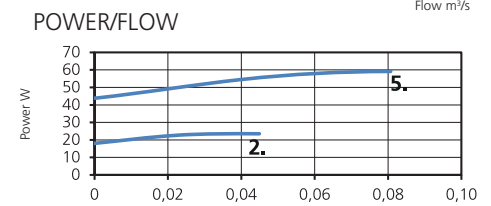
SOUND DATA

| | L_{WA} tot dB (A) | 63 | 125 | 250 | 500 | 1K | 2K | 4K | 8K |
|----------------------------|---------------------|----|-----|-----|-----|----|----|----|----|
| 5.Surrounding 230 V | 49 | 26 | 37 | 43 | 41 | 43 | 38 | 40 | 35 |
| 5.Outlet 230 V | 70 | 57 | 61 | 65 | 64 | 62 | 60 | 56 | 49 |
| 5.Inlet 230 V | 71 | 56 | 60 | 64 | 66 | 62 | 58 | 55 | 49 |
| 4.Inlet 165 V | 68 | 55 | 57 | 62 | 63 | 59 | 55 | 51 | 44 |
| 3.Inlet 135 V | 63 | 52 | 53 | 58 | 59 | 54 | 50 | 45 | 37 |
| 2.Inlet 110 V | 57 | 46 | 48 | 52 | 51 | 47 | 42 | 35 | 25 |
| 1.Inlet 80 V | 45 | 36 | 38 | 41 | 39 | 34 | 24 | 22 | 17 |

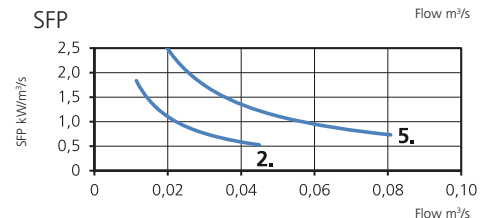
PRESSURE/FLOW



POWER/FLOW



SFP



MORE INFORMATION

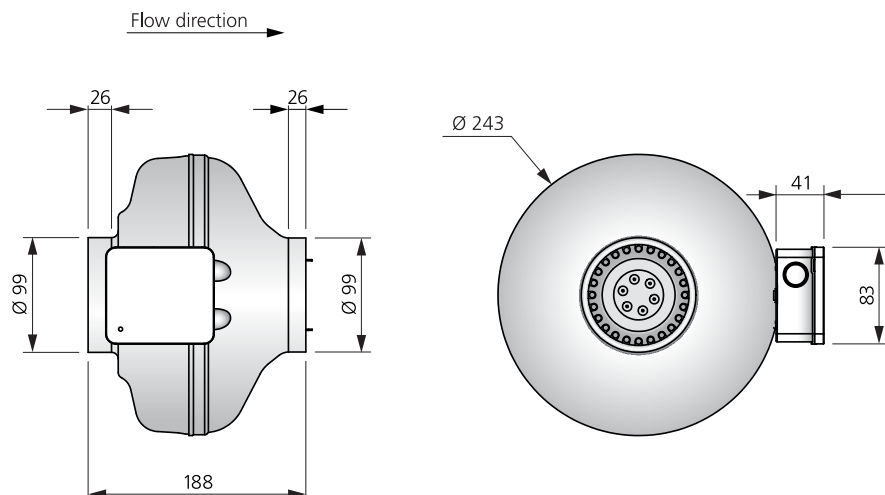


Find out the latest updated information about this product by visiting www.ostberg.com or by scanning QR code.

TRANSFORMER STEPS

1. 80 V 2. 110 V 3. 135 V 4. 165 V 5. 230 V

DIMENSIONS (mm)



NON INSULATED DUCT FAN WITH CIRCULAR CONNECTIONS

CK 125 A

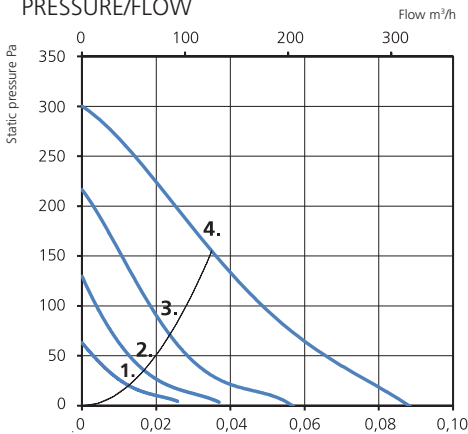
7000037

- Duct fan with circular connections.
- Proven performance and reliability.
- Compact with high capacity and efficiency.
- Low sound levels.
- Operational in both 50 and 60 Hz.
- Impeller with backward curved blades.
- The external rotor motor has maintenance-free sealed ball-bearings and is very energy efficient.
- For speed control a transformer or electronic speed controller can be connected.

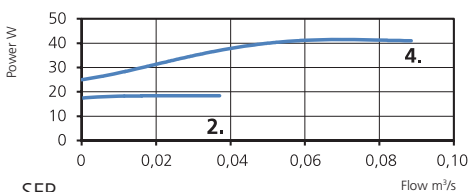
- Integrated motor protection.
- Junction box has enclosure class IP 54.
- Fan housing is manufactured from galvanized sheet steel.
- The fan is intended to be installed in a duct system.
- A duct connected fan can be installed outside or in damp environments.
- Easy installation in any position.
- To comply with the ErP 2018 regulation, a local demand controller must be used.



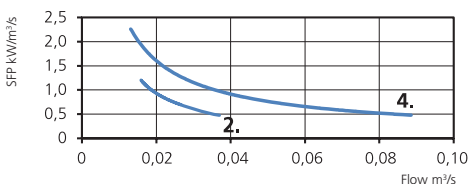
PRESSURE/FLOW



POWER/FLOW



SFP



TECHNICAL DATA

| | |
|-------------------------------------|---------------|
| Voltage | 230 V |
| Frequency | 50 Hz (60 Hz) |
| Phase | 1 ~ |
| Current | 0.18 A |
| Power | 41 W |
| Speed | 1960 r.p.m. |
| Capacitor | 3 µF |
| Max. temp of transported air | 80 °C |
| Sound pressure level, 3 m | 36 dB(A) |
| Weight | 2.6 kg |
| Wiring diagram | 4040001 |

ACCESSORIES

- Mounting bracket Kit MB
- Mounting clamp MK 125
- Safety gril BSV 125
- Back draught shutter RSK 125
- Louvre YG 125
- Louvre shutter VK 125
- Filterbox FLK 125
- Filterbox FLF 125
- Silencer LDC 125
- Transformer controller VRTE C
- Transformer controller VRTE 1.5
- Speed controller VRS 0.5
- Local Demand Controller Kit

SOUND DATA

| | L_{wa} tot dB (A) | 63 | 125 | 250 | 500 | 1K | 2K | 4K | 8K |
|----------------------------|---------------------|----|-----|-----|-----|----|----|----|----|
| 4.Surrounding 230 V | 43 | 16 | 31 | 36 | 34 | 36 | 34 | 34 | 32 |
| 4.Outlet 230 V | 67 | 47 | 61 | 62 | 59 | 57 | 54 | 49 | 42 |
| 4.Inlet 230 V | 68 | 48 | 62 | 63 | 60 | 58 | 54 | 49 | 43 |
| 3.Inlet 165 V | 58 | 41 | 54 | 52 | 50 | 47 | 42 | 34 | 24 |
| 2.Inlet 135 V | 50 | 34 | 48 | 44 | 41 | 37 | 29 | 22 | 12 |
| 1.Inlet 110 V | 42 | 28 | 40 | 37 | 32 | 27 | 16 | 23 | 17 |

TRANSFORMER STEPS

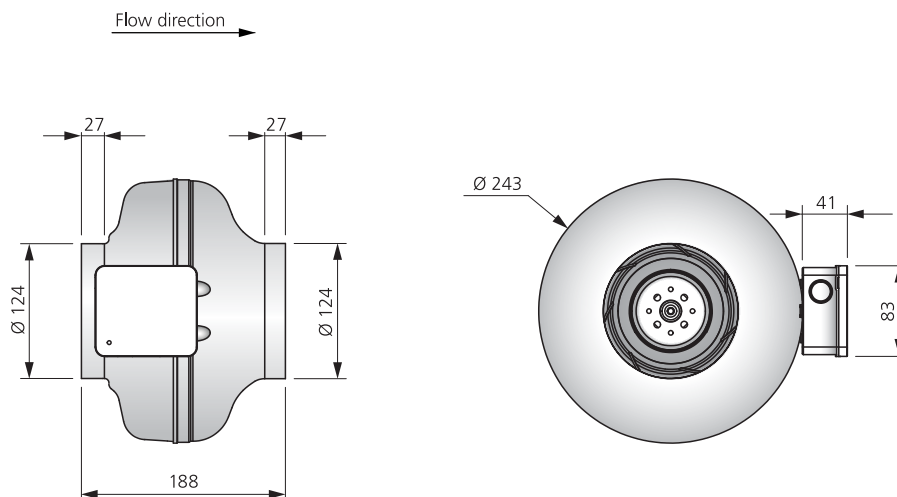
1. 110 V 2. 135 V 3. 165 V 4. 230 V

MORE INFORMATION



Find out the latest updated information about this product by visiting www.ostberg.com or by scanning QR code.

DIMENSIONS (mm)





- Duct fan with circular connections.
- Proven performance and reliability.
- Compact with high capacity and efficiency.
- Low sound levels.
- Operational in both 50 and 60 Hz.
- Impeller with backward curved blades.
- The external rotor motor has maintenance-free sealed ball-bearings and is very energy efficient.
- For speed control a transformer or electronic speed controller can be connected.

- Integrated motor protection.
- Junction box has enclosure class IP 54.
- Fan housing is manufactured from galvanized sheet steel.
- The fan is intended to be installed in a duct system.
- A duct connected fan can be installed outside or in damp environments.
- Easy installation in any position.
- To comply with the ErP 2018 regulation, a local demand controller must be used.

ACCESSORIES

- Mounting bracket Kit MB
- Mounting clamp MK 125
- Safety grille BSV 125
- Back draught shutter RSK 125
- Louvre YG 125
- Louvre shutter VK 125
- Filterbox FLK 125
- Filterbox FLF 125
- Silencer LDC 125
- Transformer controller VRTE C
- Transformer controller VRDE 1.5
- Speed controller VRS 0.5
- Local Demand Controller Kit

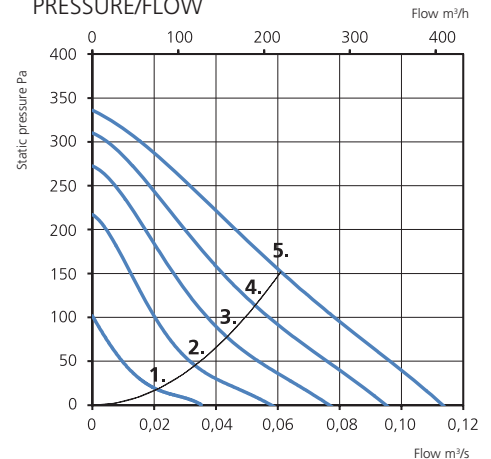
TECHNICAL DATA

| | |
|-------------------------------------|---------------|
| Voltage | 230 V |
| Frequency | 50 Hz (60 Hz) |
| Phase | 1 ~ |
| Current | 0.26 A |
| Power | 60 W |
| Speed | 2530 r.p.m. |
| Capacitor | 2 µF |
| Max. temp of transported air | 80 °C |
| Sound pressure level, 3 m | 38 dB(A) |
| Weight | 2.6 kg |
| Wiring diagram | 4040001 |

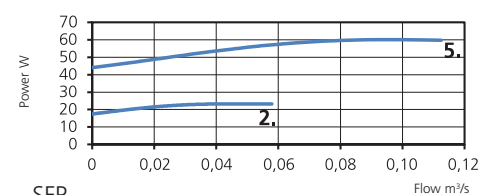
SOUND DATA

| | L _{WA} tot dB (A) | 63 | 125 | 250 | 500 | 1K | 2K | 4K | 8K |
|----------------------------|----------------------------|----|-----|-----|-----|----|----|----|----|
| 5.Surrounding 230 V | 45 | 18 | 29 | 38 | 38 | 40 | 32 | 35 | 30 |
| 5.Outlet 230 V | 70 | 50 | 62 | 66 | 64 | 62 | 59 | 56 | 49 |
| 5.Inlet 230 V | 71 | 48 | 62 | 65 | 65 | 63 | 59 | 56 | 50 |
| 4.Inlet 165 V | 68 | 46 | 61 | 63 | 61 | 59 | 55 | 52 | 45 |
| 3.Inlet 135 V | 63 | 44 | 58 | 58 | 57 | 54 | 50 | 45 | 36 |
| 2.Inlet 110 V | 57 | 39 | 51 | 52 | 50 | 47 | 42 | 36 | 25 |
| 1.Inlet 80 V | 46 | 30 | 43 | 41 | 37 | 32 | 23 | 23 | 17 |

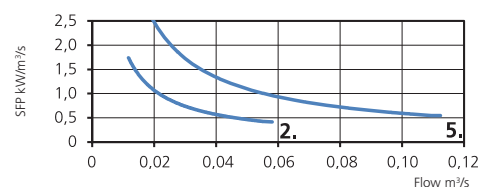
PRESSURE/FLOW



POWER/FLOW



SFP



MORE INFORMATION

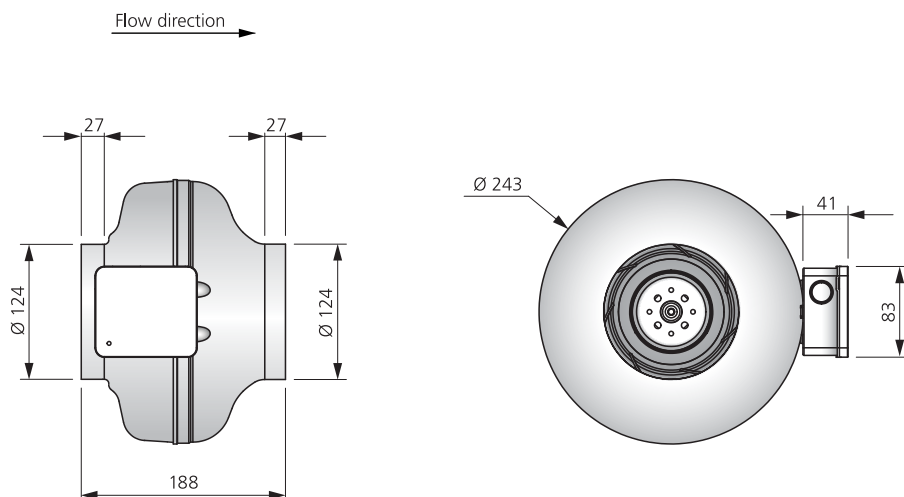


Find out the latest updated information about this product by visiting www.ostberg.com or by scanning QR code.

TRANSFORMER STEPS

1. 80 V 2. 110 V 3. 135 V 4. 165 V 5. 230 V

DIMENSIONS (mm)



NON INSULATED DUCT FAN WITH CIRCULAR CONNECTIONS

CK 150 B

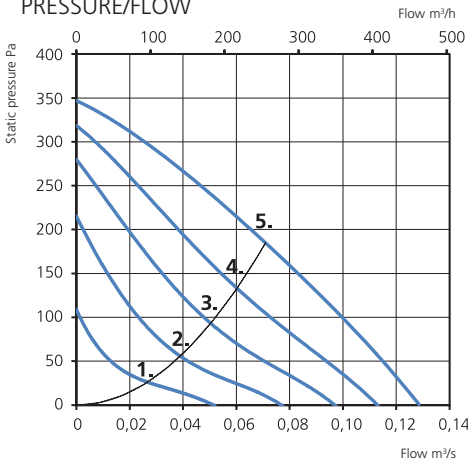
7000043

- Duct fan with circular connections.
- Proven performance and reliability.
- Compact with high capacity and efficiency.
- Low sound levels.
- Operational in both 50 and 60 Hz.
- Impeller with backward curved blades.
- The external rotor motor has maintenance-free sealed ball-bearings and is very energy efficient.
- For speed control a transformer or electronic speed controller can be connected.

- Integrated motor protection.
- Junction box has enclosure class IP 54.
- Fan housing is manufactured from galvanized sheet steel.
- The fan is intended to be installed in a duct system.
- A duct connected fan can be installed outside or in damp environments.
- Easy installation in any position.
- To comply with the ErP 2018 regulation, a local demand controller must be used.



PRESSURE/FLOW



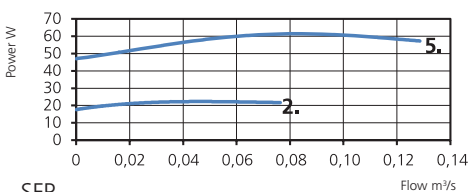
TECHNICAL DATA

| | |
|-------------------------------------|---------------|
| Voltage | 230 V |
| Frequency | 50 Hz (60 Hz) |
| Phase | 1 ~ |
| Current | 0.27 A |
| Power | 61 W |
| Speed | 2500 r.p.m. |
| Capacitor | 2 µF |
| Max. temp of transported air | 80 °C |
| Sound pressure level, 3 m | 39 dB(A) |
| Weight | 3 kg |
| Wiring diagram | 4040001 |

ACCESSORIES

- Mounting bracket Kit MB
- Mounting clamp MK 150
- Safety grille BSV 150
- Back draught shutter RSK 150
- Louvre shutter VK 160
- Filterbox FLK 150
- Silencer LDC 150
- Transformer controller VRTE C
- Transformer controller VRDE 1.5
- Speed controller VRS 0.5
- Local Demand Controller Kit

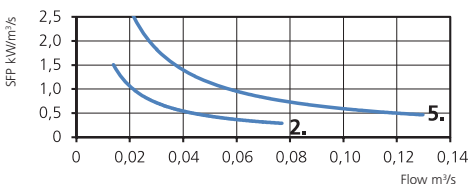
POWER/FLOW



SOUND DATA

| | L_{WA} tot dB (A) | 63 | 125 | 250 | 500 | 1K | 2K | 4K | 8K |
|----------------------------|---------------------|----|-----|-----|-----|----|----|----|----|
| 5.Surrounding 230 V | 46 | 18 | 25 | 41 | 37 | 41 | 36 | 33 | 30 |
| 5.Outlet 230 V | 66 | 49 | 57 | 60 | 60 | 58 | 55 | 54 | 49 |
| 5.Inlet 230 V | 66 | 49 | 56 | 60 | 60 | 58 | 56 | 54 | 51 |
| 4.Inlet 165 V | 62 | 45 | 53 | 57 | 57 | 54 | 52 | 49 | 45 |
| 3.Inlet 135 V | 58 | 41 | 51 | 52 | 52 | 49 | 47 | 42 | 36 |
| 2.Inlet 110 V | 52 | 37 | 47 | 47 | 46 | 43 | 38 | 33 | 27 |
| 1.Inlet 80 V | 42 | 28 | 37 | 37 | 36 | 30 | 22 | 23 | 21 |

SFP



TRANSFORMER STEPS

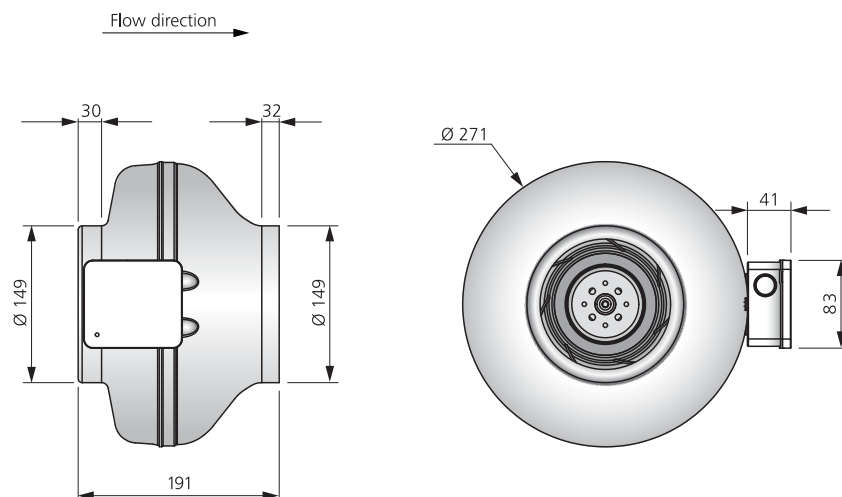
1. 80 V 2. 110 V 3. 135 V 4. 165 V 5. 230 V

MORE INFORMATION



Find out the latest updated information about this product by visiting www.ostberg.com or by scanning QR code.

DIMENSIONS (mm)





- Duct fan with circular connections.
- Proven performance and reliability.
- Compact with high capacity and efficiency.
- Low sound levels.
- Operational in both 50 and 60 Hz.
- Impeller with backward curved blades.
- The external rotor motor has maintenance-free sealed ball-bearings and is very energy efficient.
- For speed control a transformer or electronic speed controller can be connected.

- Integrated motor protection.
- Junction box has enclosure class IP 54.
- Fan housing is manufactured from galvanized sheet steel.
- The fan is intended to be installed in a duct system.
- A duct connected fan can be installed outside or in damp environments.
- Easy installation in any position.
- To comply with the ErP 2018 regulation, a local demand controller must be used.

ACCESSORIES

- Mounting bracket Kit MB
- Mounting clamp MK 150
- Safety grille BSV 150
- Back draught shutter RSK 150
- Louvre shutter VK 160
- Filterbox FLK 150
- Silencer LDC 150
- Transformer controller VRTE C
- Transformer controller VRDE 1.5
- Speed controller VRS 0.5
- Local Demand Controller Kit

TECHNICAL DATA

| | |
|-------------------------------------|---------------|
| Voltage | 230 V |
| Frequency | 50 Hz (60 Hz) |
| Phase | 1 ~ |
| Current | 0.46 A |
| Power | 105 W |
| Speed | 2580 r.p.m. |
| Capacitor | 3 µF |
| Max. temp of transported air | 75 °C |
| Sound pressure level, 3 m | 43 dB(A) |
| Weight | 4 kg |
| Wiring diagram | 4040001 |

SOUND DATA

| | L_{wa} tot dB (A) | 63 | 125 | 250 | 500 | 1K | 2K | 4K | 8K |
|----------------------------|---------------------|----|-----|-----|-----|----|----|----|----|
| 5.Surrounding 230 V | 50 | 21 | 35 | 45 | 43 | 45 | 36 | 37 | 28 |
| 5.Outlet 230 V | 73 | 56 | 64 | 67 | 67 | 65 | 61 | 60 | 53 |
| 5.Inlet 230 V | 74 | 54 | 64 | 70 | 70 | 66 | 62 | 60 | 53 |
| 4.Inlet 165 V | 70 | 51 | 62 | 65 | 65 | 61 | 57 | 54 | 46 |
| 3.Inlet 135 V | 65 | 49 | 59 | 60 | 59 | 55 | 50 | 46 | 36 |
| 2.Inlet 110 V | 57 | 41 | 51 | 53 | 51 | 47 | 40 | 36 | 26 |
| 1.Inlet 80 V | 49 | 35 | 46 | 43 | 40 | 35 | 26 | 27 | 21 |

MORE INFORMATION

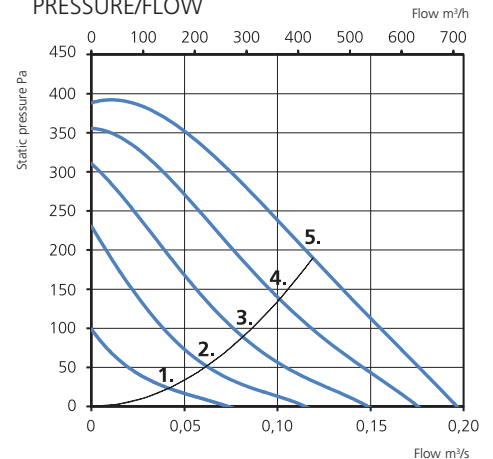


Find out the latest updated information about this product by visiting www.ostberg.com or by scanning QR code.

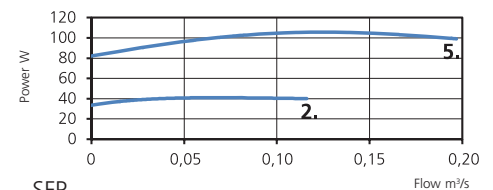
TRANSFORMER STEPS

1. 80 V 2. 110 V 3. 135 V 4. 165 V 5. 230 V

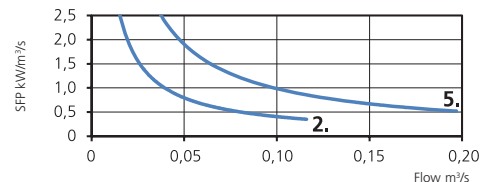
PRESSURE/FLOW



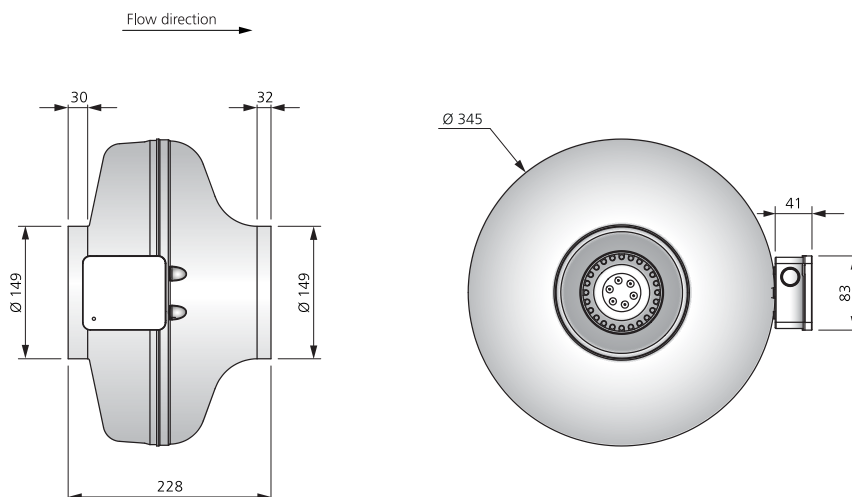
POWER/FLOW



SFP



DIMENSIONS (mm)



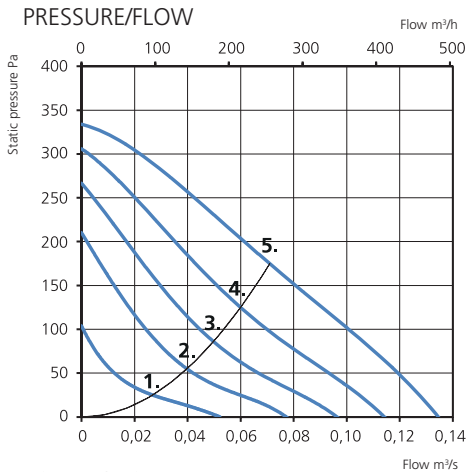
NON INSULATED DUCT FAN WITH CIRCULAR CONNECTIONS

CK 160 B

7000048

- Duct fan with circular connections.
- Proven performance and reliability.
- Compact with high capacity and efficiency.
- Low sound levels.
- Operational in both 50 and 60 Hz.
- Impeller with backward curved blades.
- The external rotor motor has maintenance-free sealed ball-bearings and is very energy efficient.
- For speed control a transformer or electronic speed controller can be connected.

- Integrated motor protection.
- Junction box has enclosure class IP 54.
- Fan housing is manufactured from galvanized sheet steel.
- The fan is intended to be installed in a duct system.
- A duct connected fan can be installed outside or in damp environments.
- Easy installation in any position.
- To comply with the ErP 2018 regulation, a local demand controller must be used.

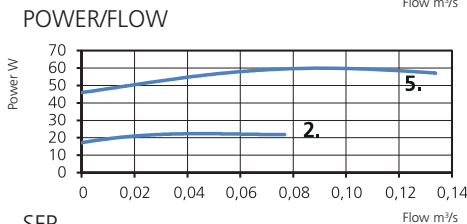


TECHNICAL DATA

| | |
|-------------------------------------|---------------|
| Voltage | 230 V |
| Frequency | 50 Hz (60 Hz) |
| Phase | 1 ~ |
| Current | 0.26 A |
| Power | 60 W |
| Speed | 2490 r.p.m. |
| Capacitor | 2 µF |
| Max. temp of transported air | 80 °C |
| Sound pressure level, 3 m | 39 dB(A) |
| Weight | 2.9 kg |
| Wiring diagram | 4040001 |

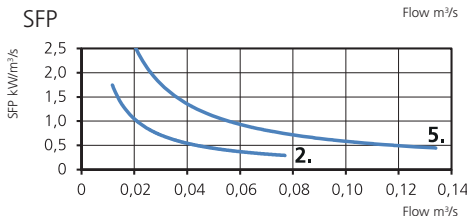
ACCESSORIES

- Mounting bracket Kit MB
- Mounting clamp MK 160
- Safety grille BSV 160
- Back draught shutter RSK 160
- Louvre YG 160
- Louvre shutter VK 160
- Filterbox FLK 160
- Filterbox FLF 160
- Silencer LDC 160
- Transformer controller VRTE C
- Transformer controller VRTE 1.5
- Speed controller VRS 0.5
- Local Demand Controller Kit



SOUND DATA

| | L_{WA} tot dB (A) | 63 | 125 | 250 | 500 | 1K | 2K | 4K | 8K |
|----------------------------|---------------------|----|-----|-----|-----|----|----|----|----|
| 5.Surrounding 230 V | 46 | 18 | 25 | 41 | 37 | 41 | 36 | 33 | 30 |
| 5.Outlet 230 V | 66 | 49 | 57 | 60 | 60 | 58 | 55 | 54 | 49 |
| 5.Inlet 230 V | 66 | 49 | 56 | 60 | 60 | 58 | 56 | 54 | 51 |
| 4.Inlet 165 V | 62 | 45 | 53 | 57 | 57 | 54 | 52 | 49 | 45 |
| 3.Inlet 135 V | 58 | 41 | 51 | 52 | 52 | 49 | 47 | 42 | 36 |
| 2.Inlet 110 V | 52 | 37 | 47 | 47 | 46 | 43 | 38 | 33 | 27 |
| 1.Inlet 80 V | 42 | 28 | 37 | 37 | 36 | 30 | 22 | 23 | 21 |



TRANSFORMER STEPS

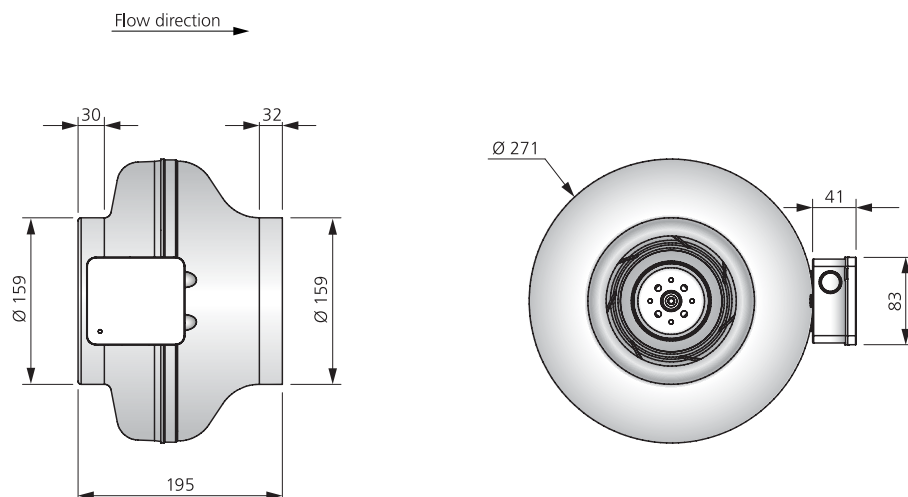
1. 80 V 2. 110 V 3. 135 V 4. 165 V 5. 230 V

MORE INFORMATION



Find out the latest updated information about this product by visiting www.ostberg.com or by scanning QR code.

DIMENSIONS (mm)





- Duct fan with circular connections.
- Proven performance and reliability.
- Compact with high capacity and efficiency.
- Low sound levels.
- Operational in both 50 and 60 Hz.
- Impeller with backward curved blades.
- The external rotor motor has maintenance-free sealed ball-bearings and is very energy efficient.
- For speed control a transformer or electronic speed controller can be connected.

- Integrated motor protection.
- Junction box has enclosure class IP 54.
- Fan housing is manufactured from galvanized sheet steel.
- The fan is intended to be installed in a duct system.
- A duct connected fan can be installed outside or in damp environments.
- Easy installation in any position.
- To comply with the ErP 2018 regulation, a local demand controller must be used.

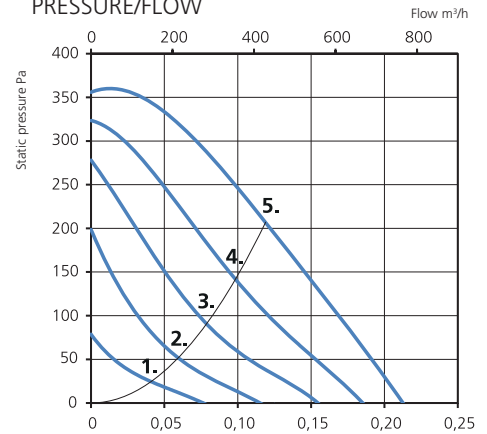
ACCESSORIES

- Mounting bracket Kit MB
- Mounting clamp MK 160
- Safety grille BSV 160
- Back draught shutter RSK 160
- Louvre YG 160
- Louvre shutter VK 160
- Filterbox FLK 160
- Filterbox FLF 160
- Silencer LDC 160
- Transformer controller VRTE C
- Transformer controller VRDE 1.5
- Speed controller VRS 1.0
- Local Demand Controller Kit

TECHNICAL DATA

| | |
|-------------------------------------|---------------|
| Voltage | 230 V |
| Frequency | 50 Hz (60 Hz) |
| Phase | 1 ~ |
| Current | 0.47 A |
| Power | 108 W |
| Speed | 2560 r.p.m. |
| Capacitor | 3 µF |
| Max. temp of transported air | 75 °C |
| Sound pressure level, 3 m | 43 dB(A) |
| Weight | 3.9 kg |
| Wiring diagram | 4040001 |

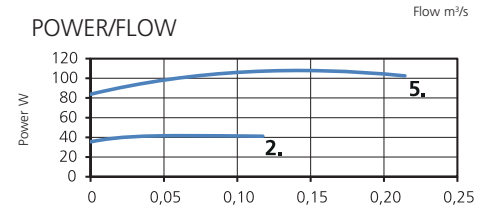
PRESSURE/FLOW



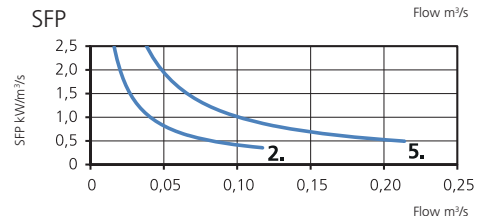
SOUND DATA

| | L_{wa} tot dB (A) | 63 | 125 | 250 | 500 | 1K | 2K | 4K | 8K |
|----------------------------|---------------------|----|-----|-----|-----|----|----|----|----|
| 5.Surrounding 230 V | 50 | 21 | 35 | 45 | 43 | 45 | 36 | 37 | 28 |
| 5.Outlet 230 V | 73 | 56 | 64 | 67 | 67 | 65 | 61 | 60 | 53 |
| 5.Inlet 230 V | 74 | 54 | 64 | 70 | 70 | 66 | 62 | 60 | 53 |
| 4.Inlet 165 V | 70 | 51 | 62 | 65 | 65 | 61 | 57 | 54 | 46 |
| 3.Inlet 135 V | 65 | 49 | 59 | 60 | 59 | 55 | 50 | 46 | 36 |
| 2.Inlet 110 V | 57 | 41 | 51 | 53 | 51 | 47 | 40 | 36 | 26 |
| 1.Inlet 80 V | 49 | 35 | 46 | 43 | 40 | 35 | 26 | 27 | 21 |

POWER/FLOW



SFP



MORE INFORMATION

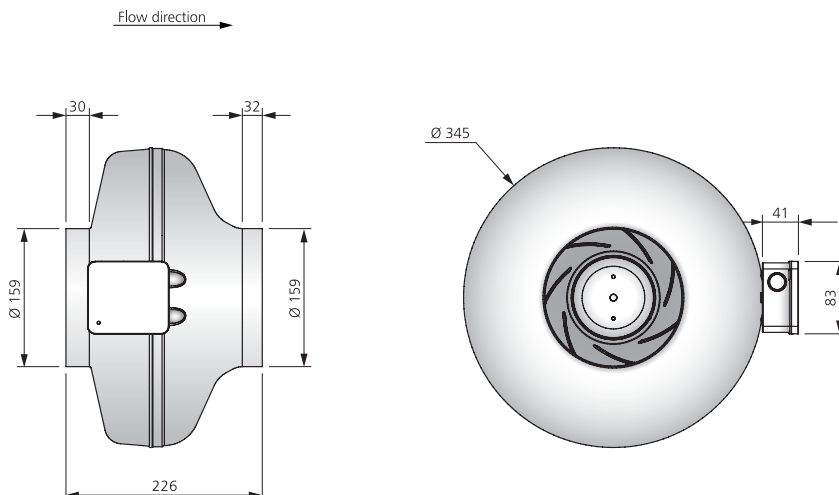


Find out the latest updated information about this product by visiting www.ostberg.com or by scanning QR code.

TRANSFORMER STEPS

1. 80 V 2. 110 V 3. 135 V 4. 165 V 5. 230 V

DIMENSIONS (mm)



NON INSULATED DUCT FAN WITH CIRCULAR CONNECTIONS

CK 200 A

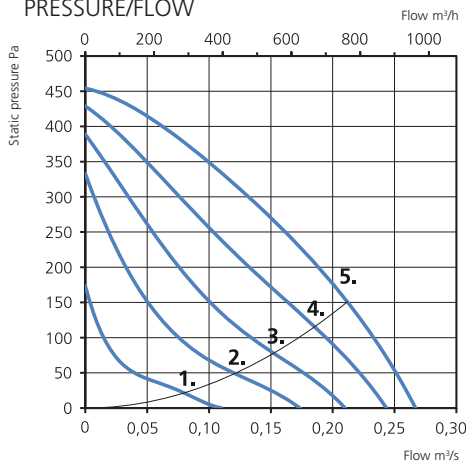
7000427

- Duct fan with circular connections.
- Proven performance and reliability.
- Compact with high capacity and efficiency.
- Low sound levels.
- Operational in both 50 and 60 Hz.
- Impeller with backward curved blades.
- The external rotor motor has maintenance-free sealed ball-bearings and is very energy efficient.
- For speed control a transformer or electronic speed controller can be connected.

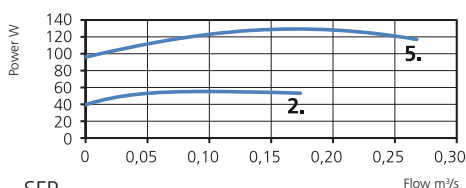
- Integrated motor protection.
- Junction box has enclosure class IP 54.
- Fan housing is manufactured from galvanized sheet steel.
- The fan is intended to be installed in a duct system.
- A duct connected fan can be installed outside or in damp environments.
- Easy installation in any position.



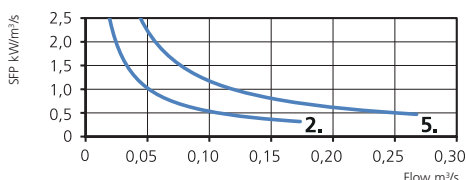
PRESSURE/FLOW



POWER/FLOW



SFP



TECHNICAL DATA

| | |
|------------------------------|---------------|
| Voltage | 230 V |
| Frequency | 50 Hz (60 Hz) |
| Phase | 1 ~ |
| Current | 0.57 A |
| Power | 129 W |
| Speed | 2630 r.p.m. |
| Capacitor | 4 µF |
| Max. temp of transported air | 60 °C |
| Sound pressure level, 3 m | 43 dB(A) |
| Weight | 4.1 kg |
| Wiring diagram | 4040001 |

ACCESSORIES

- Mounting bracket Kit MB
- Mounting clamp MK 200
- Safety grille BSV 200
- Back draught shutter RSK 200
- Louvre YG 200
- Louvre shutter VK 200
- Filterbox FLK 200
- Filterbox FLF 200
- Silencer LDC 200
- Transformer controller VRTE C
- Transformer controller VRDE 1.5
- Speed controller VRS 1.0
- Local Demand Controller Kit

SOUND DATA

| | L_{WA} tot dB (A) | 63 | 125 | 250 | 500 | 1K | 2K | 4K | 8K |
|---------------------|---------------------|----|-----|-----|-----|----|----|----|----|
| 5.Surrounding 230 V | 50 | 25 | 31 | 43 | 47 | 43 | 37 | 36 | 29 |
| 5.Outlet 230 V | 70 | 49 | 53 | 62 | 59 | 64 | 66 | 62 | 53 |
| 5.Inlet 230 V | 69 | 46 | 57 | 62 | 61 | 63 | 62 | 60 | 52 |
| 4.Inlet 165 V | 67 | 44 | 55 | 60 | 58 | 61 | 59 | 56 | 47 |
| 3.Inlet 135 V | 63 | 43 | 53 | 55 | 54 | 58 | 56 | 52 | 41 |
| 2.Inlet 110 V | 58 | 42 | 47 | 49 | 48 | 53 | 51 | 39 | 30 |
| 1.Inlet 80 V | 45 | 33 | 36 | 37 | 39 | 41 | 32 | 21 | 12 |

TRANSFORMER STEPS

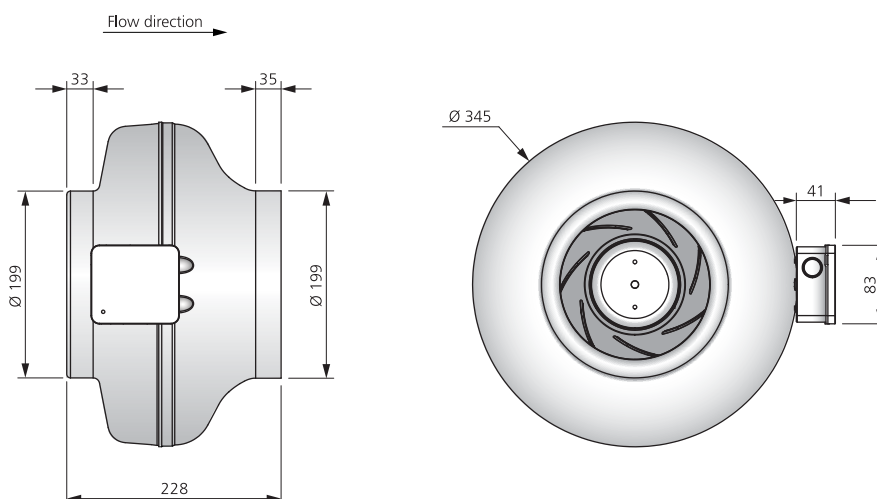
1. 80 V 2. 110 V 3. 135 V 4. 165 V 5. 230 V

MORE INFORMATION



Find out the latest updated information about this product by visiting www.ostberg.com or by scanning QR code.

DIMENSIONS (mm)





- Duct fan with circular connections.
- Proven performance and reliability.
- Compact with high capacity and efficiency.
- Low sound levels.
- Operational in both 50 and 60 Hz.
- Impeller with backward curved blades.
- The external rotor motor has maintenance-free sealed ball-bearings and is very energy efficient.
- For speed control a transformer or electronic speed controller can be connected.

- Integrated motor protection.
- Junction box has enclosure class IP 54.
- Fan housing is manufactured from galvanized sheet steel.
- The fan is intended to be installed in a duct system.
- A duct connected fan can be installed outside or in damp environments.
- Easy installation in any position.

ACCESSORIES

- Mounting bracket Kit MB
- Mounting clamp MK 200
- Safety grille BSV 200
- Back draught shutter RSK 200
- Louvre YG 200
- Louvre shutter VK 200
- Filterbox FLK 200
- Filterbox FLF 200
- Silencer LDC 200
- Transformer controller VRTE C
- Transformer controller VRDE 1.5
- Speed controller VRS 1.0

TECHNICAL DATA

| | |
|-------------------------------------|---------------|
| Voltage | 230 V |
| Frequency | 50 Hz (60 Hz) |
| Phase | 1 ~ |
| Current | 0.63 A |
| Power | 145 W |
| Speed | 2750 r.p.m. |
| Capacitor | 5 µF |
| Max. temp of transported air | 80 °C |
| Sound pressure level, 3 m | 45 dB(A) |
| Weight | 4.7 kg |
| Wiring diagram | 4040001 |

SOUND DATA

| | L_{wa} tot dB (A) | 63 | 125 | 250 | 500 | 1K | 2K | 4K | 8K |
|----------------------------|---------------------|----|-----|-----|-----|----|----|----|----|
| 5.Surrounding 230 V | 52 | 27 | 34 | 41 | 46 | 48 | 43 | 44 | 35 |
| 5.Outlet 230 V | 75 | 57 | 61 | 69 | 69 | 67 | 66 | 64 | 59 |
| 5.Inlet 230 V | 74 | 54 | 63 | 68 | 69 | 66 | 63 | 62 | 57 |
| 4.Inlet 165 V | 70 | 51 | 59 | 65 | 64 | 62 | 59 | 58 | 49 |
| 3.Inlet 135 V | 61 | 45 | 54 | 56 | 56 | 52 | 51 | 45 | 35 |
| 2.Inlet 110 V | 52 | 37 | 48 | 45 | 45 | 42 | 34 | 25 | 18 |
| 1.Inlet 80 V | 47 | 38 | 45 | 39 | 36 | 30 | 18 | 12 | 13 |

MORE INFORMATION

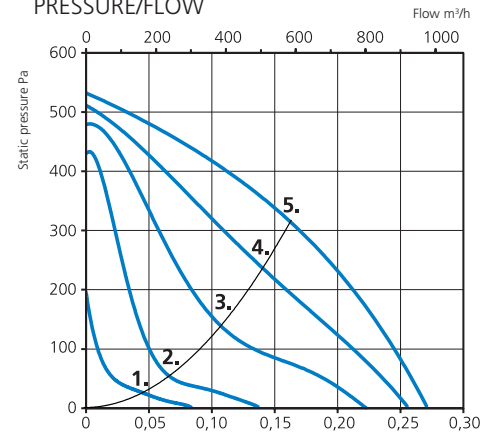


Find out the latest updated information about this product by visiting www.ostberg.com or by scanning QR code.

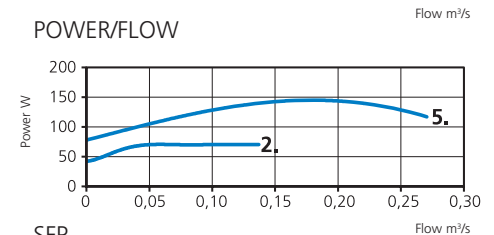
TRANSFORMER STEPS

1. 80 V 2. 110 V 3. 135 V 4. 165 V 5. 230 V

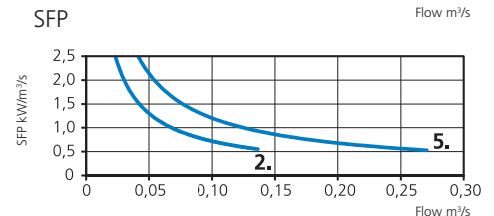
PRESSURE/FLOW



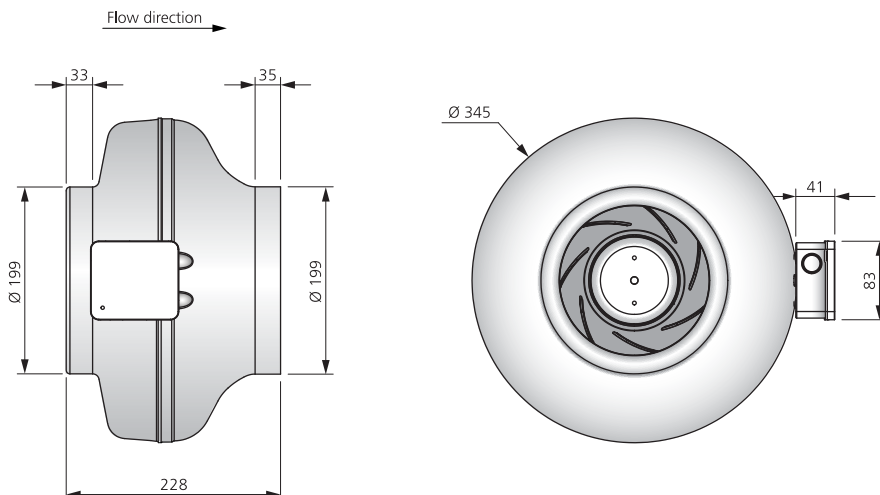
POWER/FLOW



SFP



DIMENSIONS (mm)



NON INSULATED DUCT FAN WITH CIRCULAR CONNECTIONS

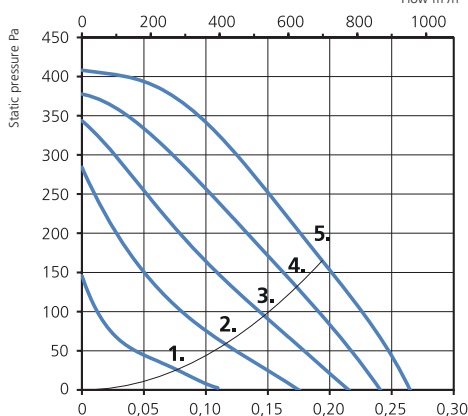
CK 250 A

7000433

- Duct fan with circular connections.
- Proven performance and reliability.
- Compact with high capacity and efficiency.
- Low sound levels.
- Operational in both 50 and 60 Hz.
- Impeller with backward curved blades.
- The external rotor motor has maintenance-free sealed ball-bearings and is very energy efficient.
- For speed control a transformer or electronic speed controller can be connected.
- Integrated motor protection.
- Junction box has enclosure class IP 54.
- Fan housing is manufactured from galvanized sheet steel.
- The fan is intended to be installed in a duct system.
- A duct connected fan can be installed outside or in damp environments.
- Easy installation in any position.



PRESSURE/FLOW



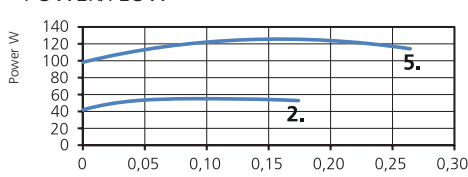
TECHNICAL DATA

| | |
|-------------------------------------|---------------|
| Voltage | 230 V |
| Frequency | 50 Hz (60 Hz) |
| Phase | 1 ~ |
| Current | 0.56 A |
| Power | 126 W |
| Speed | 2650 r.p.m. |
| Capacitor | 4 µF |
| Max. temp of transported air | 60 °C |
| Sound pressure level, 3 m | 44 dB(A) |
| Weight | 4.0 kg |
| Wiring diagram | 4040001 |

ACCESSORIES

- Mounting bracket Kit MB
- Mounting clamp MK 250
- Safety grille BSV 250
- Back draught shutter RSK 250
- Louvre YG 250
- Louvre shutter VK 250
- Filterbox FLK 250
- Filterbox FLF 250
- Silencer LDC 250
- Transformer controller VRTE C
- Transformer controller VRDE 1.5
- Speed controller VRS 1.0

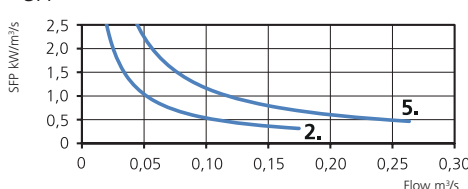
POWER/FLOW



SOUND DATA

| | L _{WA} tot dB (A) | 63 | 125 | 250 | 500 | 1K | 2K | 4K | 8K |
|----------------------------|----------------------------|----|-----|-----|-----|----|----|----|----|
| 5.Surrounding 230 V | 50 | 25 | 31 | 43 | 47 | 43 | 37 | 36 | 29 |
| 5.Outlet 230 V | 76 | 55 | 59 | 68 | 65 | 70 | 72 | 68 | 59 |
| 5.Inlet 230 V | 75 | 52 | 63 | 68 | 67 | 69 | 68 | 66 | 58 |
| 4.Inlet 165 V | 73 | 50 | 61 | 66 | 64 | 67 | 65 | 62 | 53 |
| 3.Inlet 135 V | 69 | 49 | 59 | 61 | 60 | 64 | 62 | 58 | 47 |
| 2.Inlet 110 V | 64 | 48 | 53 | 55 | 54 | 59 | 58 | 45 | 36 |
| 1.Inlet 80 V | 51 | 39 | 43 | 43 | 45 | 47 | 38 | 27 | 18 |

SFP



TRANSFORMER STEPS

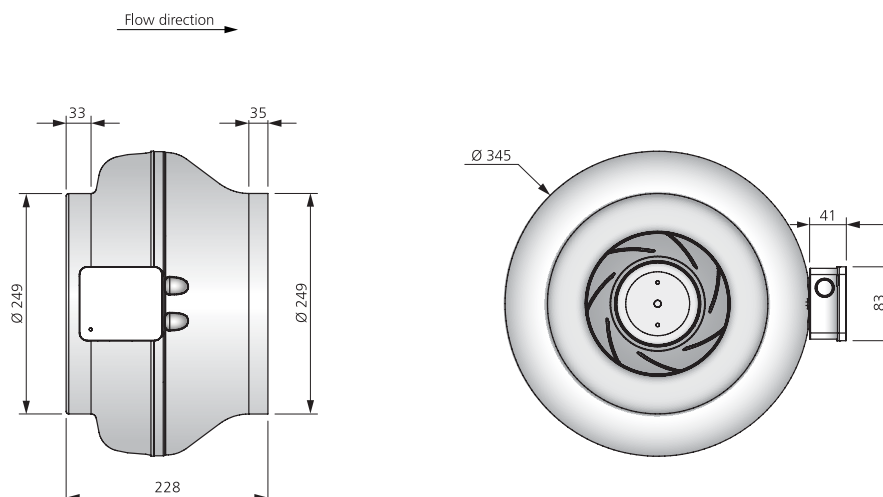
1. 80 V 2. 110 V 3. 135 V 4. 165 V 5. 230 V

MORE INFORMATION



Find out the latest updated information about this product by visiting www.ostberg.com or by scanning QR code.

DIMENSIONS (mm)





- Duct fan with circular connections.
- Proven performance and reliability.
- Compact with high capacity and efficiency.
- Low sound levels.
- Operational in both 50 and 60 Hz.
- Impeller with backward curved blades.
- The external rotor motor has maintenance-free sealed ball-bearings and is very energy efficient.
- For speed control a transformer or electronic speed controller can be connected.

- Integrated motor protection.
- Junction box has enclosure class IP 54.
- Fan housing is manufactured from galvanized sheet steel.
- The fan is intended to be installed in a duct system.
- A duct connected fan can be installed outside or in damp environments.
- Easy installation in any position.

ACCESSORIES

- Mounting bracket Kit MB
- Mounting clamp MK 250
- Safety grille BSV 250
- Back draught shutter RSK 250
- Louvre YG 250
- Louvre shutter VK 250
- Filterbox FLK 250
- Filterbox FLF 250
- Silencer LDC 250
- Transformer controller VRTE C
- Transformer controller VRDE 1.5
- Speed controller VRS 1.0

TECHNICAL DATA

| | |
|-------------------------------------|---------------|
| Voltage | 230 V |
| Frequency | 50 Hz (60 Hz) |
| Phase | 1 ~ |
| Current | 0.63 A |
| Power | 145 W |
| Speed | 2750 r.p.m. |
| Capacitor | 5 µF |
| Max. temp of transported air | 80 °C |
| Sound pressure level, 3 m | 46 dB(A) |
| Weight | 4.6 kg |
| Wiring diagram | 4040001 |

SOUND DATA

| | L_{WA} tot dB (A) | 63 | 125 | 250 | 500 | 1K | 2K | 4K | 8K |
|----------------------------|---------------------|----|-----|-----|-----|----|----|----|----|
| 5.Surrounding 230 V | 53 | 30 | 32 | 42 | 46 | 49 | 45 | 43 | 38 |
| 5.Outlet 230 V | 76 | 57 | 61 | 71 | 66 | 69 | 67 | 65 | 63 |
| 5.Inlet 230 V | 75 | 54 | 61 | 67 | 67 | 70 | 66 | 64 | 66 |
| 4.Inlet 165 V | 71 | 51 | 59 | 64 | 63 | 65 | 61 | 61 | 61 |
| 3.Inlet 135 V | 64 | 47 | 52 | 57 | 56 | 57 | 55 | 59 | 44 |
| 2.Inlet 110 V | 54 | 41 | 46 | 47 | 46 | 45 | 48 | 38 | 27 |
| 1.Inlet 80 V | 48 | 33 | 40 | 45 | 41 | 36 | 33 | 23 | 20 |

MORE INFORMATION

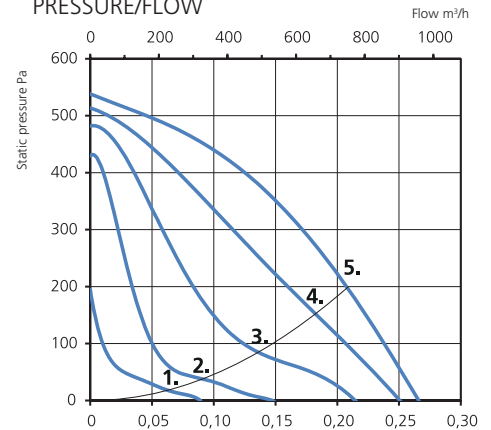


Find out the latest updated information about this product by visiting www.ostberg.com or by scanning QR code.

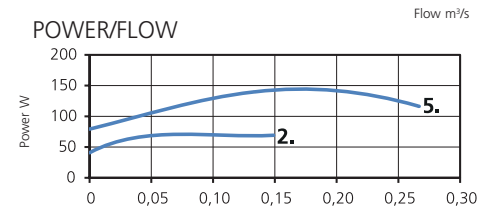
TRANSFORMER STEPS

1. 80 V 2. 110 V 3. 135 V 4. 165 V 5. 230 V

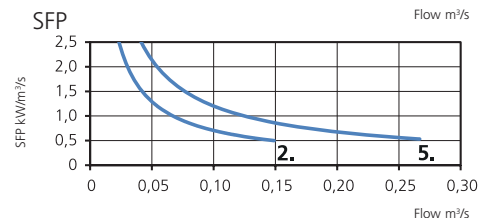
PRESSURE/FLOW



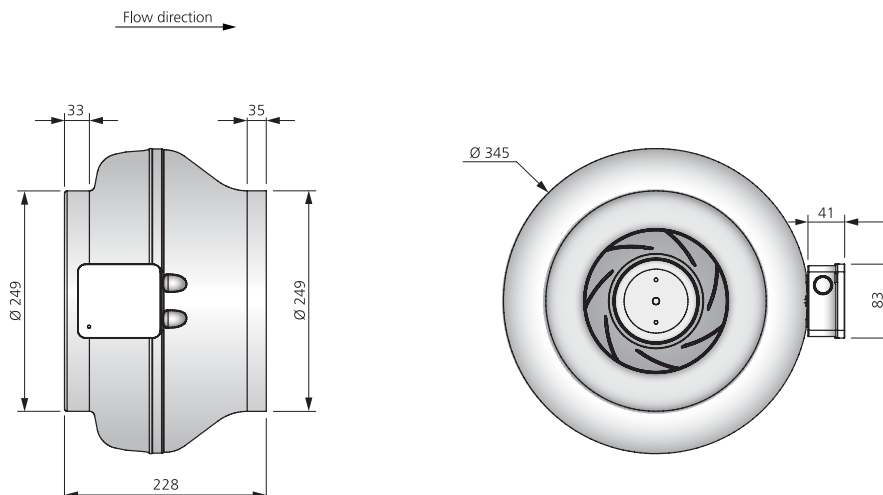
POWER/FLOW



SFP



DIMENSIONS (mm)



NON INSULATED DUCT FAN WITH CIRCULAR CONNECTIONS

CK 315 B

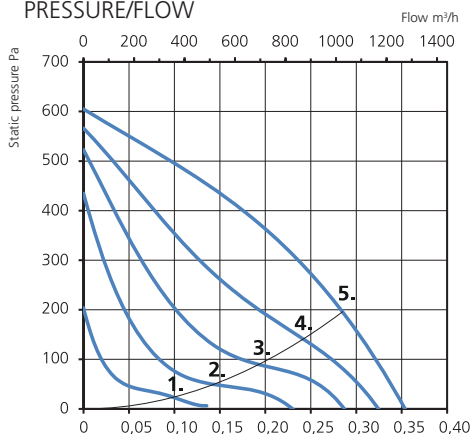
7000067

- Duct fan with circular connections.
- Proven performance and reliability.
- Compact with high capacity and efficiency.
- Low sound levels.
- Impeller with backward curved blades.
- The external rotor motor has maintenance-free sealed ball-bearings.
- Integrated motor protection.
- Junction box has enclosure class IP 54.
- For speed control a transformer or electronic speed controller can be connected.
- Fan housing is manufactured from galvanized sheet steel.
- The fan is intended to be installed in a duct system.
- When duct connected the fan can be installed outside or in damp environments.
- Easy installation in any position.

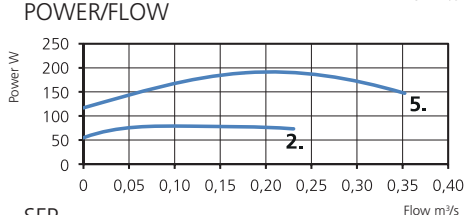


This product is not sold within the EU.

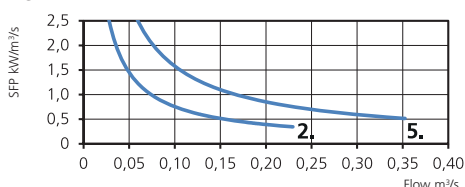
PRESSURE/FLOW



POWER/FLOW



SFP



TECHNICAL DATA

| | |
|-------------------------------------|-------------|
| Voltage | 230 V |
| Frequency | 50 Hz |
| Phase | 1 ~ |
| Current | 0.84 A |
| Power | 192 W |
| Speed | 2590 r.p.m. |
| Capacitor | 5 µF |
| Max. temp of transported air | 65 °C |
| Sound pressure level, 3 m | 46 dB(A) |
| Weight | 5.8 kg |
| Wiring diagram | 4040001 |

ACCESSORIES

- Mounting bracket Kit MB
- Mounting clamp MK 315
- Safety grille BSV 315
- Back draught shutter RSK 315
- Louvre YG 315
- Louvre shutter VK 315
- Filterbox FLK 315
- Filterbox FLF 315
- Silencer LDC 315
- Transformer controller VRTE C
- Transformer controller VRDE 1.5
- Speed controller VRS 1.0
- Speed controller VRS 2.0

SOUND DATA

| | L_{wa} tot dB (A) | 63 | 125 | 250 | 500 | 1K | 2K | 4K | 8K |
|----------------------------|---------------------|----|-----|-----|-----|----|----|----|----|
| 5.Surrounding 230 V | 53 | 30 | 44 | 41 | 48 | 44 | 45 | 43 | 34 |
| 5.Outlet 230 V | 77 | 57 | 58 | 73 | 65 | 66 | 69 | 69 | 64 |
| 5.Inlet 230 V | 74 | 52 | 57 | 62 | 62 | 63 | 69 | 69 | 66 |
| 4.Inlet 165 V | 70 | 49 | 54 | 59 | 59 | 60 | 66 | 64 | 62 |
| 3.Inlet 135 V | 66 | 45 | 50 | 54 | 55 | 55 | 62 | 60 | 48 |
| 2.Inlet 110 V | 60 | 40 | 48 | 46 | 47 | 49 | 54 | 57 | 33 |
| 1.Inlet 80 V | 48 | 34 | 39 | 38 | 38 | 44 | 42 | 26 | 19 |

TRANSFORMER STEPS

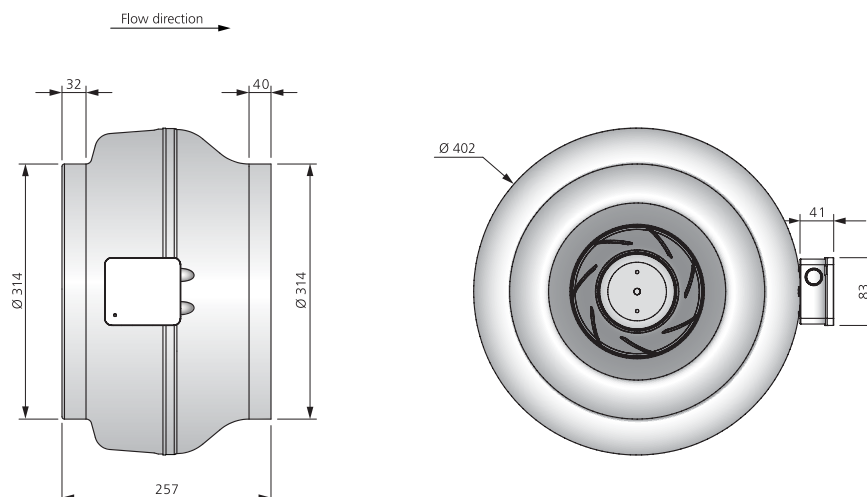
1. 80 V 2. 110 V 3. 135 V 4. 165 V 5. 230 V

MORE INFORMATION



Find out the latest updated information about this product by visiting www.ostberg.com or by scanning QR code.

DIMENSIONS (mm)





- Duct fan with circular connections.
- Proven performance and reliability.
- Compact with high capacity and efficiency.
- Low sound levels.
- Operational in both 50 and 60 Hz.
- Impeller with backward curved blades.
- The external rotor motor has maintenance-free sealed ball-bearings and is very energy efficient.
- For speed control a transformer or electronic speed controller can be connected.

- Integrated motor protection.
- Junction box has enclosure class IP 54.
- Fan housing is manufactured from galvanized sheet steel.
- The fan is intended to be installed in a duct system.
- A duct connected fan can be installed outside or in damp environments.
- Easy installation in any position.

ACCESSORIES

- Mounting bracket Kit MB
- Mounting clamp MK 315
- Safety grille BSV 315
- Back draught shutter RSK 315
- Louvre YG 315
- Louvre shutter VK 315
- Filterbox FLK 315
- Filterbox FLF 315
- Silencer LDC 315
- Transformer controller VRTE 1
- Transformer controller VRDE 1.5
- Speed controller VRS 2.0

TECHNICAL DATA

| | |
|-------------------------------------|---------------|
| Voltage | 230 V |
| Frequency | 50 Hz (60 Hz) |
| Phase | 1 ~ |
| Current | 0.87 A |
| Power | 197 W |
| Speed | 2660 r.p.m. |
| Capacitor | 6 µF |
| Max. temp of transported air | 80 °C |
| Sound pressure level, 3 m | 47 dB(A) |
| Weight | 6.1 kg |
| Wiring diagram | 4040001 |

SOUND DATA

| | L_{wa} tot dB (A) | 63 | 125 | 250 | 500 | 1K | 2K | 4K | 8K |
|----------------------------|---------------------|----|-----|-----|-----|----|----|----|----|
| 5.Surrounding 230 V | 54 | 33 | 41 | 45 | 46 | 48 | 49 | 46 | 37 |
| 5.Outlet 230 V | 78 | 56 | 60 | 72 | 67 | 71 | 72 | 70 | 65 |
| 5.Inlet 230 V | 76 | 56 | 59 | 66 | 66 | 67 | 70 | 70 | 64 |
| 4.Inlet 165 V | 72 | 50 | 56 | 64 | 64 | 65 | 66 | 66 | 60 |
| 3.Inlet 135 V | 67 | 46 | 54 | 58 | 60 | 59 | 60 | 59 | 51 |
| 2.Inlet 110 V | 56 | 40 | 46 | 49 | 51 | 48 | 48 | 44 | 33 |
| 1.Inlet 80 V | 48 | 35 | 41 | 42 | 42 | 40 | 37 | 31 | 27 |

MORE INFORMATION

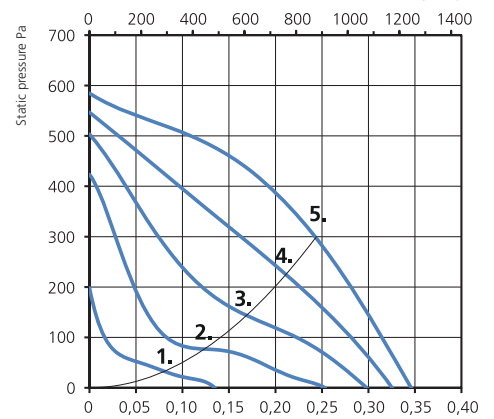


Find out the latest updated information about this product by visiting www.ostberg.com or by scanning QR code.

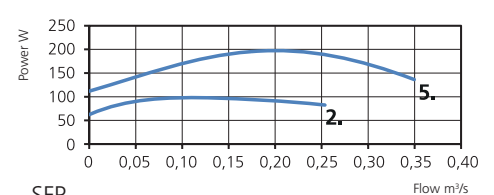
TRANSFORMER STEPS

1. 80 V 2. 110 V 3. 135 V 4. 165 V 5. 230 V

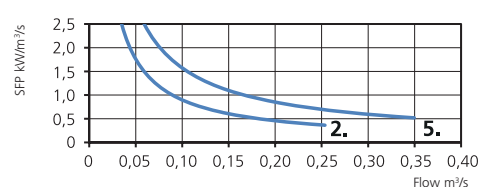
PRESSURE/FLOW



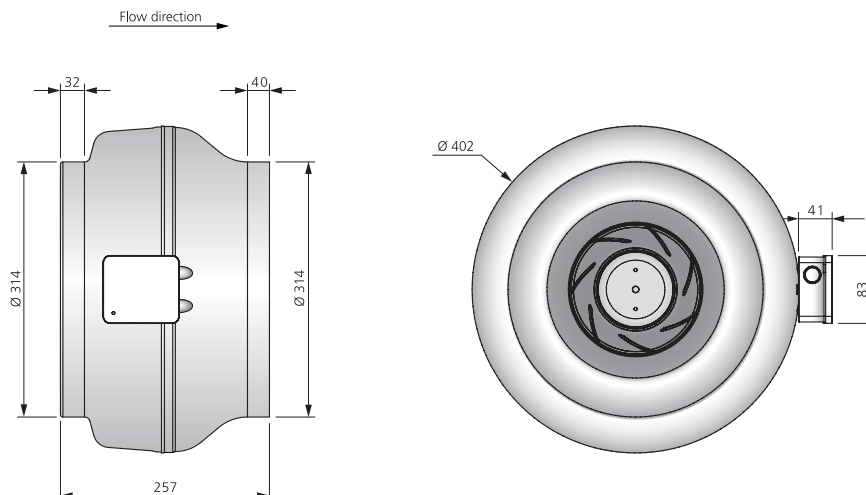
POWER/FLOW



SFP



DIMENSIONS (mm)



NON INSULATED DUCT FAN WITH CIRCULAR CONNECTIONS

CK 315 C

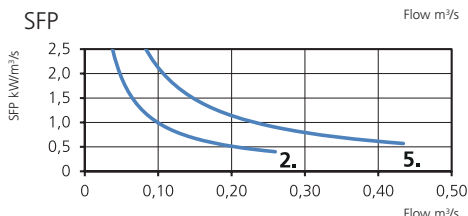
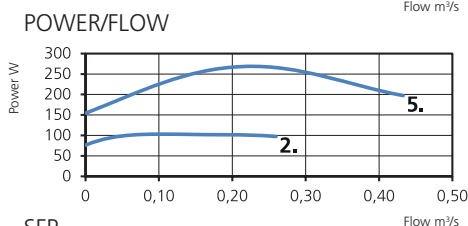
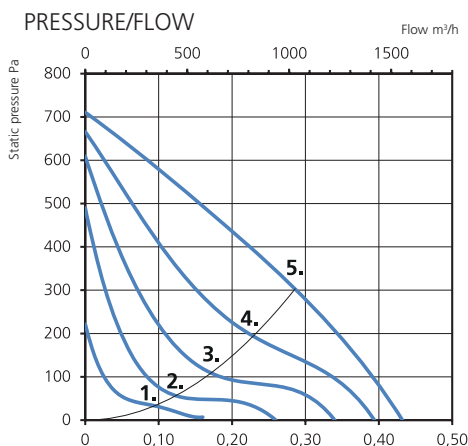
7000071

- Duct fan with circular connections.
- Proven performance and reliability.
- Compact with high capacity and efficiency.
- Low sound levels.
- Impeller with backward curved blades.
- The external rotor motor has maintenance-free sealed ball-bearings.
- Integrated motor protection.
- Junction box has enclosure class IP 54.

- For speed control a transformer or electronic speed controller can be connected.
- Fan housing is manufactured from galvanized sheet steel.
- The fan is intended to be installed in a duct system.
- When duct connected the fan can be installed outside or in damp environments.
- Easy installation in any position.



This product is not sold within the EU.



TECHNICAL DATA

| | |
|-------------------------------------|-------------|
| Voltage | 230 V |
| Frequency | 50 Hz |
| Phase | 1 ~ |
| Current | 1.18 A |
| Power | 269 W |
| Speed | 2550 r.p.m. |
| Capacitor | 8 µF |
| Max. temp of transported air | 60 °C |
| Sound pressure level, 3 m | 47 dB(A) |
| Weight | 6.0 kg |
| Wiring diagram | 4040001 |

ACCESSORIES

- Mounting bracket Kit MB
- Mounting clamp MK 315
- Safety grille BSV 315
- Back draught shutter RSK 315
- Louvre YG 315
- Louvre shutter VK 315
- Filterbox FLK 315
- Filterbox FLF 315
- Silencer LDC 315
- Transformer controller VRTE 1
- Transformer controller VRDE 1.5
- Speed controller VRS 2.0

SOUND DATA

| | L_{wa} tot dB (A) | 63 | 125 | 250 | 500 | 1K | 2K | 4K | 8K |
|----------------------------|---------------------|----|-----|-----|-----|----|----|----|----|
| 5.Surrounding 230 V | 54 | 32 | 40 | 41 | 46 | 46 | 52 | 42 | 34 |
| 5.Outlet 230 V | 78 | 56 | 60 | 64 | 70 | 71 | 73 | 70 | 70 |
| 5.Inlet 230 V | 77 | 53 | 60 | 64 | 67 | 67 | 72 | 70 | 71 |
| 4.Inlet 165 V | 73 | 49 | 56 | 61 | 63 | 63 | 69 | 65 | 66 |
| 3.Inlet 135 V | 66 | 46 | 52 | 57 | 56 | 57 | 61 | 61 | 51 |
| 2.Inlet 110 V | 59 | 41 | 47 | 51 | 50 | 51 | 53 | 53 | 40 |
| 1.Inlet 80 V | 49 | 35 | 42 | 42 | 41 | 42 | 42 | 34 | 31 |

TRANSFORMER STEPS

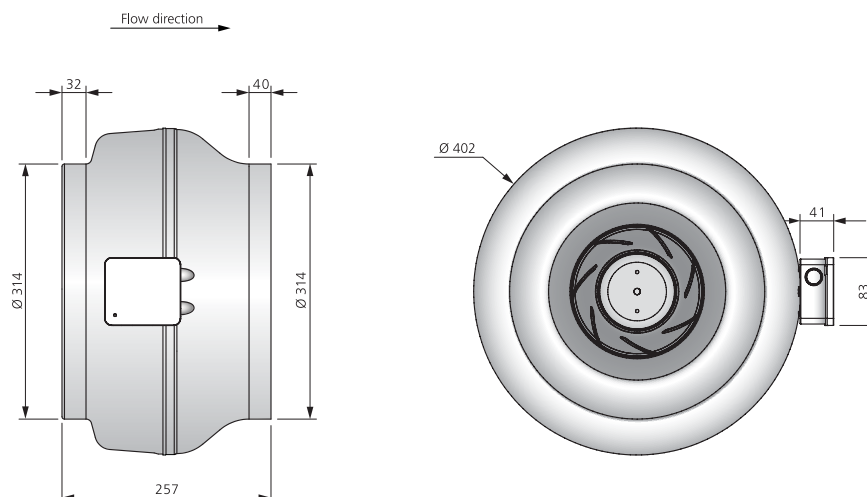
1. 80 V 2. 110 V 3. 135 V 4. 165 V 5. 230 V

MORE INFORMATION



Find out the latest updated information about this product by visiting www.ostberg.com or by scanning QR code.

DIMENSIONS (mm)





- Duct fan with circular connections.
- Proven performance and reliability.
- Compact with high capacity and efficiency.
- Low sound levels.
- Operational in both 50 and 60 Hz.
- Impeller with backward curved blades.
- The external rotor motor has maintenance-free sealed ball-bearings and is very energy efficient.
- For speed control a transformer or electronic speed controller can be connected.

- Integrated motor protection.
- Junction box has enclosure class IP 54.
- Fan housing is manufactured from galvanized sheet steel.
- The fan is intended to be installed in a duct system.
- When duct connected the fan can be installed outside or in damp environments.
- Easy installation in any position.

ACCESSORIES

- Mounting bracket Kit MB
- Mounting clamp MK 315
- Safety grille BSV 315
- Back draught shutter RSK 315
- Louvre YG 315
- Louvre shutter VK 315
- Filterbox FLK 315
- Filterbox FLF 315
- Silencer LDC 315
- Transformer controller VRTE 1
- Transformer controller VRDE 1.5

TECHNICAL DATA

| | |
|-------------------------------------|---------------|
| Voltage | 230 V |
| Frequency | 50 Hz (60 Hz) |
| Phase | 1 ~ |
| Current | 0.90 A |
| Power | 205 W |
| Speed | 2670 r.p.m. |
| Capacitor | 6 µF |
| Max. temp of transported air | 80 °C |
| Sound pressure level, 3 m | 46 dB(A) |
| Weight | 5.9 kg |
| Wiring diagram | 4040001 |

SOUND DATA

| | L_{wa} tot dB (A) | 63 | 125 | 250 | 500 | 1K | 2K | 4K | 8K |
|----------------------------|---------------------|----|-----|-----|-----|----|----|----|----|
| 5.Surrounding 230 V | 53 | 25 | 38 | 39 | 50 | 44 | 46 | 42 | 34 |
| 5.Outlet 230 V | 73 | 57 | 58 | 69 | 62 | 64 | 66 | 65 | 58 |
| 5.Inlet 230 V | 72 | 56 | 58 | 64 | 62 | 63 | 66 | 65 | 58 |
| 4.Inlet 165 V | 66 | 52 | 54 | 59 | 57 | 57 | 62 | 55 | 52 |
| 3.Inlet 135 V | 58 | 46 | 47 | 52 | 50 | 49 | 53 | 45 | 38 |
| 2.Inlet 110 V | 50 | 41 | 43 | 44 | 42 | 43 | 38 | 33 | 33 |
| 1.Inlet 80 V | 40 | 33 | 34 | 34 | 30 | 25 | 24 | 27 | 27 |

MORE INFORMATION

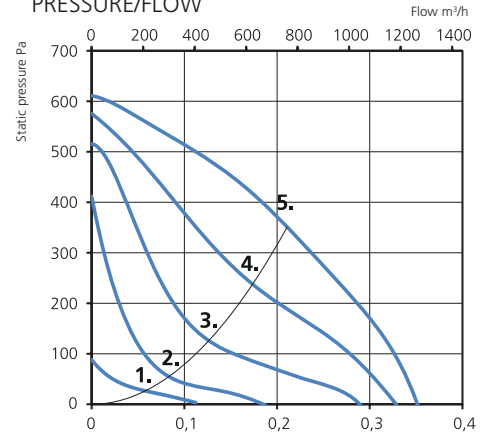


Find out the latest updated information about this product by visiting www.ostberg.com or by scanning QR code.

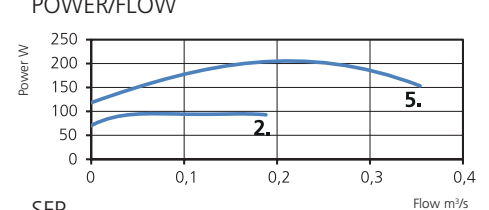
TRANSFORMER STEPS

1. 80 V 2. 110 V 3. 135 V 4. 165 V 5. 230 V

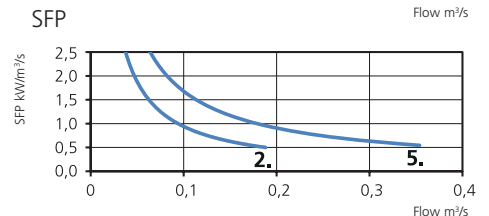
PRESSURE/FLOW



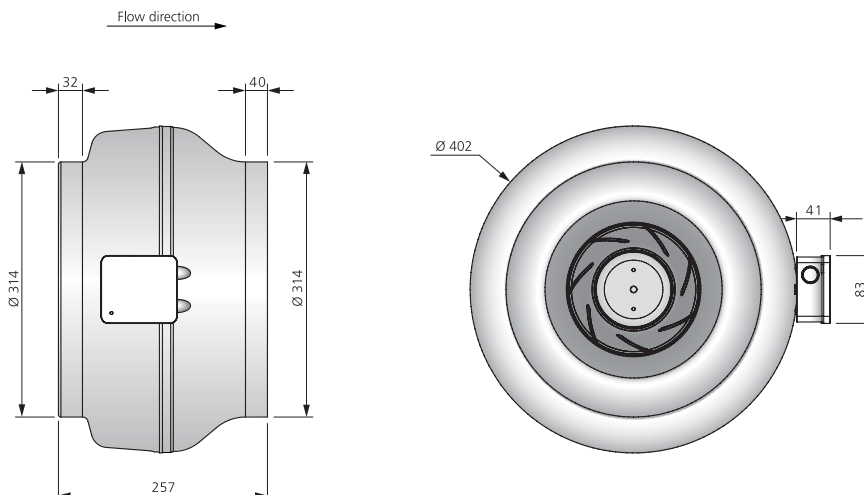
POWER/FLOW



SFP



DIMENSIONS (mm)



NON INSULATED DUCT FAN WITH CIRCULAR CONNECTIONS

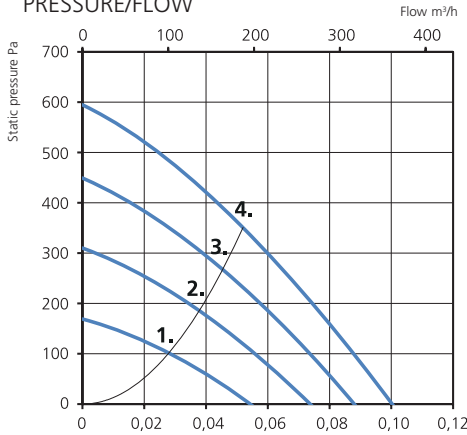
CK 100 C EC

7001181

- Duct fan with circular connections.
- Proven performance and reliability.
- Compact with high capacity and efficiency.
- Low sound levels.
- Impeller with backward curved blades.
- The external rotor motor has maintenance-free sealed ball-bearings and is very energy efficient.
- Speed controlling can be done with the built-in potentiometer, 0-10 V alt. external control.
- Integrated motor protection.
- Junction box has enclosure class IP 54.
- Fan housing is manufactured from galvanized sheet steel.
- The fan is intended to be installed in a duct system.
- A duct connected fan can be installed outside or in damp environments.
- Easy installation in any position.



PRESSURE/FLOW



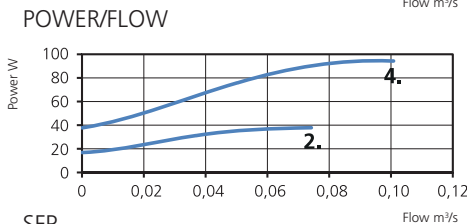
TECHNICAL DATA

| | |
|-------------------------------------|-------------|
| Voltage | 230 V |
| Frequency | 50/60 Hz |
| Phase | 1 ~ |
| Current | 0.75 A |
| Power | 93 W |
| Speed | 3560 r.p.m. |
| Capacitor | |
| Max. temp of transported air | 60 °C |
| Sound pressure level, 3 m | 45 dB(A) |
| Weight | 2.5 kg |
| Wiring diagram | 4040180 |

ACCESSORIES

- Mounting bracket Kit MB
- Mounting clamp MK 100
- Safety grille BSV 100
- Back draught shutter RSK 100
- Louvre YG 100
- Louvre shutter VK 100
- Filterbox FLK 100
- Filterbox FLF 100
- Silencer LDC 100
- Speed controller MS EC
- Pressure regulator CALAIR-PR-230V
- Pressure regulator FKP-R

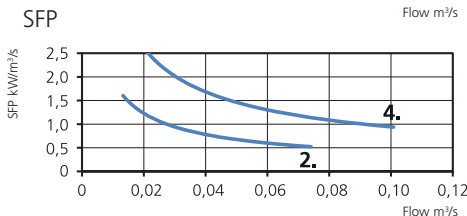
POWER/FLOW



SOUND DATA

| | L_{wa} tot dB (A) | 63 | 125 | 250 | 500 | 1K | 2K | 4K | 8K |
|---------------------------|---------------------|----|-----|-----|-----|----|----|----|----|
| 4.Surrounding 10 V | 52 | 31 | 31 | 43 | 43 | 48 | 45 | 44 | 36 |
| 4.Outlet 10 V | 78 | 61 | 68 | 72 | 71 | 71 | 71 | 67 | 59 |
| 4.Inlet 10 V | 78 | 58 | 69 | 71 | 72 | 72 | 69 | 66 | 57 |
| 3.Inlet 8 V | 74 | 59 | 64 | 68 | 68 | 68 | 65 | 61 | 52 |
| 2.Inlet 7 V | 70 | 56 | 61 | 65 | 64 | 63 | 60 | 56 | 45 |
| 1.Inlet 5 V | 63 | 53 | 53 | 57 | 56 | 55 | 52 | 45 | 33 |

SFP



CONTROL VOLTAGE

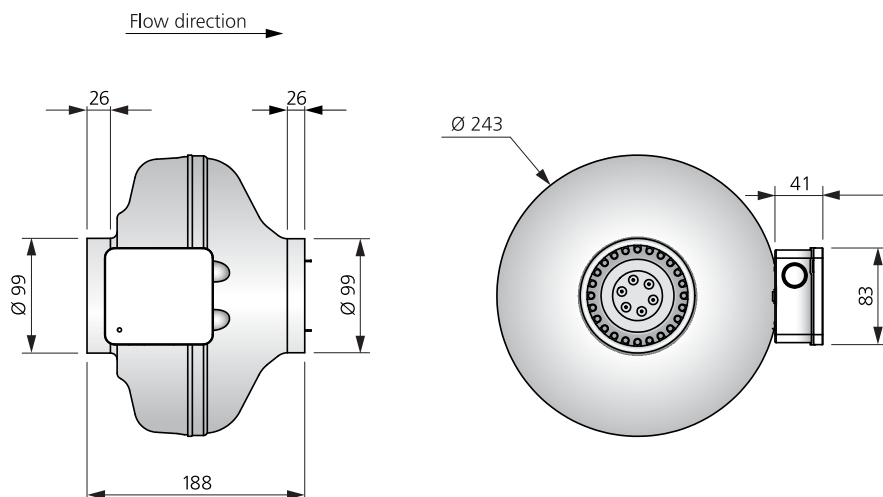
1. 5 V 2. 7 V 3. 8 V 4. 10 V

MORE INFORMATION



Find out the latest updated information about this product by visiting www.ostberg.com or by scanning QR code.

DIMENSIONS (mm)





- Duct fan with circular connections.
- Proven performance and reliability.
- Compact with high capacity and efficiency.
- Low sound levels.
- Impeller with backward curved blades.
- The external rotor motor has maintenance-free sealed ball-bearings and is very energy efficient.
- Speed controlling can be done with the built-in potentiometer, 0-10 V alt. external control.

- Integrated motor protection.
- Junction box has enclosure class IP 54.
- Fan housing is manufactured from galvanized sheet steel.
- The fan is intended to be installed in a duct system.
- A duct connected fan can be installed outside or in damp environments.
- Easy installation in any position.

ACCESSORIES

- Mounting bracket Kit MB
- Mounting clamp MK 125
- Safety grille BSV 125
- Back draught shutter RSK 125
- Louvre YG 125
- Louvre shutter VK 125
- Filterbox FLK 125
- Filterbox FLF 125
- Silencer LDC 125
- Speed controller MS EC
- Pressure regulator CALAIR-PR-230V
- Pressure regulator FKP-R

TECHNICAL DATA

| | |
|-------------------------------------|-------------|
| Voltage | 230 V |
| Frequency | 50/60 Hz |
| Phase | 1 ~ |
| Current | 0.87 A |
| Power | 104 W |
| Speed | 3580 r.p.m. |
| Capacitor | |
| Max. temp of transported air | 60 °C |
| Sound pressure level, 3 m | 44 dB(A) |
| Weight | 2.5 kg |
| Wiring diagram | 4040180 |

SOUND DATA

| | L_{WA} tot dB (A) | 63 | 125 | 250 | 500 | 1K | 2K | 4K | 8K |
|---------------------------|---------------------|----|-----|-----|-----|----|----|----|----|
| 4.Surrounding 10 V | 51 | 33 | 27 | 43 | 45 | 46 | 42 | 44 | 34 |
| 4.Outlet 10 V | 78 | 58 | 69 | 72 | 72 | 71 | 71 | 66 | 59 |
| 4.Inlet 10 V | 79 | 55 | 70 | 72 | 74 | 73 | 70 | 67 | 58 |
| 3.Inlet 8 V | 76 | 54 | 65 | 69 | 71 | 70 | 67 | 64 | 54 |
| 2.Inlet 7 V | 72 | 50 | 63 | 66 | 66 | 65 | 62 | 58 | 48 |
| 1.Inlet 5 V | 66 | 44 | 59 | 61 | 59 | 57 | 53 | 48 | 37 |

MORE INFORMATION

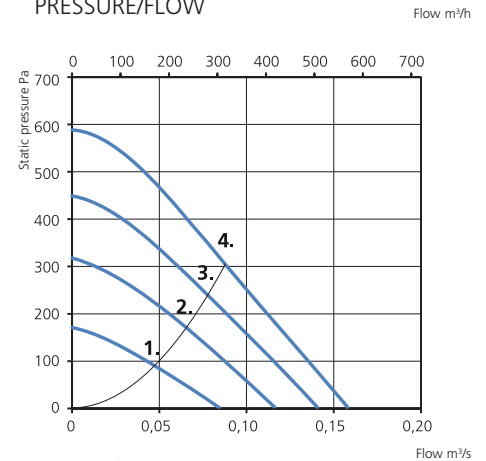


Find out the latest updated information about this product by visiting www.ostberg.com or by scanning QR code.

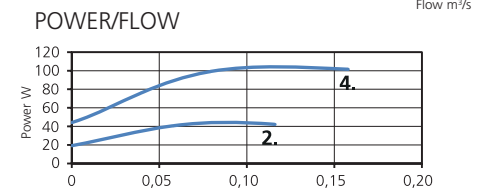
CONTROL VOLTAGE

1. 5 V 2. 7 V 3. 8 V 4. 10 V

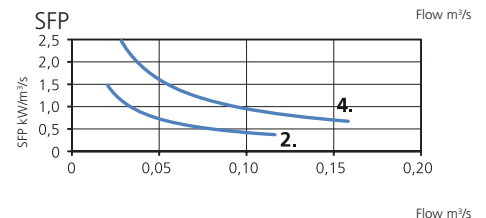
PRESSURE/FLOW



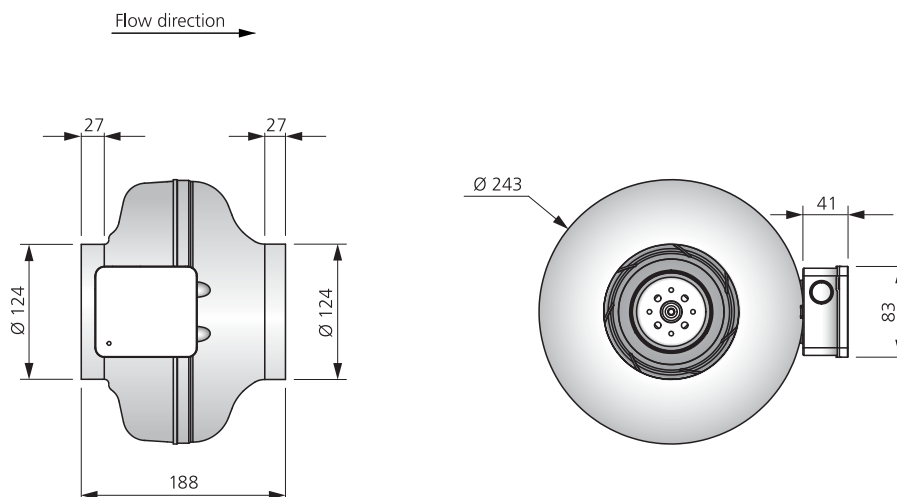
POWER/FLOW



SFP



DIMENSIONS (mm)



NON INSULATED DUCT FAN WITH CIRCULAR CONNECTIONS

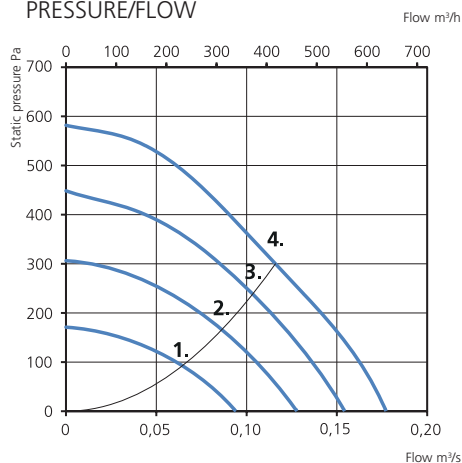
CK 150 B EC

7001189

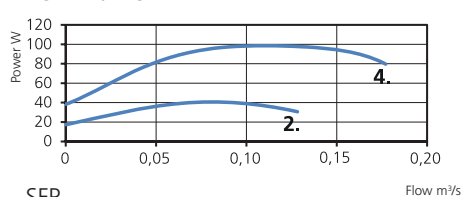
- Duct fan with circular connections.
- Proven performance and reliability.
- Compact with high capacity and efficiency.
- Low sound levels.
- Impeller with backward curved blades.
- The external rotor motor has maintenance-free sealed ball-bearings and is very energy efficient.
- Speed controlling can be done with the built-in potentiometer, 0-10 V alt. external control.
- Integrated motor protection.
- Junction box has enclosure class IP 54.
- Fan housing is manufactured from galvanized sheet steel.
- The fan is intended to be installed in a duct system.
- A duct connected fan can be installed outside or in damp environments.
- Easy installation in any position.



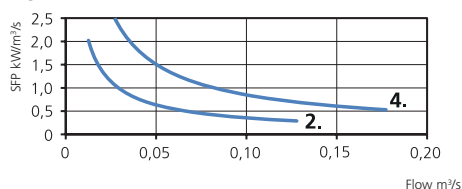
PRESSURE/FLOW



POWER/FLOW



SFP



TECHNICAL DATA

| | |
|-------------------------------------|-------------|
| Voltage | 230 V |
| Frequency | 50/60 Hz |
| Phase | 1 ~ |
| Current | 0.83 A |
| Power | 99 W |
| Speed | 3540 r.p.m. |
| Capacitor | |
| Max. temp of transported air | 60 °C |
| Sound pressure level, 3 m | 44 dB(A) |
| Weight | 2.6 kg |
| Wiring diagram | 4040180 |

ACCESSORIES

- Mounting bracket Kit MB
- Mounting clamp MK 150
- Safety grille BSV 150
- Back draught shutter RSK 150
- Louvre shutter VK 160
- Filterbox FLK 150
- Silencer LDC 150
- Speed controller MS EC
- Pressure regulator CALAIR-PR-230V
- Pressure regulator FKP-R

SOUND DATA

| | L_{WA} tot dB (A) | 63 | 125 | 250 | 500 | 1K | 2K | 4K | 8K |
|---------------------------|---------------------|----|-----|-----|-----|----|----|----|----|
| 4.Surrounding 10 V | 51 | 33 | 27 | 43 | 45 | 46 | 42 | 44 | 34 |
| 4.Outlet 10 V | 78 | 58 | 69 | 72 | 72 | 71 | 71 | 66 | 59 |
| 4.Inlet 10 V | 79 | 55 | 70 | 72 | 74 | 73 | 70 | 67 | 58 |
| 3.Inlet 8 V | 76 | 54 | 65 | 69 | 71 | 70 | 67 | 64 | 54 |
| 2.Inlet 7 V | 72 | 50 | 63 | 66 | 66 | 65 | 62 | 58 | 48 |
| 1.Inlet 5 V | 66 | 44 | 59 | 61 | 59 | 57 | 53 | 48 | 37 |

CONTROL VOLTAGE

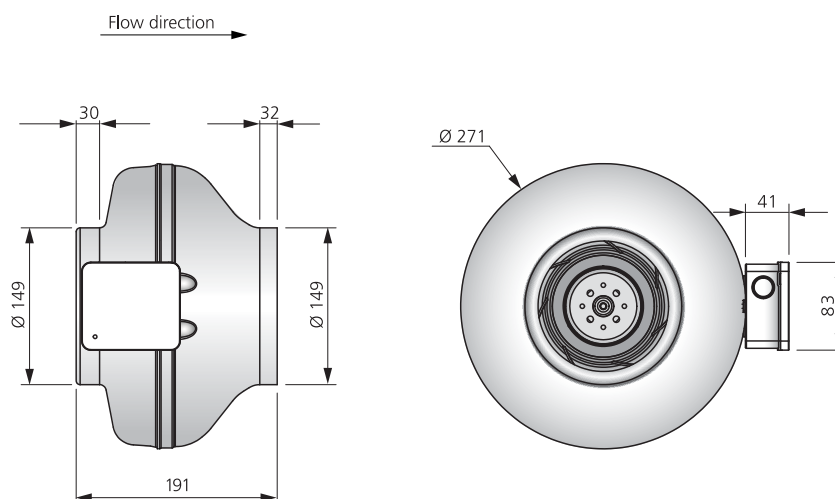
1. 5 V 2. 7 V 3. 8 V 4. 10 V

MORE INFORMATION



Find out the latest updated information about this product by visiting www.ostberg.com or by scanning QR code.

DIMENSIONS (mm)





- Duct fan with circular connections.
- Proven performance and reliability.
- Compact with high capacity and efficiency.
- Low sound levels.
- Impeller with backward curved blades.
- The external rotor motor has maintenance-free sealed ball-bearings and is very energy efficient.
- Speed controlling can be done with the built-in potentiometer, 0-10 V alt. external control.

- Integrated motor protection.
- Junction box has enclosure class IP 54.
- Fan housing is manufactured from galvanized sheet steel.
- The fan is intended to be installed in a duct system.
- A duct connected fan can be installed outside or in damp environments.
- Easy installation in any position.

ACCESSORIES

- Mounting bracket Kit MB
- Mounting clamp MK 160
- Safety grille BSV 160
- Back draught shutter RSK 160
- Louvre YG 160
- Louvre shutter VK 160
- Filterbox FLK 160
- Filterbox FLF 160
- Silencer LDC 160
- Speed controller MS EC
- Pressure regulator CALAIR-PR-230V
- Pressure regulator FKP-R

TECHNICAL DATA

| | |
|-------------------------------------|-------------|
| Voltage | 230 V |
| Frequency | 50/60 Hz |
| Phase | 1 ~ |
| Current | 0.79 A |
| Power | 100 W |
| Speed | 3530 r.p.m. |
| Capacitor | |
| Max. temp of transported air | 60 °C |
| Sound pressure level, 3 m | 45 dB(A) |
| Weight | 2.6 kg |
| Wiring diagram | 4040180 |

SOUND DATA

| L_{wa} tot dB (A) | 63 | 125 | 250 | 500 | 1K | 2K | 4K | 8K |
|---------------------------|----|-----|-----|-----|----|----|----|----|
| 4.Surrounding 10 V | 52 | 31 | 31 | 43 | 43 | 48 | 45 | 44 |
| 4.Outlet 10 V | 78 | 61 | 68 | 72 | 71 | 71 | 71 | 67 |
| 4.Inlet 10 V | 78 | 58 | 69 | 71 | 72 | 72 | 69 | 66 |
| 3.Inlet 8 V | 74 | 59 | 64 | 68 | 68 | 68 | 65 | 61 |
| 2.Inlet 7 V | 70 | 56 | 61 | 65 | 64 | 63 | 60 | 56 |
| 1.Inlet 5 V | 63 | 53 | 53 | 57 | 56 | 55 | 52 | 45 |

MORE INFORMATION

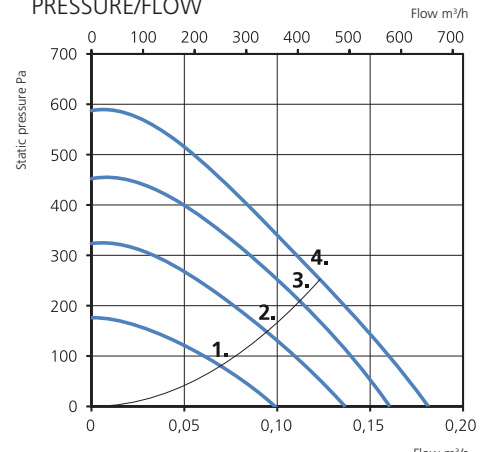


Find out the latest updated information about this product by visiting www.ostberg.com or by scanning QR code.

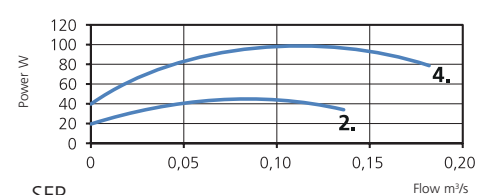
CONTROL VOLTAGE

1. 5 V 2. 7 V 3. 8 V 4. 10 V

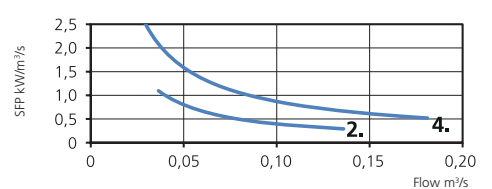
PRESSURE/FLOW



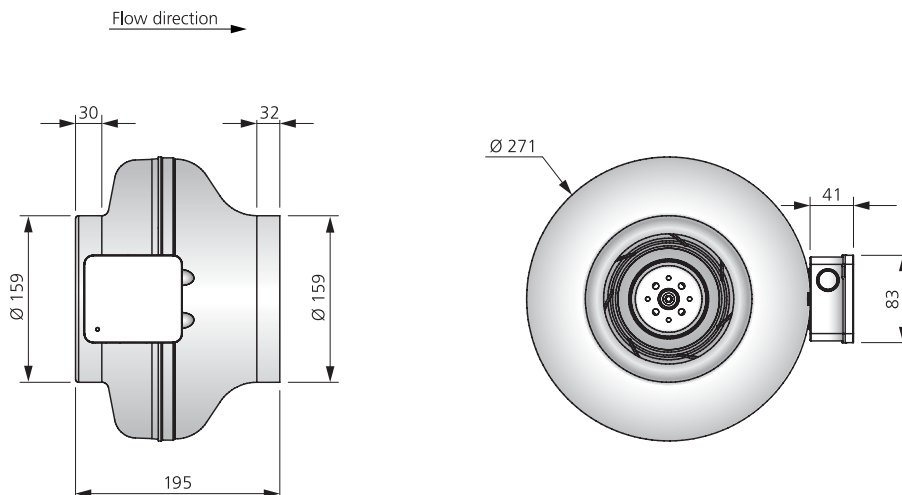
POWER/FLOW



SFP



DIMENSIONS (mm)



NON INSULATED DUCT FAN WITH CIRCULAR CONNECTIONS

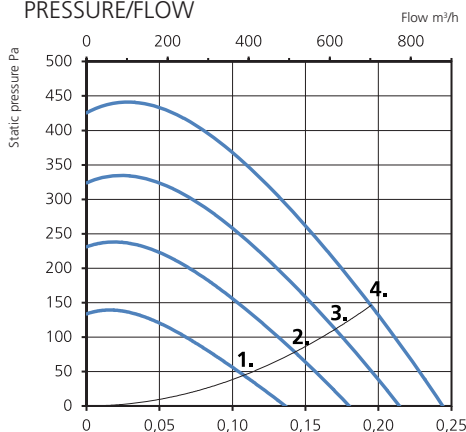
CK 160 C EC

7001104

- Duct fan with circular connections.
- Proven performance and reliability.
- Compact with high capacity and efficiency.
- Low sound levels.
- Impeller with backward curved blades.
- The external rotor motor has maintenance-free sealed ball-bearings and is very energy efficient.
- Speed controlling can be done with the built-in potentiometer, 0-10 V alt. external control.
- Integrated motor protection.
- Junction box has enclosure class IP 54.
- Fan housing is manufactured from galvanized sheet steel.
- The fan is intended to be installed in a duct system.
- A duct connected fan can be installed outside or in damp environments.
- Easy installation in any position.



PRESSURE/FLOW



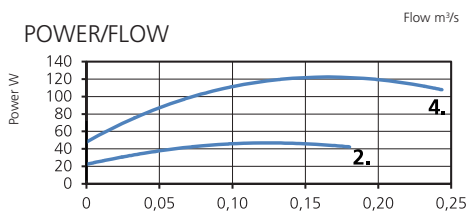
TECHNICAL DATA

| | |
|-------------------------------------|-------------|
| Voltage | 230 V |
| Frequency | 50/60 Hz |
| Phase | 1 ~ |
| Current | 0.99 A |
| Power | 121 W |
| Speed | 2900 r.p.m. |
| Capacitor | |
| Max. temp of transported air | 60 °C |
| Sound pressure level, 3 m | 46 dB(A) |
| Weight | 3.7 kg |
| Wiring diagram | 4040180 |

ACCESSORIES

- Mounting bracket Kit MB
- Mounting clamp MK 160
- Safety grille BSV 160
- Back draught shutter RSK 160
- Louvre YG 160
- Louvre shutter VK 160
- Filterbox FLK 160
- Filterbox FLF 160
- Silencer LDC 160
- Speed controller MS EC
- Pressure regulator CALAIR-PR-230V
- Pressure regulator FKP-R

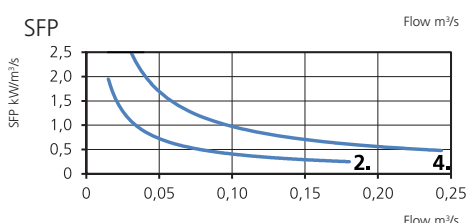
POWER/FLOW



SOUND DATA

| | L_{wa} tot dB (A) | 63 | 125 | 250 | 500 | 1K | 2K | 4K | 8K |
|---------------------------|---------------------|----|-----|-----|-----|----|----|----|----|
| 4.Surrounding 10 V | 53 | 27 | 30 | 37 | 45 | 48 | 45 | 48 | 38 |
| 4.Outlet 10 V | 76 | 58 | 66 | 69 | 70 | 68 | 68 | 66 | 60 |
| 4.Inlet 10 V | 77 | 56 | 66 | 70 | 72 | 69 | 65 | 65 | 57 |
| 3.Inlet 8 V | 74 | 53 | 64 | 69 | 70 | 66 | 62 | 62 | 53 |
| 2.Inlet 7 V | 70 | 49 | 62 | 66 | 66 | 61 | 57 | 56 | 47 |
| 1.Inlet 5 V | 63 | 44 | 56 | 58 | 59 | 54 | 51 | 47 | 36 |

SFP



CONTROL VOLTAGE

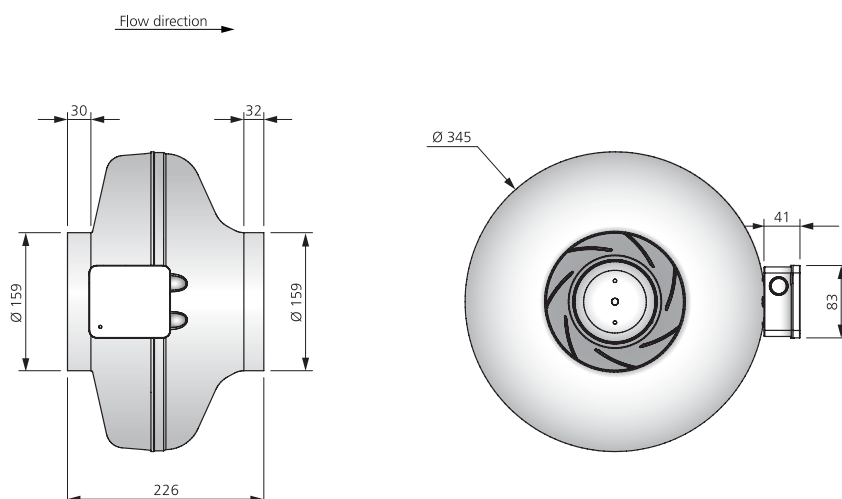
1. 5 V 2. 7 V 3. 8 V 4. 10 V

MORE INFORMATION



Find out the latest updated information about this product by visiting www.ostberg.com or by scanning QR code.

DIMENSIONS (mm)





- Duct fan with circular connections.
- Proven performance and reliability.
- Compact with high capacity and efficiency.
- Low sound levels.
- Impeller with backward curved blades.
- The external rotor motor has maintenance-free sealed ball-bearings and is very energy efficient.
- Speed controlling can be done with the built-in potentiometer, 0-10 V alt. external control.

- Integrated motor protection.
- Junction box has enclosure class IP 54.
- Fan housing is manufactured from galvanized sheet steel.
- The fan is intended to be installed in a duct system.
- A duct connected fan can be installed outside or in damp environments.
- Easy installation in any position.

ACCESSORIES

- Mounting bracket Kit MB
- Mounting clamp MK 200
- Safety grille BSV 200
- Back draught shutter RSK 200
- Louvre YG 200
- Louvre shutter VK 200
- Filterbox FLK 200
- Filterbox FLF 200
- Silencer LDC 200
- Speed controller MS EC
- Pressure regulator CALAIR-PR-230V
- Pressure regulator FKP-R

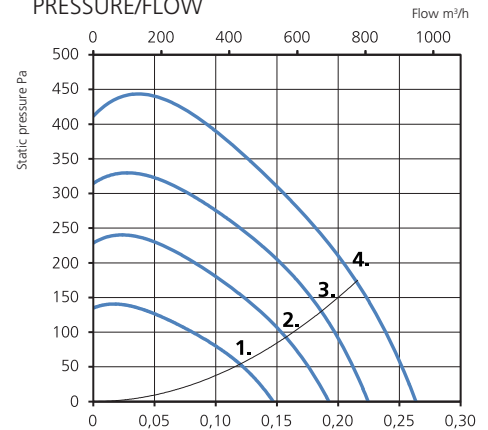
TECHNICAL DATA

| | |
|-------------------------------------|-------------|
| Voltage | 230 V |
| Frequency | 50/60 Hz |
| Phase | 1 ~ |
| Current | 0.97 A |
| Power | 120 W |
| Speed | 2900 r.p.m. |
| Capacitor | |
| Max. temp of transported air | 60 °C |
| Sound pressure level, 3 m | 46 dB(A) |
| Weight | 4.0 kg |
| Wiring diagram | 4040180 |

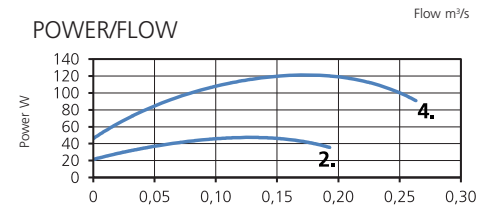
SOUND DATA

| | L_{WA} tot dB (A) | 63 | 125 | 250 | 500 | 1K | 2K | 4K | 8K |
|---------------------------|---------------------|----|-----|-----|-----|----|----|----|----|
| 4.Surrounding 10 V | 53 | 22 | 29 | 38 | 50 | 46 | 43 | 43 | 34 |
| 4.Outlet 10 V | 76 | 59 | 63 | 68 | 70 | 66 | 70 | 67 | 59 |
| 4.Inlet 10 V | 75 | 55 | 63 | 67 | 70 | 66 | 67 | 66 | 56 |
| 3.Inlet 8 V | 72 | 53 | 61 | 65 | 68 | 63 | 64 | 62 | 51 |
| 2.Inlet 7 V | 68 | 49 | 58 | 62 | 63 | 58 | 59 | 57 | 45 |
| 1.Inlet 5 V | 63 | 43 | 54 | 57 | 57 | 51 | 57 | 44 | 35 |

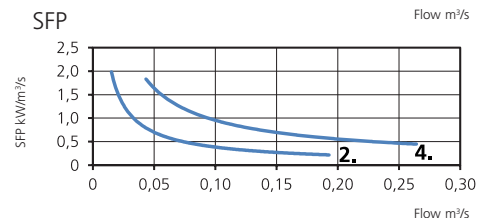
PRESSURE/FLOW



POWER/FLOW



SFP



MORE INFORMATION

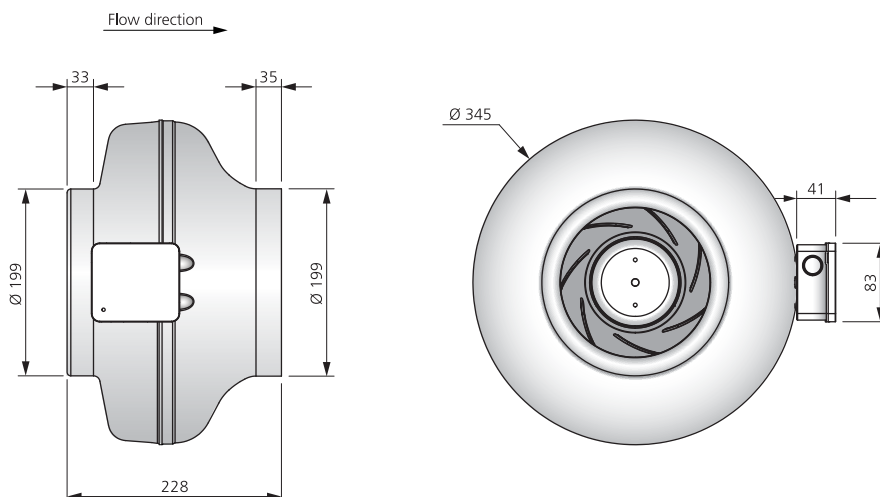


Find out the latest updated information about this product by visiting www.ostberg.com or by scanning QR code.

CONTROL VOLTAGE

1. 5 V 2. 7 V 3. 8 V 4. 10 V

DIMENSIONS (mm)

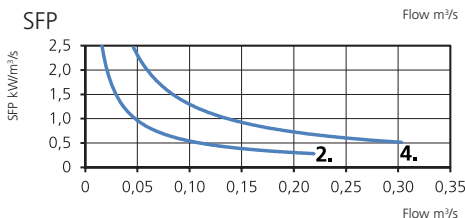
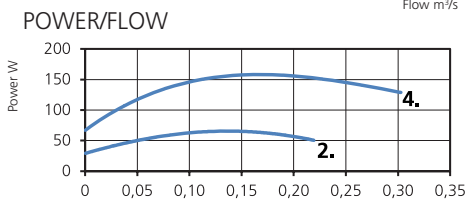
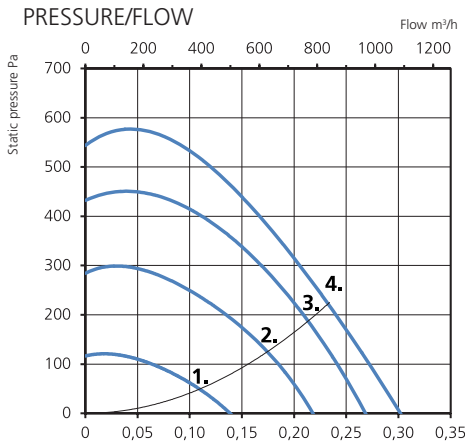


NON INSULATED DUCT FAN WITH CIRCULAR CONNECTIONS

CK 200 B EC

7001047

- Duct fan with circular connections.
- Proven performance and reliability.
- Compact with high capacity and efficiency.
- Low sound levels.
- Impeller with backward curved blades.
- The external rotor motor has maintenance-free sealed ball-bearings and is very energy efficient.
- Speed controlling can be done with the built-in potentiometer, 0-10 V alt. external control.
- Integrated motor protection.
- Junction box has enclosure class IP 54.
- Fan housing is manufactured from galvanized sheet steel.
- The fan is intended to be installed in a duct system.
- A duct connected fan can be installed outside or in damp environments.
- Easy installation in any position.



TECHNICAL DATA

| | |
|-------------------------------------|-------------|
| Voltage | 230 V |
| Frequency | 50/60 Hz |
| Phase | 1 ~ |
| Current | 1.21 A |
| Power | 154 W |
| Speed | 3250 r.p.m. |
| Capacitor | |
| Max. temp of transported air | 50 °C |
| Sound pressure level, 3 m | 46 dB(A) |
| Weight | 4 kg |
| Wiring diagram | 4040143 |

ACCESSORIES

- Mounting bracket Kit MB
- Mounting clamp MK 200
- Safety grille BSV 200
- Back draught shutter RSK 200
- Louvre YG 200
- Louvre shutter VK 200
- Filterbox FLK 200
- Filterbox FLF 200
- Silencer LDC 200
- Speed controller MS EC
- Pressure regulator CALAIR-PR-230V
- Pressure regulator FKP-R

SOUND DATA

| | L_{wa} tot dB (A) | 63 | 125 | 250 | 500 | 1K | 2K | 4K | 8K |
|---------------------------|---------------------|----|-----|-----|-----|----|----|----|----|
| 4.Surrounding 10 V | 53 | 19 | 40 | 41 | 51 | 46 | 42 | 42 | 34 |
| 4.Outlet 10 V | 80 | 58 | 68 | 76 | 74 | 69 | 72 | 70 | 61 |
| 4.Inlet 10 V | 79 | 61 | 70 | 73 | 74 | 70 | 70 | 69 | 59 |
| 3.Inlet 8.5 V | 77 | 60 | 68 | 71 | 72 | 68 | 69 | 67 | 57 |
| 2.Inlet 7 V | 72 | 55 | 63 | 64 | 66 | 62 | 65 | 64 | 50 |
| 1.Inlet 5 V | 61 | 45 | 54 | 54 | 54 | 51 | 54 | 42 | 33 |

CONTROL VOLTAGE

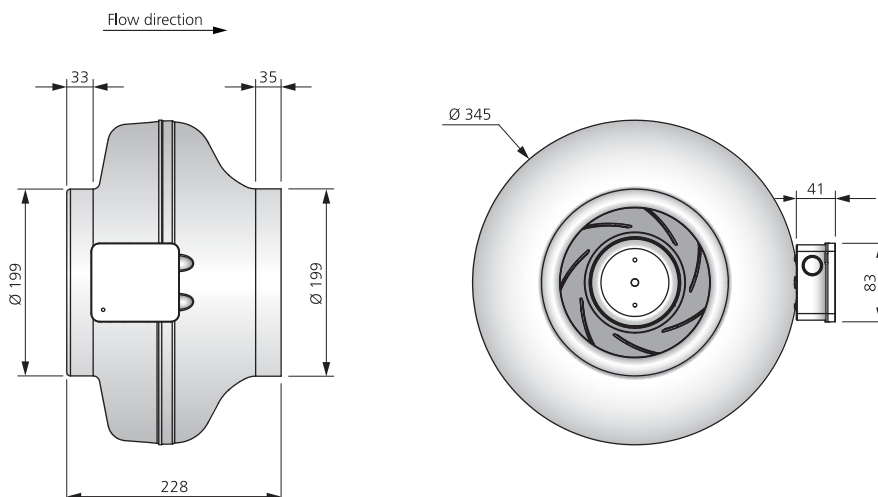
1. 5 V 2. 7 V 3. 8.5 V 4. 10 V

MORE INFORMATION



Find out the latest updated information about this product by visiting www.ostberg.com or by scanning QR code.

DIMENSIONS (mm)





- Duct fan with circular connections.
- Proven performance and reliability.
- Compact with high capacity and efficiency.
- Low sound levels.
- Impeller with backward curved blades.
- The external rotor motor has maintenance-free sealed ball-bearings and is very energy efficient.
- Speed controlling can be done with the built-in potentiometer, 0-10 V alt. external control.

- Integrated motor protection.
- Junction box has enclosure class IP 54.
- Fan housing is manufactured from galvanized sheet steel.
- The fan is intended to be installed in a duct system.
- A duct connected fan can be installed outside or in damp environments.
- Easy installation in any position.

ACCESSORIES

- Mounting bracket Kit MB
- Mounting clamp MK 250
- Safety grille BSV 250
- Back draught shutter RSK 250
- Louvre YG 250
- Louvre shutter VK 250
- Filterbox FLK 250
- Filterbox FLF 250
- Silencer LDC 250
- Speed controller MS EC
- Pressure regulator CALAIR-PR-230V
- Pressure regulator FKP-R

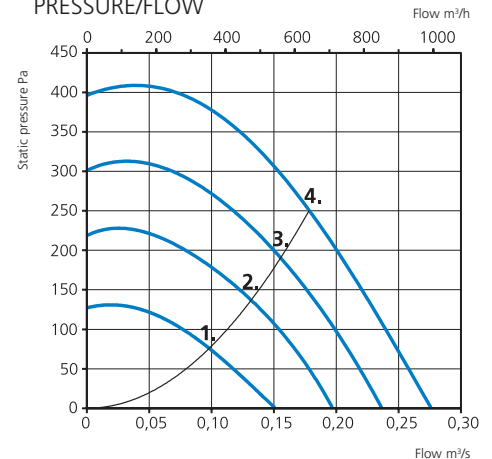
TECHNICAL DATA

| | |
|-------------------------------------|-------------|
| Voltage | 230 V |
| Frequency | 50/60 Hz |
| Phase | 1 ~ |
| Current | 0.95 A |
| Power | 115 W |
| Speed | 2900 r.p.m. |
| Capacitor | |
| Max. temp of transported air | 60 °C |
| Sound pressure level, 3 m | 44 dB(A) |
| Weight | 4.1 kg |
| Wiring diagram | 4040180 |

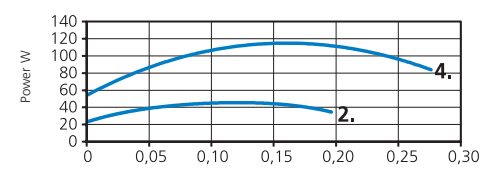
SOUND DATA

| | L _{WA} tot dB (A) | 63 | 125 | 250 | 500 | 1K | 2K | 4K | 8K |
|---------------------------|----------------------------|----|-----|-----|-----|----|----|----|----|
| 4.Surrounding 10 V | 51 | 28 | 36 | 43 | 49 | 44 | 39 | 39 | 31 |
| 4.Outlet 10 V | 76 | 57 | 59 | 70 | 67 | 71 | 70 | 67 | 60 |
| 4.Inlet 10 V | 75 | 55 | 62 | 68 | 68 | 69 | 67 | 65 | 57 |
| 3.Inlet 8.5 V | 72 | 51 | 59 | 65 | 65 | 66 | 63 | 61 | 51 |
| 2.Inlet 7 V | 68 | 50 | 58 | 62 | 60 | 62 | 59 | 57 | 45 |
| 1.Inlet 5 V | 61 | 46 | 53 | 54 | 53 | 55 | 55 | 44 | 34 |

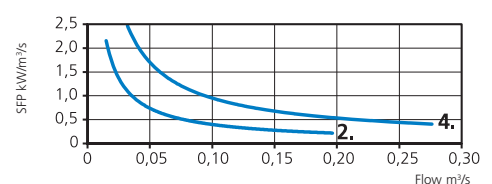
PRESSURE/FLOW



POWER/FLOW



SFP



MORE INFORMATION

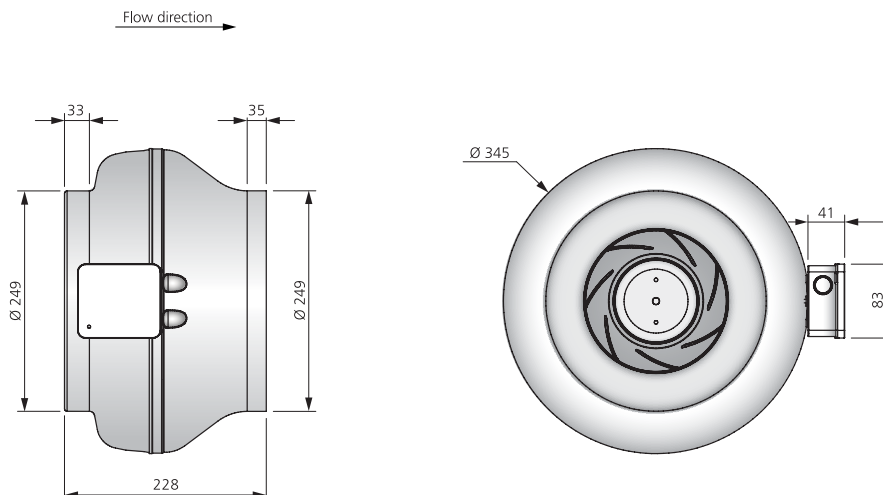


Find out the latest updated information about this product by visiting www.ostberg.com or by scanning QR code.

CONTROL VOLTAGE

1. 5 V 2. 7 V 4. 8.5 V 4. 10 V

DIMENSIONS (mm)



NON INSULATED DUCT FAN WITH CIRCULAR CONNECTIONS

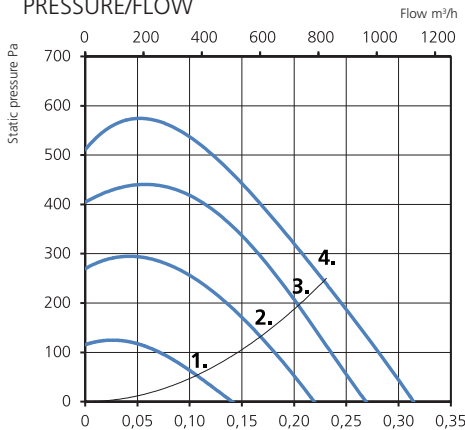
CK 250 B EC

7001048

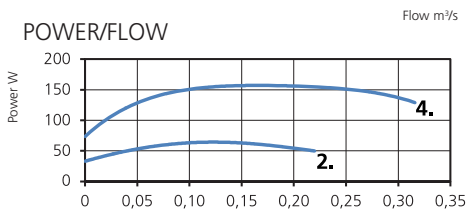
- Duct fan with circular connections.
- Proven performance and reliability.
- Compact with high capacity and efficiency.
- Low sound levels.
- Impeller with backward curved blades.
- The external rotor motor has maintenance-free sealed ball-bearings and is very energy efficient.
- Speed controlling can be done with the built-in potentiometer, 0-10 V alt. external control.
- Integrated motor protection.
- Junction box has enclosure class IP 54.
- Fan housing is manufactured from galvanized sheet steel.
- The fan is intended to be installed in a duct system.
- A duct connected fan can be installed outside or in damp environments.
- Easy installation in any position.



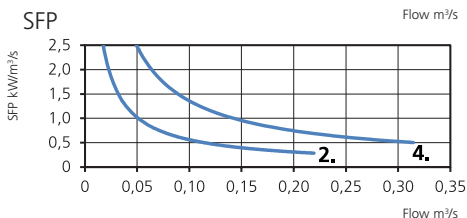
PRESSURE/FLOW



POWER/FLOW



SFP



TECHNICAL DATA

| | |
|-------------------------------------|-------------|
| Voltage | 230 V |
| Frequency | 50/60 Hz |
| Phase | 1 ~ |
| Current | 1.25 A |
| Power | 155 W |
| Speed | 3330 r.p.m. |
| Capacitor | |
| Max. temp of transported air | 50 °C |
| Sound pressure level, 3 m | 46 dB(A) |
| Weight | 4.1 kg |
| Wiring diagram | 4040143 |

ACCESSORIES

- Mounting bracket Kit MB
- Mounting clamp MK 250
- Safety grille BSV 250
- Back draught shutter RSK 250
- Louvre YG 250
- Louvre shutter VK 250
- Filterbox FLK 250
- Filterbox FLF 250
- Silencer LDC 250
- Speed controller MS EC
- Pressure regulator CALAIR-PR-230V
- Pressure regulator FKP-R

SOUND DATA

| | L_{wa} tot dB (A) | 63 | 125 | 250 | 500 | 1K | 2K | 4K | 8K |
|---------------------------|---------------------|----|-----|-----|-----|----|----|----|----|
| 4.Surrounding 10 V | 53 | 26 | 39 | 45 | 49 | 44 | 43 | 43 | 33 |
| 4.Outlet 10 V | 81 | 56 | 66 | 76 | 73 | 73 | 75 | 72 | 64 |
| 4.Inlet 10 V | 81 | 56 | 69 | 76 | 71 | 73 | 74 | 72 | 62 |
| 3.Inlet 8.5 V | 78 | 55 | 67 | 72 | 69 | 70 | 71 | 69 | 59 |
| 2.Inlet 7 V | 74 | 52 | 62 | 69 | 63 | 65 | 67 | 65 | 52 |
| 1.Inlet 5 V | 63 | 48 | 52 | 55 | 52 | 54 | 60 | 44 | 34 |

CONTROL VOLTAGE

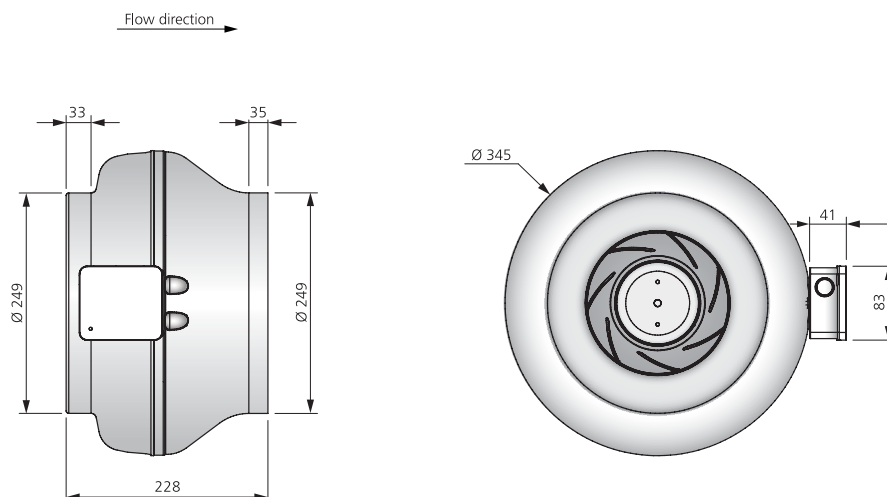
1. 5 V 2. 7 V 3. 8.5 V 4. 10 V

MORE INFORMATION



Find out the latest updated information about this product by visiting www.ostberg.com or by scanning QR code.

DIMENSIONS (mm)





- Duct fan with circular connections.
- Proven performance and reliability.
- Compact with high capacity and efficiency.
- Low sound levels.
- Impeller with backward curved blades.
- The external rotor motor has maintenance-free sealed ball-bearings and is very energy efficient.
- Speed controlling can be done with the built-in potentiometer, 0-10 V alt. external control.

- Integrated motor protection.
- Junction box has enclosure class IP 54.
- Fan housing is manufactured from galvanized sheet steel.
- The fan is intended to be installed in a duct system.
- A duct connected fan can be installed outside or in damp environments.
- Easy installation in any position.

ACCESSORIES

- Mounting bracket Kit MB
- Mounting clamp MK 315
- Safety grille BSV 315
- Back draught shutter RSK 315
- Louvre YG 315
- Louvre shutter VK 315
- Filterbox FLK 315
- Filterbox FLF 315
- Silencer LDC 315
- Speed controller MS EC
- Pressure regulator CALAIR-PR-230V
- Pressure regulator FKP-R

TECHNICAL DATA

| | |
|-------------------------------------|-------------|
| Voltage | 230 V |
| Frequency | 50/60 Hz |
| Phase | 1 ~ |
| Current | 1.22 A |
| Power | 159 W |
| Speed | 2760 r.p.m. |
| Capacitor | |
| Max. temp of transported air | 50 °C |
| Sound pressure level, 3 m | 48 dB(A) |
| Weight | 5.4 kg |
| Wiring diagram | 4040143 |

SOUND DATA

| | L_{wa} tot dB (A) | 63 | 125 | 250 | 500 | 1K | 2K | 4K | 8K |
|---------------------------|---------------------|----|-----|-----|-----|----|----|----|----|
| 4.Surrounding 10 V | 55 | 31 | 40 | 46 | 51 | 46 | 47 | 42 | 31 |
| 4.Outlet 10 V | 79 | 61 | 69 | 73 | 64 | 74 | 70 | 67 | 56 |
| 4.Inlet 10 V | 81 | 62 | 72 | 72 | 69 | 75 | 75 | 71 | 61 |
| 3.Inlet 8 V | 78 | 63 | 70 | 70 | 65 | 72 | 71 | 68 | 56 |
| 2.Inlet 7 V | 74 | 62 | 65 | 64 | 61 | 69 | 66 | 62 | 50 |
| 1.Inlet 5.5 V | 66 | 56 | 57 | 56 | 55 | 62 | 58 | 50 | 38 |

MORE INFORMATION

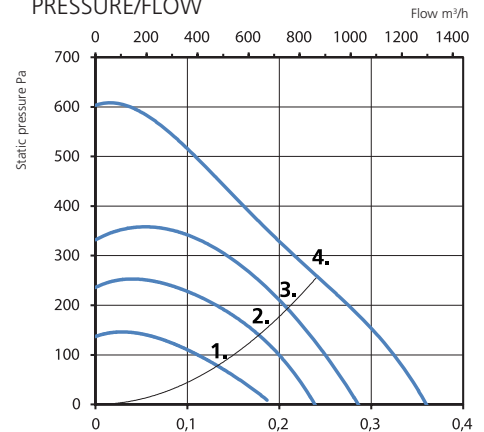


Find out the latest updated information about this product by visiting www.ostberg.com or by scanning QR code.

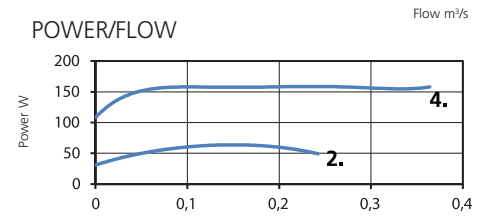
CONTROL VOLTAGE

1. 5.5 V 2. 7 V 3. 8 V 4. 10 V

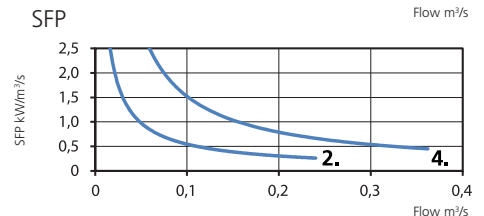
PRESSURE/FLOW



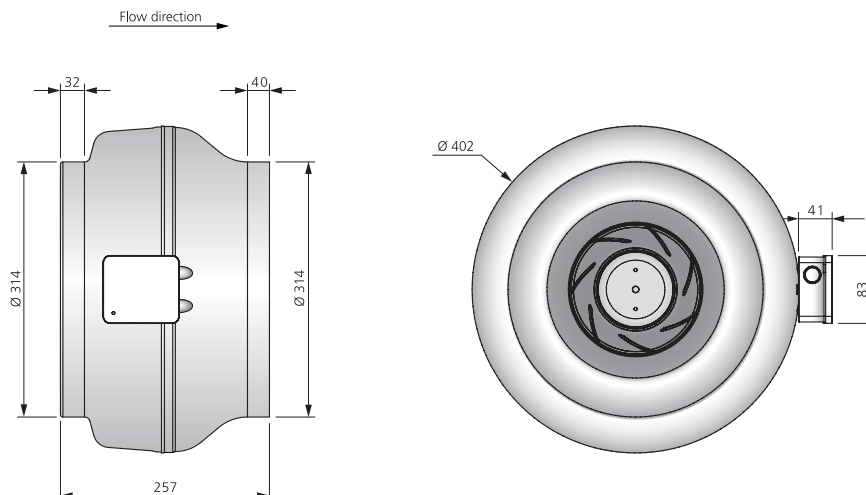
POWER/FLOW



SFP



DIMENSIONS (mm)



NON INSULATED DUCT FAN WITH CIRCULAR CONNECTIONS

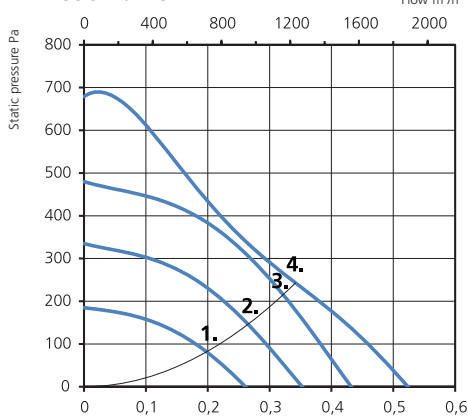
CK 315 C EC

7001069

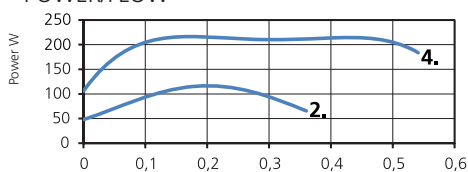
- Duct fan with circular connections.
- Proven performance and reliability.
- Compact with high capacity and efficiency.
- Low sound levels.
- Impeller with backward curved blades.
- The external rotor motor has maintenance-free sealed ball-bearings and is very energy efficient.
- Speed controlling can be done with the built-in potentiometer, 0-10 V alt. external control.
- Integrated motor protection.
- Junction box has enclosure class IP 54.
- Fan housing is manufactured from galvanized sheet steel.
- The fan is intended to be installed in a duct system.
- When duct connected the fan can be installed outside or in damp environments.
- Easy installation in any position.



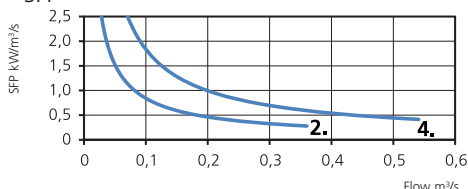
PRESSURE/FLOW



POWER/FLOW



SFP



TECHNICAL DATA

| | |
|------------------------------|-------------|
| Voltage | 230 V |
| Frequency | 50/60 Hz |
| Phase | 1 ~ |
| Current | 0.98 A |
| Power | 217 W |
| Speed | 2640 r.p.m. |
| Capacitor | |
| Max. temp of transported air | 60 °C |
| Sound pressure level, 3 m | 52 dB(A) |
| Weight | 6.2 kg |
| Wiring diagram | 4040143 |

ACCESSORIES

- Mounting bracket Kit MB
- Mounting clamp MK 315
- Safety grille BSV 315
- Back draught shutter RSK 315
- Louvre YG 315
- Louvre shutter VK 315
- Filterbox FLK 315
- Filterbox FLF 315
- Silencer LDC 315
- Speed controller MS EC
- Pressure regulator CALAIR-PR-230V
- Pressure regulator FKP-R

SOUND DATA

| | L_{wa} tot dB (A) | 63 | 125 | 250 | 500 | 1K | 2K | 4K | 8K |
|--------------------|---------------------|----|-----|-----|-----|----|----|----|----|
| 4.Surrounding 10 V | 59 | 25 | 45 | 50 | 53 | 50 | 56 | 48 | 38 |
| 4.Outlet 10 V | 80 | 56 | 63 | 67 | 75 | 73 | 75 | 69 | 68 |
| 4.Inlet 10 V | 78 | 55 | 59 | 63 | 69 | 69 | 73 | 70 | 71 |
| 3.Inlet 8 V | 75 | 52 | 56 | 61 | 66 | 67 | 70 | 66 | 67 |
| 2.Inlet 7 V | 68 | 47 | 52 | 58 | 57 | 60 | 63 | 62 | 56 |
| 1.Inlet 5 V | 60 | 40 | 46 | 51 | 52 | 54 | 53 | 55 | 39 |

CONTROL VOLTAGE

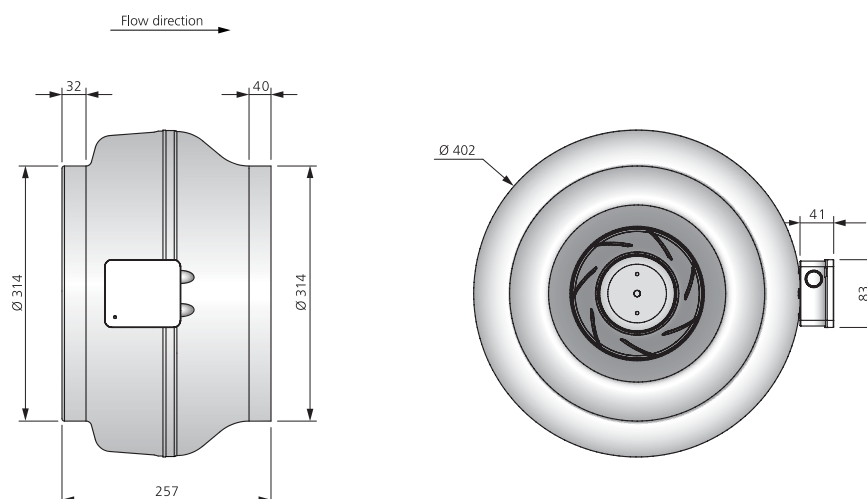
1. 5 V 2. 7 V 3. 8 V 4. 10 V

MORE INFORMATION



Find out the latest updated information about this product by visiting www.ostberg.com or by scanning QR code.

DIMENSIONS (mm)



NON INSULATED DUCT FAN WITH CIRCULAR CONNECTIONS

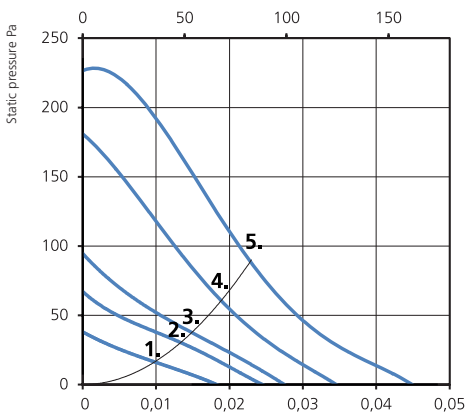
LPKB 100 A1

7540210

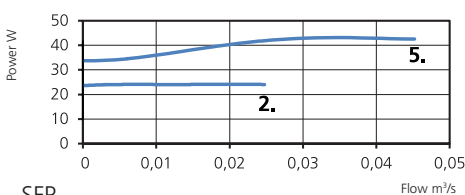
- Low profile duct fan with circular connections.
- A small and useful duct fan which are perfect for spaces with minimum height clearance.
- With one connection on the inlet side.
- High capacity and efficiency with low sound levels.
- Impeller with backward curved blades.
- The external rotor motor has maintenance-free sealed ball-bearings.
- Integrated motor protection.
- Junction box has enclosure class IP 54.
- For speed control a transformer or electronic speed controller can be connected.
- Fan housing is manufactured from galvanized sheet steel.
- Duct connections are equipped with rubber seals.
- The fan is intended to be installed in a duct system.
- A duct connected fan can be installed outside or in damp environments.
- The mounting brackets simplify installation in any position.
- To comply with the ErP 2018 regulation, a local demand controller must be used.



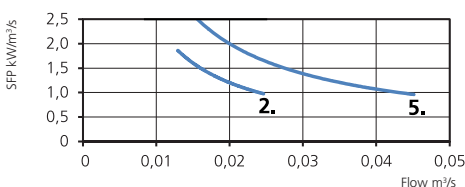
PRESSURE/FLOW



POWER/FLOW



SFP



TECHNICAL DATA

| | |
|------------------------------|-------------|
| Voltage | 230 V |
| Frequency | 50 Hz |
| Phase | 1 ~ |
| Current | 0.2 A |
| Power | 43 W |
| Speed | 1410 r.p.m. |
| Capacitor | 1 µF |
| Max. temp of transported air | 80 °C |
| Sound pressure level, 3 m | 34 dB(A) |
| Weight | 5 kg |
| Wiring diagram | 4040002 |

ACCESSORIES

- Mounting clamp MK 100
- Safety grille BSV 100
- Back draught shutter RSK 100
- Louvre YG 100
- Louvre shutter VK 100
- Filterbox FLK 100
- Filterbox FLF 100
- Silencer LDC 100
- Transformer controller VRTE C
- Transformer controller VRDE 1.5
- Speed controller VRS 0.5
- Local Demand Controller Kit

SOUND DATA

| | L _{WA} tot dB (A) | 63 | 125 | 250 | 500 | 1K | 2K | 4K | 8K |
|---------------------|----------------------------|----|-----|-----|-----|----|----|----|----|
| 4.Surrounding 230 V | 41 | 25 | 29 | 35 | 36 | 31 | 29 | 28 | 29 |
| 4.Outlet 230 V | 56 | 47 | 50 | 52 | 49 | 47 | 41 | 33 | 26 |
| 4.Inlet 230 V | 54 | 41 | 49 | 47 | 50 | 44 | 40 | 31 | 23 |
| 3.Inlet 210 V | 49 | 37 | 45 | 41 | 45 | 39 | 32 | 21 | 18 |
| 2.Inlet 180 V | 43 | 32 | 38 | 36 | 39 | 32 | 22 | 10 | 13 |
| 1.Inlet 165 V | 41 | 29 | 35 | 34 | 36 | 29 | 17 | 7 | 11 |

TRANSFORMER STEPS

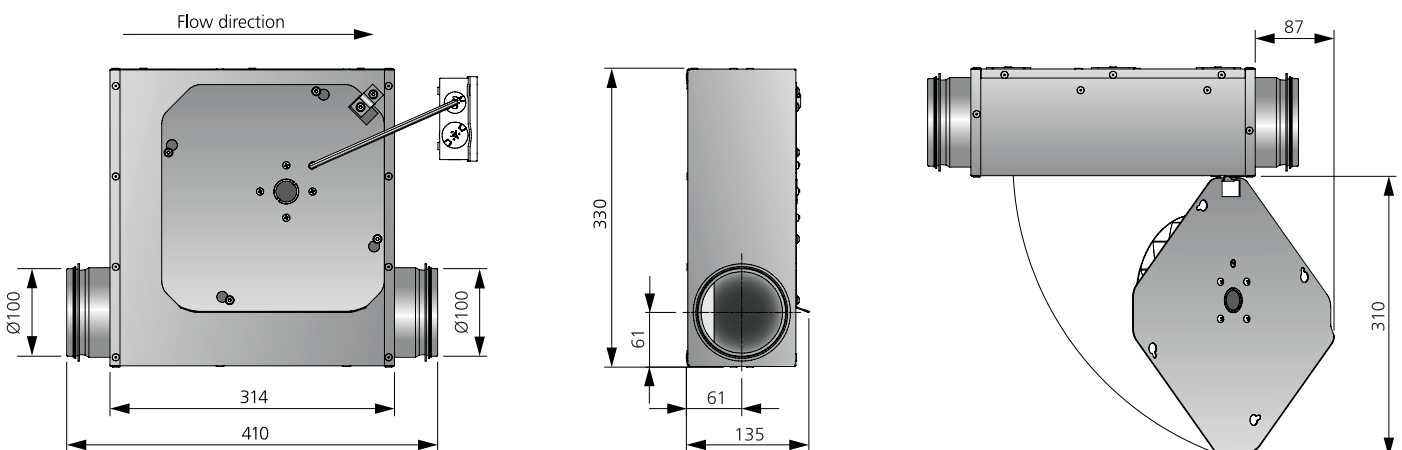
1. 165 V 2. 180 V 3. 210 V 4. 230 V

MORE INFORMATION



Find out the latest updated information about this product by visiting www.ostberg.com or by scanning QR code.

DIMENSIONS (mm)





- Low profile duct fan with circular connections.
- A small and useful duct fan which are perfect for spaces with minimum height clearance.
- With one connection on the inlet side.
- High capacity and efficiency with low sound levels.
- Operational in both 50 and 60 Hz.
- Impeller with backward curved blades.
- The external rotor motor has maintenance-free sealed ball-bearings.
- Integrated motor protection.
- Junction box has enclosure class IP 54.
- For speed control a transformer or electronic speed controller can be connected.

- Fan housing is manufactured from galvanized sheet steel.
- Duct connections are equipped with rubber seals.
- The fan is intended to be installed in a duct system.
- A duct connected fan can be installed outside or in damp environments.
- The mounting brackets simplify installation in any position.
- To comply with the ErP 2018 regulation, a local demand controller must be used.

ACCESSORIES

- Mounting clamp MK 100
- Safety grille BSV 100
- Back draught shutter RSK 100
- Louvre YG 100
- Louvre shutter VK 100
- Filterbox FLK 100
- Filterbox FLF 100
- Silencer LDC 100
- Transformer controller VRTE C
- Transformer controller VRDE 1.5
- Speed controller VRS 0.5
- Local Demand Controller Kit

TECHNICAL DATA

| | |
|-------------------------------------|---------------|
| Voltage | 230 V |
| Frequency | 50 Hz (60 Hz) |
| Phase | 1 ~ |
| Current | 0.25 A |
| Power | 58 W |
| Speed | 2600 r.p.m. |
| Capacitor | 2 µF |
| Max. temp of transported air | 80 °C |
| Sound pressure level, 3 m | 47 dB(A) |
| Weight | 5 kg |
| Wiring diagram | 4040001 |

SOUND DATA

| | L_{wa} tot dB (A) | 63 | 125 | 250 | 500 | 1K | 2K | 4K | 8K |
|----------------------------|---------------------|----|-----|-----|-----|----|----|----|----|
| 5.Surrounding 230 V | 54 | 33 | 37 | 50 | 49 | 44 | 40 | 35 | 31 |
| 5.Outlet 230 V | 71 | 55 | 61 | 63 | 66 | 64 | 59 | 54 | 48 |
| 5.Inlet 230 V | 68 | 53 | 60 | 61 | 64 | 57 | 55 | 49 | 44 |
| 4.Inlet 165 V | 64 | 49 | 57 | 59 | 60 | 53 | 51 | 44 | 38 |
| 3.Inlet 135 V | 60 | 44 | 53 | 56 | 56 | 49 | 45 | 37 | 31 |
| 2.Inlet 110 V | 54 | 40 | 47 | 46 | 50 | 42 | 38 | 27 | 21 |
| 1.Inlet 80 V | 44 | 31 | 38 | 37 | 39 | 31 | 20 | 9 | 11 |

MORE INFORMATION

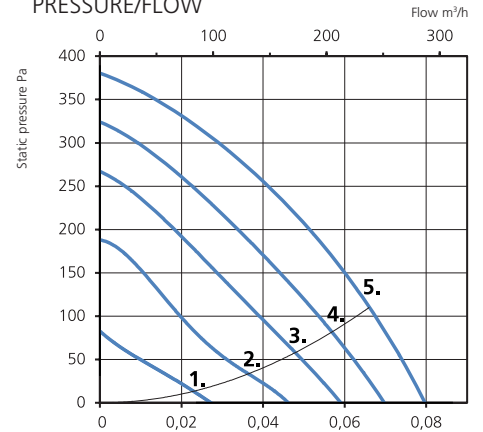


Find out the latest updated information about this product by visiting www.ostberg.com or by scanning QR code.

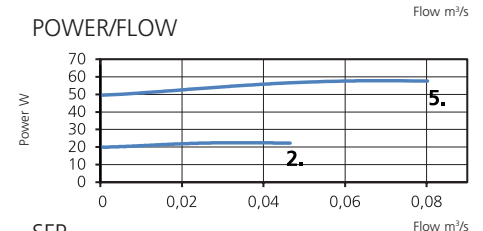
TRANSFORMER STEPS

1. 80 V 2. 110 V 3. 135 V 4. 165 V 5. 230 V

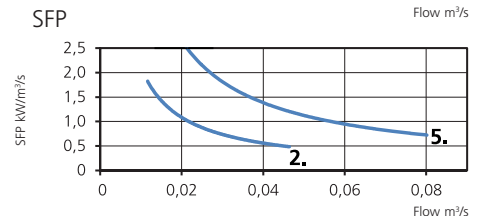
PRESSURE/FLOW



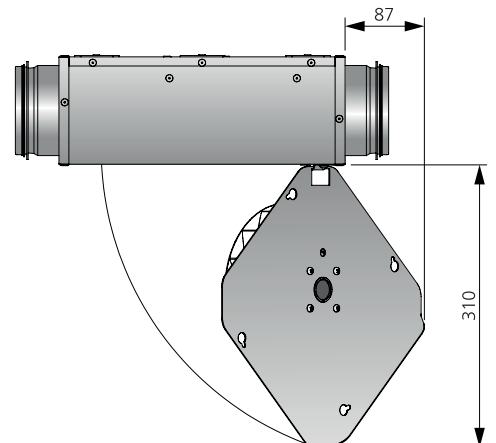
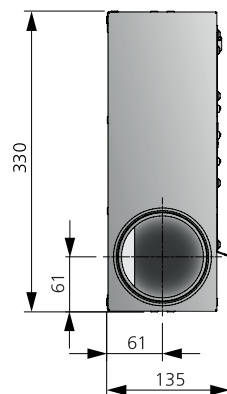
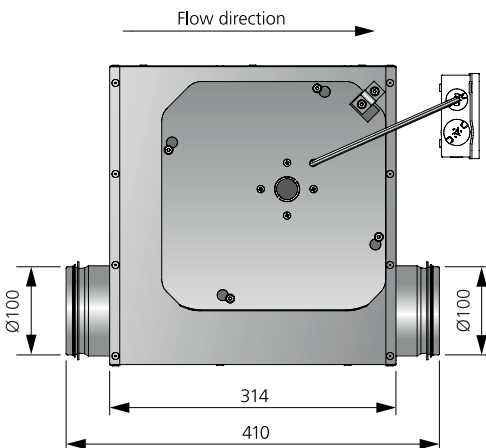
POWER/FLOW



SFP



DIMENSIONS (mm)



NON INSULATED DUCT FAN WITH CIRCULAR CONNECTIONS

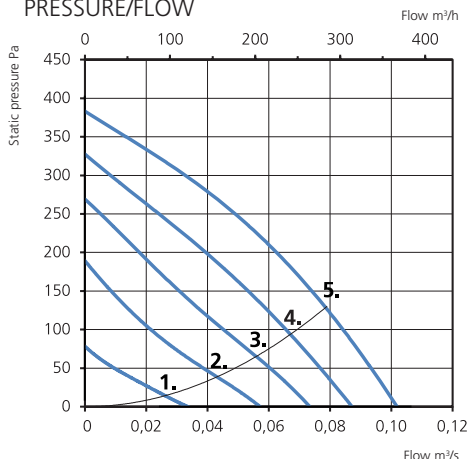
LPKB 125 C1

7540231

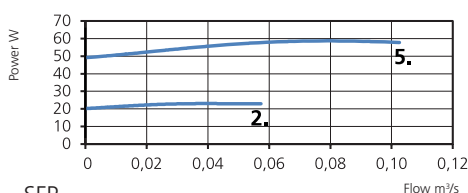
- Low profile duct fan with circular connections.
- A small and useful duct fan which are perfect for spaces with minimum height clearance.
- With one connection on the inlet side.
- High capacity and efficiency with low sound levels.
- Operational in both 50 and 60 Hz.
- Impeller with backward curved blades.
- The external rotor motor has maintenance-free sealed ball-bearings.
- Integrated motor protection.
- Junction box has enclosure class IP 54.
- For speed control a transformer or electronic speed controller can be connected.
- Fan housing is manufactured from galvanized sheet steel.
- Duct connections are equipped with rubber seals.
- The fan is intended to be installed in a duct system.
- A duct connected fan can be installed outside or in damp environments.
- The mounting brackets simplify installation in any position.
- To comply with the ErP 2018 regulation, a local demand controller must be used.



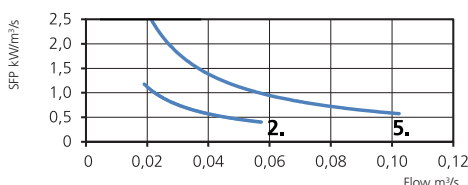
PRESSURE/FLOW



POWER/FLOW



SFP



TECHNICAL DATA

| | |
|-------------------------------------|---------------|
| Voltage | 230 V |
| Frequency | 50 Hz (60 Hz) |
| Phase | 1 ~ |
| Current | 0.26 A |
| Power | 59 W |
| Speed | 2570 r.p.m. |
| Capacitor | 2 µF |
| Max. temp of transported air | 80 °C |
| Sound pressure level, 3 m | 47 dB(A) |
| Weight | 5.2 kg |
| Wiring diagram | 4040001 |

ACCESSORIES

- Mounting clamp MK 125
- Safety grille BSV 125
- Back draught shutter RSK 125
- Louvre YG 125
- Louvre shutter VK 125
- Filterbox FLK 125
- Filterbox FLF 125
- Silencer LDC 125
- Transformer controller VRTE C
- Transformer controller VRDE 1.5
- Speed controller VRS 0.5
- Local Demand Controller Kit

SOUND DATA

| | L_{wa} tot dB (A) | 63 | 125 | 250 | 500 | 1K | 2K | 4K | 8K |
|----------------------------|---------------------|----|-----|-----|-----|----|----|----|----|
| 5.Surrounding 230 V | 54 | 33 | 38 | 50 | 51 | 46 | 41 | 35 | 31 |
| 5.Outlet 230 V | 71 | 55 | 61 | 64 | 67 | 64 | 59 | 56 | 49 |
| 5.Inlet 230 V | 69 | 51 | 61 | 63 | 66 | 57 | 54 | 51 | 46 |
| 4.Inlet 165 V | 65 | 48 | 57 | 59 | 62 | 53 | 49 | 46 | 40 |
| 3.Inlet 135 V | 61 | 43 | 53 | 55 | 57 | 48 | 45 | 40 | 34 |
| 2.Inlet 110 V | 55 | 39 | 51 | 45 | 51 | 41 | 36 | 28 | 22 |
| 1.Inlet 80 V | 44 | 29 | 39 | 36 | 40 | 28 | 19 | 9 | 12 |

TRANSFORMER STEPS

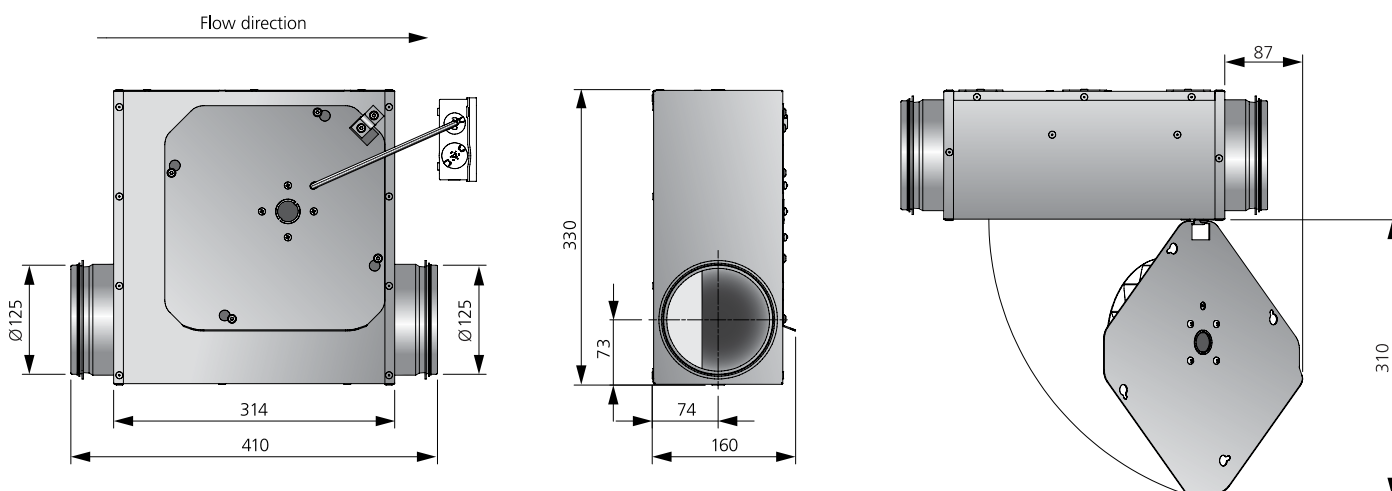
1. 80 V 2. 110 V 3. 135 V 4. 165 V 5. 230 V

MORE INFORMATION



Find out the latest updated information about this product by visiting www.ostberg.com or by scanning QR code.

DIMENSIONS (mm)





- Low profile duct fan with circular connections.
- A small and useful duct fan which are perfect for spaces with minimum height clearance.
- With one connection on the inlet side.
- High capacity and efficiency with low sound levels.
- Operational in both 50 and 60 Hz.
- Impeller with backward curved blades.
- The external rotor motor has maintenance-free sealed ball-bearings.
- Integrated motor protection.

- Junction box has enclosure class IP 54.
- For speed control a transformer or electronic speed controller can be connected.
- Fan housing is manufactured from galvanized sheet steel.
- Duct connections are equipped with rubber seals.
- The fan is intended to be installed in a duct system.
- A duct connected fan can be installed outside or in damp environments.
- The mounting brackets simplify installation in any position.

ACCESSORIES

- Mounting clamp MK 160
- Safety grille BSV 160
- Back draught shutter RSK 160
- Louvre YG 160
- Louvre shutter VK 160
- Filterbox FLK 160
- Filterbox FLF 160
- Silencer LDC 160
- Transformer controller VRTE C
- Transformer controller VRDE 1.5
- Speed controller VRS 0.5

TECHNICAL DATA

| | |
|-------------------------------------|---------------|
| Voltage | 230 V |
| Frequency | 50 Hz (60 Hz) |
| Phase | 1 ~ |
| Current | 0.26 A |
| Power | 61 W |
| Speed | 2540 r.p.m. |
| Capacitor | 2 µF |
| Max. temp of transported air | 80 °C |
| Sound pressure level, 3 m | 46 dB(A) |
| Weight | 6.8 kg |
| Wiring diagram | 4040001 |

SOUND DATA

| | L_{wa} tot dB (A) | 63 | 125 | 250 | 500 | 1K | 2K | 4K | 8K |
|----------------------------|---------------------|----|-----|-----|-----|----|----|----|----|
| 5.Surrounding 230 V | 53 | 32 | 40 | 48 | 50 | 42 | 39 | 34 | 31 |
| 5.Outlet 230 V | 70 | 56 | 60 | 65 | 66 | 60 | 56 | 55 | 47 |
| 5.Inlet 230 V | 68 | 51 | 60 | 65 | 63 | 57 | 51 | 52 | 45 |
| 4.Inlet 165 V | 65 | 47 | 54 | 62 | 59 | 53 | 46 | 45 | 39 |
| 3.Inlet 135 V | 59 | 44 | 50 | 56 | 54 | 47 | 40 | 38 | 29 |
| 2.Inlet 110 V | 52 | 38 | 46 | 48 | 47 | 40 | 31 | 28 | 19 |
| 1.Inlet 80 V | 44 | 31 | 38 | 41 | 36 | 28 | 15 | 9 | 10 |

MORE INFORMATION

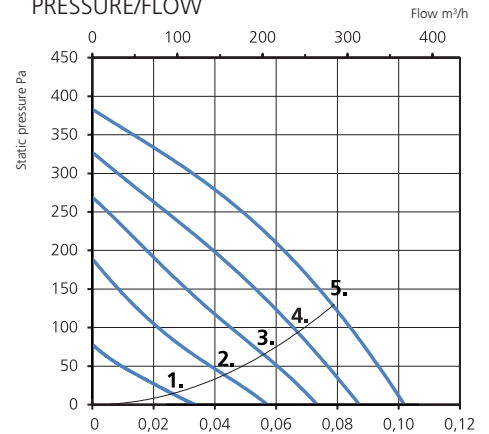


Find out the latest updated information about this product by visiting www.ostberg.com or by scanning QR code.

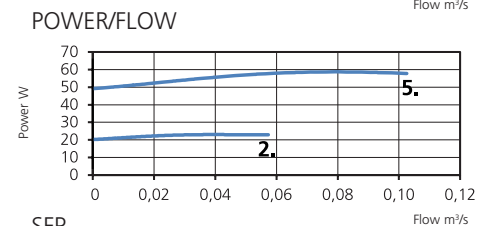
TRANSFORMER STEPS

1. 80 V 2. 110 V 3. 135 V 4. 165 V 5. 230 V

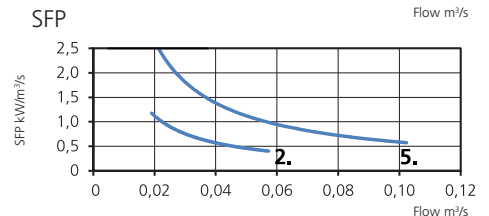
PRESSURE/FLOW



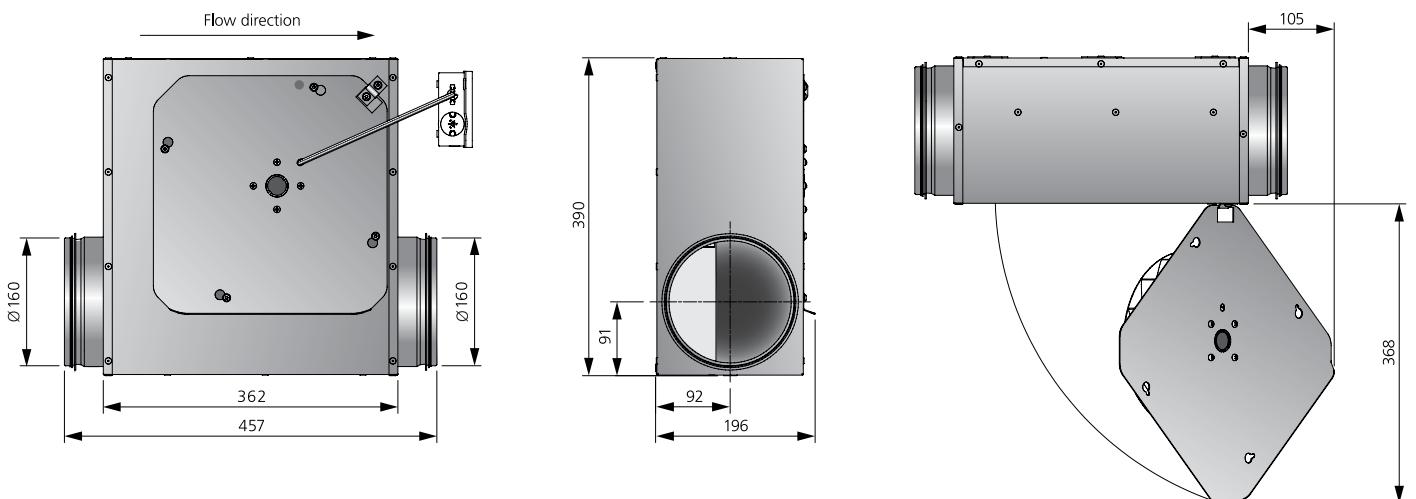
POWER/FLOW



SFP



DIMENSIONS (mm)



NON INSULATED DUCT FAN WITH CIRCULAR CONNECTIONS

LPKB 160 C1

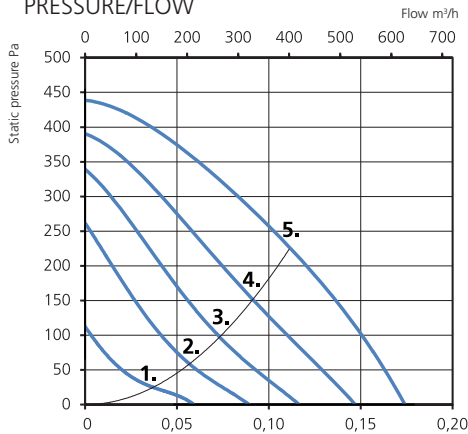
7540253

- Low profile duct fan with circular connections.
- A small and useful duct fan which are perfect for spaces with minimum height clearance.
- With one connection on the inlet side.
- High capacity and efficiency with low sound levels.
- Operational in both 50 and 60 Hz.
- Impeller with backward curved blades.
- The external rotor motor has maintenance-free sealed ball-bearings.
- Integrated motor protection.
- Junction box has enclosure class IP 54.

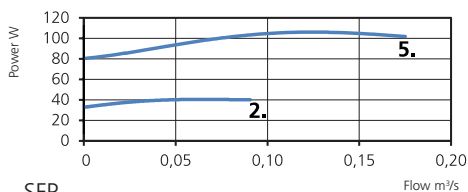
- For speed control a transformer or electronic speed controller can be connected.
- Fan housing is manufactured from galvanized sheet steel.
- Duct connections are equipped with rubber seals.
- The fan is intended to be installed in a duct system.
- A duct connected fan can be installed outside or in damp environments.
- The mounting brackets simplify installation in any position.
- To comply with the ErP 2018 regulation, a local demand controller must be used.



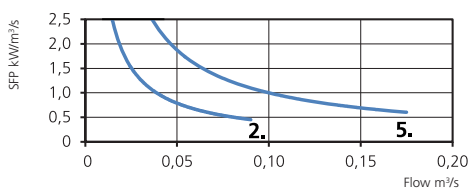
PRESSURE/FLOW



POWER/FLOW



SFP



TECHNICAL DATA

| | |
|-------------------------------------|-------------|
| Voltage | 230 V |
| Frequency | 50 Hz |
| Phase | 1 ~ |
| Current | 0.46 A |
| Power | 106 W |
| Speed | 2560 r.p.m. |
| Capacitor | 3 µF |
| Max. temp of transported air | 75 °C |
| Sound pressure level, 3 m | 51 dB(A) |
| Weight | 7 kg |
| Wiring diagram | 4040001 |

ACCESSORIES

- Mounting clamp MK 160
- Safety grille BSV 160
- Back draught shutter RSK 160
- Louvre YG 160
- Louvre shutter VK 160
- Filterbox FLK 160
- Filterbox FLF 160
- Silencer LDC 160
- Transformer controller VRTE C
- Transformer controller VRDE 1.5
- Speed controller VRS 0.5
- Local Demand Controller Kit

SOUND DATA

| | L_{wa} tot dB (A) | 63 | 125 | 250 | 500 | 1K | 2K | 4K | 8K |
|----------------------------|---------------------|----|-----|-----|-----|----|----|----|----|
| 5.Surrounding 230 V | 58 | 33 | 43 | 53 | 56 | 48 | 44 | 40 | 32 |
| 5.Outlet 230 V | 76 | 58 | 61 | 68 | 74 | 66 | 63 | 63 | 51 |
| 5.Inlet 230 V | 74 | 52 | 61 | 69 | 71 | 64 | 56 | 57 | 46 |
| 4.Inlet 165 V | 70 | 50 | 58 | 65 | 67 | 59 | 51 | 51 | 39 |
| 3.Inlet 135 V | 64 | 47 | 54 | 61 | 59 | 53 | 45 | 43 | 30 |
| 2.Inlet 110 V | 58 | 42 | 50 | 55 | 53 | 47 | 37 | 33 | 18 |
| 1.Inlet 80 V | 48 | 36 | 42 | 41 | 43 | 38 | 22 | 15 | 9 |

TRANSFORMER STEPS

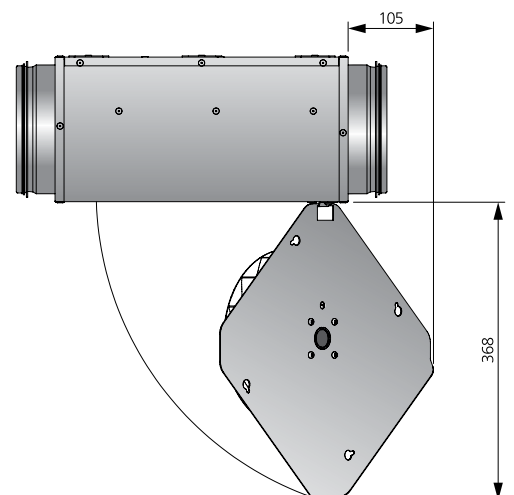
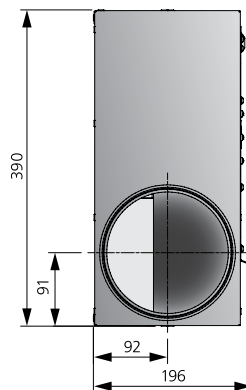
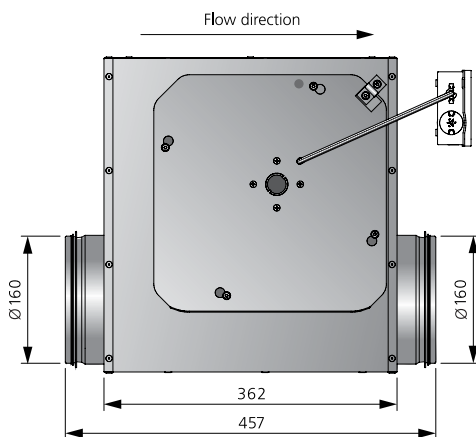
1. 80 V 2. 110 V 3. 135 V 4. 165 V 5. 230 V

MORE INFORMATION



Find out the latest updated information about this product by visiting www.ostberg.com or by scanning QR code.

DIMENSIONS (mm)



LPKB 200 C1 ErP

7540303



- Low profile duct fan with circular connections.
- A small and useful duct fan which are perfect for spaces with minimum height clearance.
- With one connection on the inlet side.
- High capacity and efficiency with low sound levels.
- Operational in both 50 and 60 Hz.
- Impeller with backward curved blades.
- The external rotor motor has maintenance-free sealed ball-bearings.
- Integrated motor protection.
- Junction box has enclosure class IP 54.

- For speed control a transformer or electronic speed controller can be connected.
- Fan housing is manufactured from galvanized sheet steel.
- Duct connections are equipped with rubber seals.
- The fan is intended to be installed in a duct system.
- A duct connected fan can be installed outside or in damp environments.
- The mounting brackets simplify installation in any position.

ACCESSORIES

- Mounting clamp MK 200
- Safety grille BSV 200
- Back draught shutter RSK 200
- Louvre YG 200
- Louvre shutter VK 200
- Filterbox FLK 200
- Filterbox FLF 200
- Silencer LDC 200
- Transformer controller VRTE 1
- Transformer controller VRDE 1.5
- Speed controller VRS 1.0

TECHNICAL DATA

| | |
|-------------------------------------|---------------|
| Voltage | 230 V |
| Frequency | 50 Hz (60 Hz) |
| Phase | 1 ~ |
| Current | 0.67 A |
| Power | 154 W |
| Speed | 2730 r.p.m. |
| Capacitor | 5 µF |
| Max. temp of transported air | 80 °C |
| Sound pressure level, 3 m | 58 dB(A) |
| Weight | 8.4 kg |
| Wiring diagram | 4040001 |

SOUND DATA

| | L_{wa} tot dB (A) | 63 | 125 | 250 | 500 | 1K | 2K | 4K | 8K |
|----------------------------|---------------------|----|-----|-----|-----|----|----|----|----|
| 5.Surrounding 230 V | 65 | 33 | 47 | 62 | 61 | 53 | 48 | 42 | 36 |
| 5.Outlet 230 V | 82 | 65 | 70 | 77 | 79 | 71 | 70 | 66 | 63 |
| 5.Inlet 230 V | 78 | 65 | 66 | 74 | 74 | 65 | 63 | 60 | 57 |
| 4.Inlet 165 V | 75 | 54 | 64 | 74 | 68 | 59 | 57 | 56 | 51 |
| 3.Inlet 135 V | 67 | 51 | 59 | 65 | 60 | 51 | 50 | 50 | 35 |
| 2.Inlet 110 V | 64 | 51 | 64 | 50 | 48 | 38 | 38 | 26 | 16 |
| 1.Inlet 80 V | 52 | 42 | 50 | 42 | 38 | 28 | 18 | 13 | 11 |

MORE INFORMATION

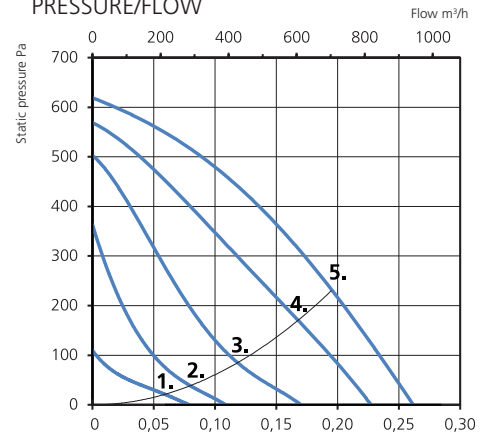


Find out the latest updated information about this product by visiting www.ostberg.com or by scanning QR code.

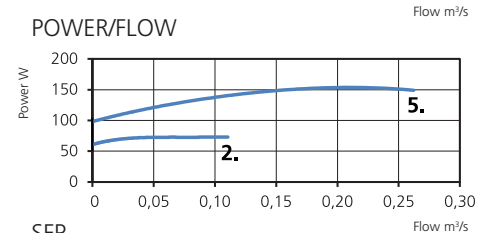
TRANSFORMER STEPS

1. 80 V 2. 110 V 3. 135 V 4. 165 V 5. 230 V

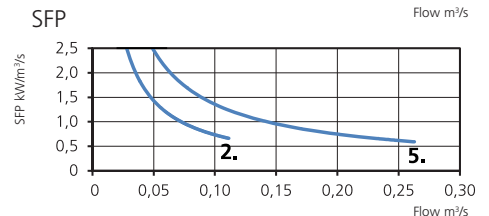
PRESSURE/FLOW



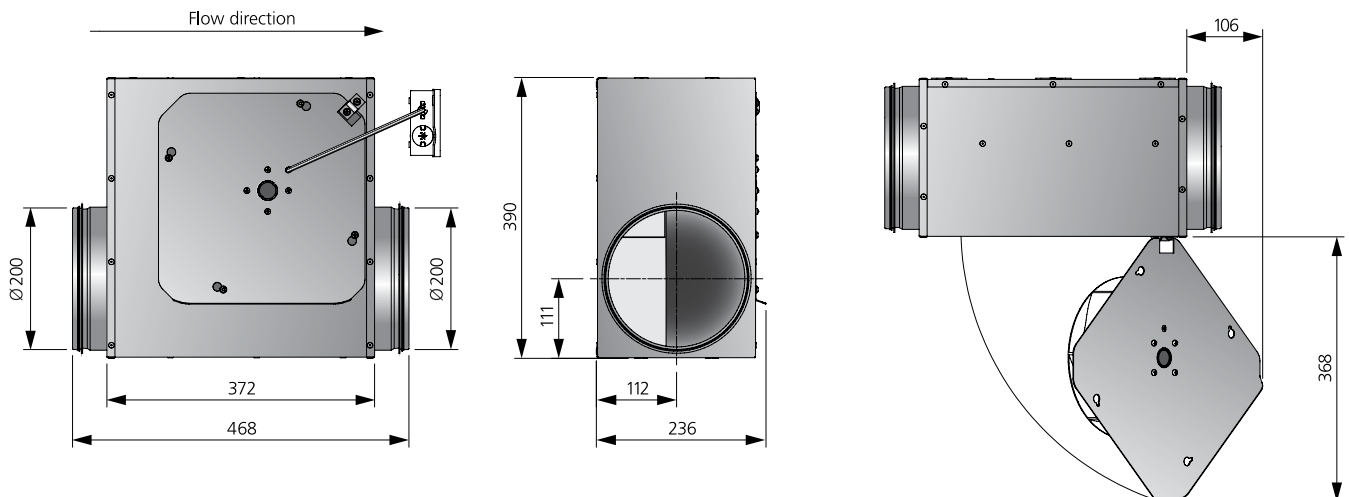
POWER/FLOW



SFP



DIMENSIONS (mm)



NON INSULATED DUCT FAN WITH CIRCULAR CONNECTIONS

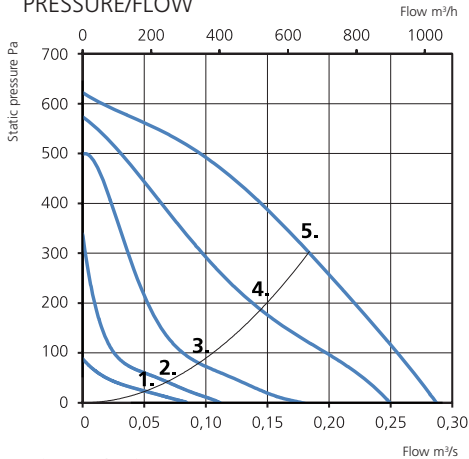
LPKB 250 D1 ErP

7540698

- Low profile duct fan with circular connections.
- A small and useful duct fan which are perfect for spaces with minimum height clearance.
- With one connection on the inlet side.
- High capacity and efficiency with low sound levels.
- Operational in both 50 and 60 Hz.
- Impeller with backward curved blades.
- The external rotor motor has maintenance-free sealed ball-bearings.
- Integrated motor protection.
- Junction box has enclosure class IP 54.
- For speed control a transformer or electronic speed controller can be connected.
- Fan housing is manufactured from galvanized sheet steel.
- Duct connections are equipped with rubber seals.
- The fan is intended to be installed in a duct system.
- A duct connected fan can be installed outside or in damp environments.
- The mounting brackets simplify installation in any position.



PRESSURE/FLOW



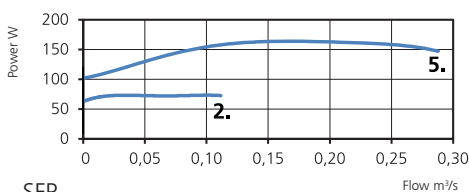
TECHNICAL DATA

| | |
|-------------------------------------|---------------|
| Voltage | 230 V |
| Frequency | 50 Hz (60 Hz) |
| Phase | 1 ~ |
| Current | 0.71 A |
| Power | 165 W |
| Speed | 2710 r.p.m. |
| Capacitor | 5 µF |
| Max. temp of transported air | 80 °C |
| Sound pressure level, 3 m | 54 dB(A) |
| Weight | 9.3 kg |
| Wiring diagram | 4040001 |

ACCESSORIES

- Mounting clamp MK 250
- Safety grille BSV 250
- Back draught shutter RSK 250
- Louvre YG 250
- Louvre shutter VK 250
- Filterbox FLK 250
- Filterbox FLF 250
- Silencer LDC 250
- Transformer controller VRTE 1
- Transformer controller VRDE 1.5
- Speed controller VRS 1.0

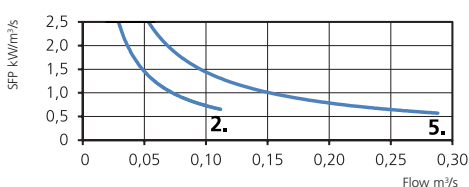
POWER/FLOW



SOUND DATA

| | L_{wa} tot dB (A) | 63 | 125 | 250 | 500 | 1K | 2K | 4K | 8K |
|----------------------------|---------------------|----|-----|-----|-----|----|----|----|----|
| 5.Surrounding 230 V | 61 | 38 | 42 | 58 | 56 | 51 | 47 | 44 | 38 |
| 5.Outlet 230 V | 81 | 63 | 64 | 78 | 74 | 70 | 69 | 65 | 62 |
| 5.Inlet 230 V | 80 | 59 | 62 | 79 | 69 | 63 | 63 | 61 | 60 |
| 4.Inlet 165 V | 70 | 52 | 58 | 68 | 62 | 56 | 57 | 55 | 52 |
| 3.Inlet 135 V | 61 | 42 | 60 | 52 | 50 | 42 | 42 | 39 | 31 |
| 2.Inlet 110 V | 58 | 38 | 57 | 47 | 44 | 36 | 36 | 33 | 29 |
| 1.Inlet 80 V | 51 | 38 | 50 | 40 | 35 | 25 | 23 | 27 | 24 |

SFP



TRANSFORMER STEPS

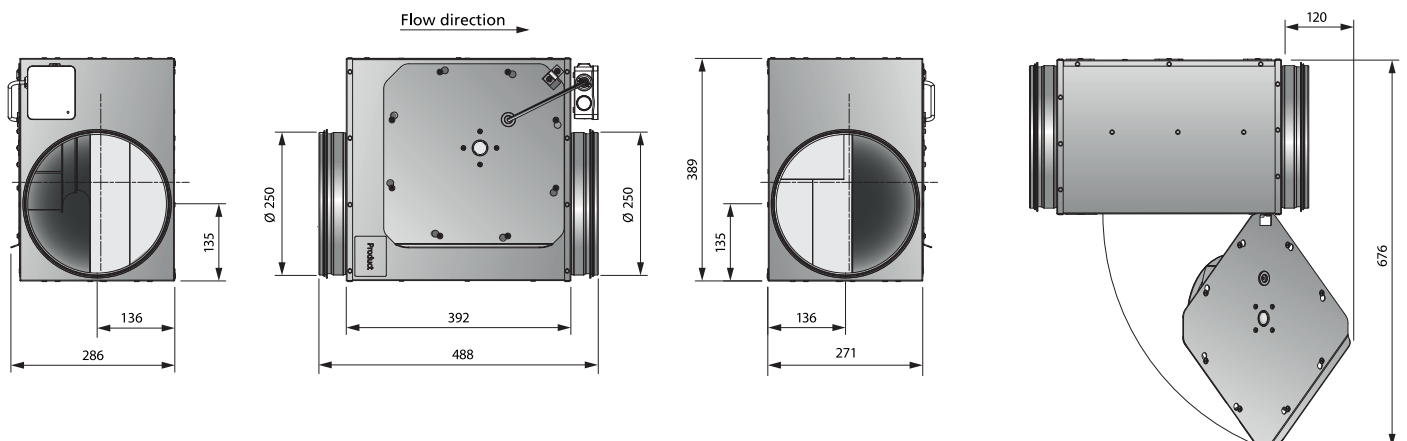
1. 80 V 2. 110 V 3. 135 V 4. 165 V 5. 230 V

MORE INFORMATION



Find out the latest updated information about this product by visiting www.ostberg.com or by scanning QR code.

DIMENSIONS (mm)



LPKB 250 E1 ErP

7540699



- Low profile duct fan with circular connections.
- A small and useful duct fan which are perfect for spaces with minimum height clearance.
- With one connection on the inlet side.
- High capacity and efficiency with low sound levels.
- Operational in both 50 and 60 Hz.
- Impeller with backward curved blades.
- The external rotor motor has maintenance-free sealed ball-bearings.
- Integrated motor protection.

- Junction box has enclosure class IP 54.
- For speed control a transformer or electronic speed controller can be connected.
- Fan housing is manufactured from galvanized sheet steel.
- Duct connections are equipped with rubber seals.
- The fan is intended to be installed in a duct system.
- A duct connected fan can be installed outside or in damp environments.
- The mounting brackets simplify installation in any position.

ACCESSORIES

- Mounting clamp MK 250
- Safety grille BSV 250
- Back draught shutter RSK 250
- Louvre YG 250
- Louvre shutter VK 250
- Filterbox FLK 250
- Filterbox FLF 250
- Silencer LDC 250
- Transformer controller VRTE 1
- Transformer controller VRDE 1.5
- Speed controller VRS 2.0

TECHNICAL DATA

| | |
|-------------------------------------|---------------|
| Voltage | 230 V |
| Frequency | 50 Hz (60 Hz) |
| Phase | 1 ~ |
| Current | 0.92 A |
| Power | 210 W |
| Speed | 2670 r.p.m. |
| Capacitor | 6 µF |
| Max. temp of transported air | 80 °C |
| Sound pressure level, 3 m | 53 dB(A) |
| Weight | 9.7 kg |
| Wiring diagram | 4040001 |

SOUND DATA

| | L _{wa} tot dB (A) | 63 | 125 | 250 | 500 | 1K | 2K | 4K | 8K |
|----------------------------|----------------------------|----|-----|-----|-----|----|----|----|----|
| 5.Surrounding 230 V | 60 | 32 | 42 | 57 | 55 | 50 | 48 | 46 | 41 |
| 5.Outlet 230 V | 79 | 59 | 62 | 76 | 73 | 68 | 70 | 65 | 59 |
| 5.Inlet 230 V | 75 | 60 | 62 | 72 | 68 | 62 | 65 | 62 | 57 |
| 4.Inlet 165 V | 70 | 55 | 59 | 67 | 63 | 56 | 60 | 55 | 50 |
| 3.Inlet 135 V | 63 | 47 | 58 | 60 | 54 | 48 | 50 | 44 | 37 |
| 2.Inlet 110 V | 54 | 43 | 50 | 49 | 46 | 40 | 38 | 32 | 28 |
| 1.Inlet 80 V | 45 | 39 | 41 | 38 | 34 | 26 | 25 | 20 | 21 |

MORE INFORMATION

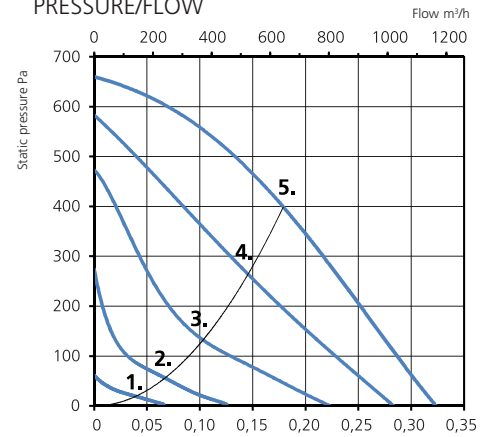


Find out the latest updated information about this product by visiting www.ostberg.com or by scanning QR code.

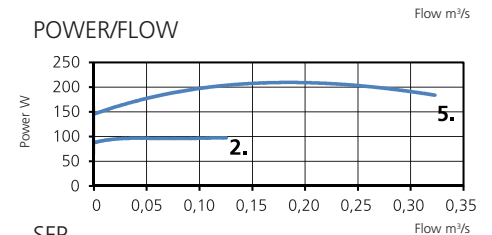
TRANSFORMER STEPS

1. 80 V 2. 110 V 3. 135 V 4. 165 V 5. 230 V

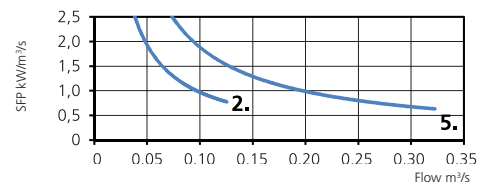
PRESSURE/FLOW



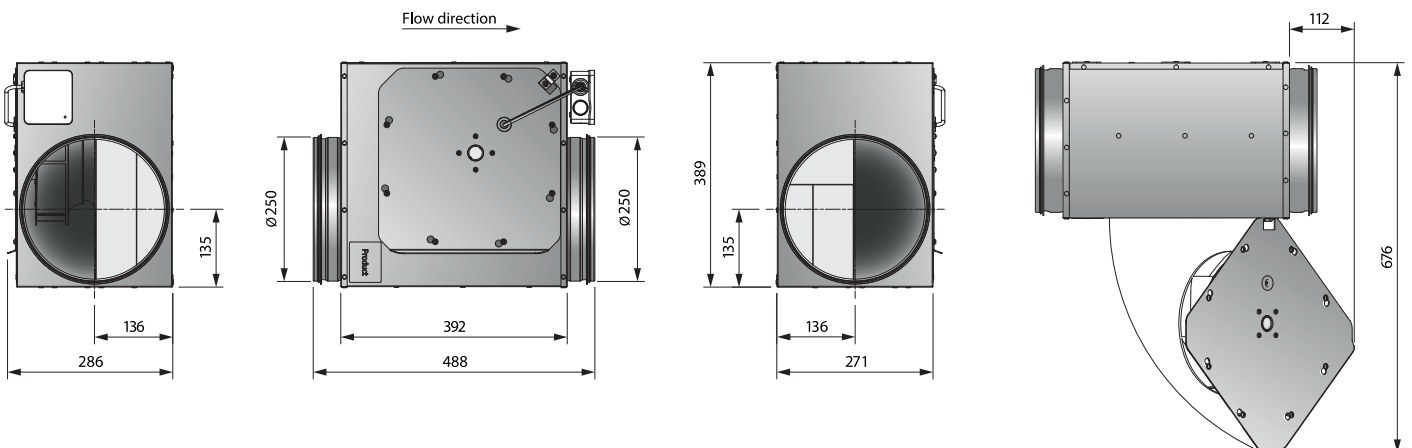
POWER/FLOW



SFP



DIMENSIONS (mm)



NON INSULATED DUCT FAN WITH CIRCULAR CONNECTIONS

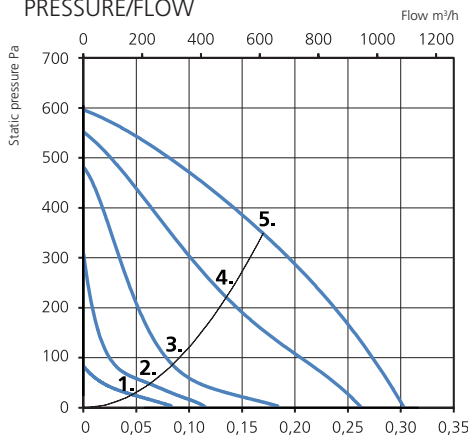
LPKB 315 B1 ErP

7540700

- Low profile duct fan with circular connections.
- A small and useful duct fan which are perfect for spaces with minimum height clearance.
- With one connection on the inlet side.
- High capacity and efficiency with low sound levels.
- Operational in both 50 and 60 Hz.
- Impeller with backward curved blades.
- The external rotor motor has maintenance-free sealed ball-bearings.
- Integrated motor protection.
- Junction box has enclosure class IP 54.
- For speed control a transformer or electronic speed controller can be connected.
- Fan housing is manufactured from galvanized sheet steel.
- Duct connections are equipped with rubber seals.
- The fan is intended to be installed in a duct system.
- A duct connected fan can be installed outside or in damp environments.
- The mounting brackets simplify installation in any position.



PRESSURE/FLOW



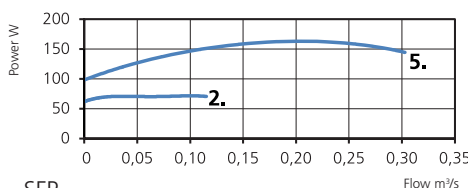
TECHNICAL DATA

| | |
|-------------------------------------|---------------|
| Voltage | 230 V |
| Frequency | 50 Hz (60 Hz) |
| Phase | 1 ~ |
| Current | 0.71 A |
| Power | 163 W |
| Speed | 2700 r.p.m. |
| Capacitor | 5 µF |
| Max. temp of transported air | 80 °C |
| Sound pressure level, 3 m | 52 dB(A) |
| Weight | 13.0 kg |
| Wiring diagram | 4040001 |

ACCESSORIES

- Mounting clamp MK 315
- Safety grille BSV 315
- Back draught shutter RSK 315
- Louvre YG 315
- Louvre shutter VK 315
- Filterbox FLK 315
- Filterbox FLF 315
- Silencer LDC 315
- Transformer controller VRTE 1
- Transformer controller VRDE 1.5
- Speed controller VRS 1.0

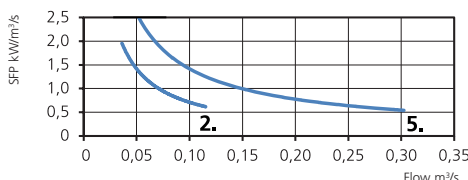
POWER/FLOW



SOUND DATA

| | L_{wa} tot dB (A) | 63 | 125 | 250 | 500 | 1K | 2K | 4K | 8K |
|----------------------------|---------------------|----|-----|-----|-----|----|----|----|----|
| 5.Surrounding 230 V | 59 | 37 | 43 | 56 | 54 | 47 | 43 | 41 | 37 |
| 5.Outlet 230 V | 78 | 62 | 62 | 75 | 70 | 66 | 68 | 63 | 59 |
| 5.Inlet 230 V | 73 | 59 | 64 | 69 | 62 | 62 | 62 | 61 | 58 |
| 4.Inlet 165 V | 70 | 53 | 66 | 65 | 56 | 56 | 56 | 57 | 50 |
| 3.Inlet 135 V | 67 | 47 | 67 | 51 | 46 | 44 | 48 | 46 | 32 |
| 2.Inlet 110 V | 66 | 49 | 65 | 46 | 45 | 39 | 42 | 33 | 25 |
| 1.Inlet 80 V | 59 | 40 | 59 | 38 | 34 | 26 | 25 | 24 | 22 |

SFP



TRANSFORMER STEPS

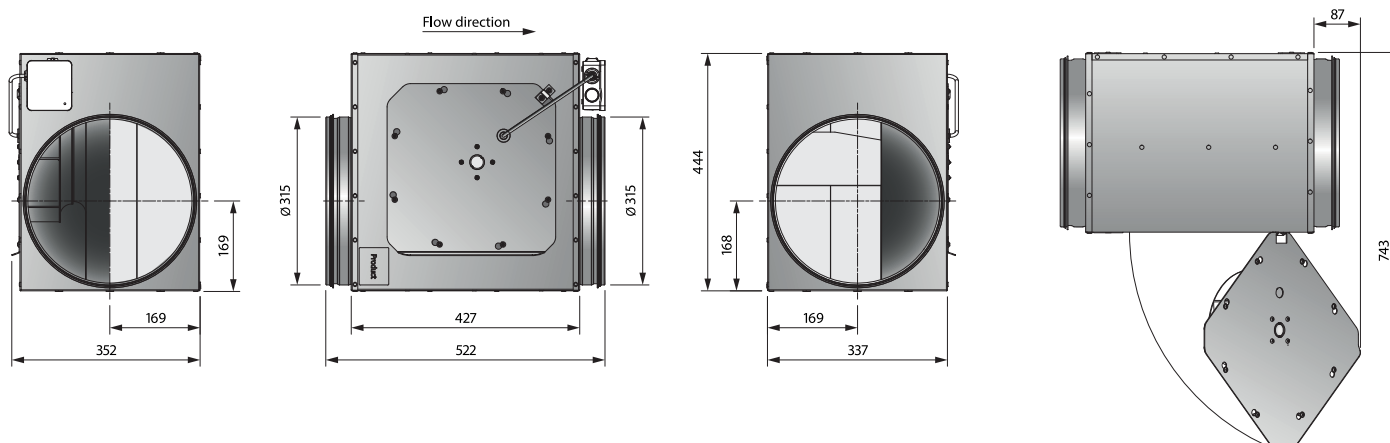
1. 80 V 2. 110 V 3. 135 V 4. 165 V 5. 230 V

MORE INFORMATION



Find out the latest updated information about this product by visiting www.ostberg.com or by scanning QR code.

DIMENSIONS (mm)



LPKB 315 D1 ErP

7540701



- Low profile duct fan with circular connections.
- A small and useful duct fan which are perfect for spaces with minimum height clearance.
- With one connection on the inlet side.
- High capacity and efficiency with low sound levels.
- Operational in both 50 and 60 Hz.
- Impeller with backward curved blades.
- The external rotor motor has maintenance-free sealed ball-bearings.
- Integrated motor protection.

- Junction box has enclosure class IP 54.
- For speed control a transformer or electronic speed controller can be connected.
- Fan housing is manufactured from galvanized sheet steel.
- Duct connections are equipped with rubber seals.
- The fan is intended to be installed in a duct system.
- A duct connected fan can be installed outside or in damp environments.
- The mounting brackets simplify installation in any position.

ACCESSORIES

- Mounting clamp MK 315
- Safety grille BSV 315
- Back draught shutter RSK 315
- Louvre YG 315
- Louvre shutter VK 315
- Filterbox FLK 315
- Filterbox FLF 315
- Silencer LDC 315
- Transformer controller VRTE 1
- Transformer controller VRDE 1.5
- Speed controller VRS 2.0

TECHNICAL DATA

| | |
|-------------------------------------|---------------|
| Voltage | 230 V |
| Frequency | 50 Hz (60 Hz) |
| Phase | 1 ~ |
| Current | 0.93 A |
| Power | 212 W |
| Speed | 2670 r.p.m. |
| Capacitor | 6 µF |
| Max. temp of transported air | 80 °C |
| Sound pressure level, 3 m | 53 dB(A) |
| Weight | 13.4 kg |
| Wiring diagram | 4040001 |

SOUND DATA

| | L_{wa} tot dB (A) | 63 | 125 | 250 | 500 | 1K | 2K | 4K | 8K |
|----------------------------|---------------------|----|-----|-----|-----|----|----|----|----|
| 5.Surrounding 230 V | 60 | 35 | 43 | 57 | 54 | 49 | 48 | 44 | 42 |
| 5.Outlet 230 V | 78 | 59 | 63 | 74 | 71 | 66 | 70 | 66 | 60 |
| 5.Inlet 230 V | 73 | 58 | 60 | 69 | 64 | 63 | 66 | 62 | 58 |
| 4.Inlet 165 V | 69 | 53 | 61 | 65 | 59 | 58 | 62 | 57 | 52 |
| 3.Inlet 135 V | 67 | 46 | 64 | 62 | 51 | 49 | 52 | 46 | 37 |
| 2.Inlet 110 V | 58 | 39 | 57 | 45 | 44 | 39 | 37 | 30 | 27 |
| 1.Inlet 80 V | 53 | 39 | 52 | 36 | 31 | 27 | 27 | 21 | 23 |

MORE INFORMATION

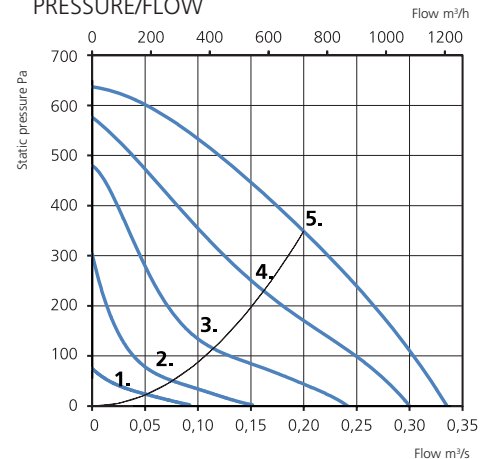


Find out the latest updated information about this product by visiting www.ostberg.com or by scanning QR code.

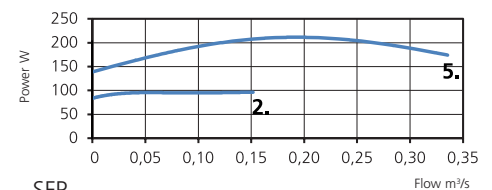
TRANSFORMER STEPS

1. 80 V 2. 110 V 3. 135 V 4. 165 V 5. 230 V

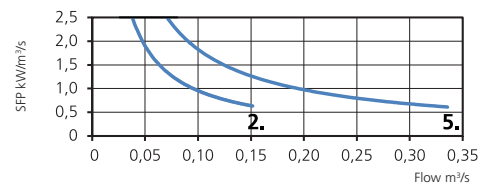
PRESSURE/FLOW



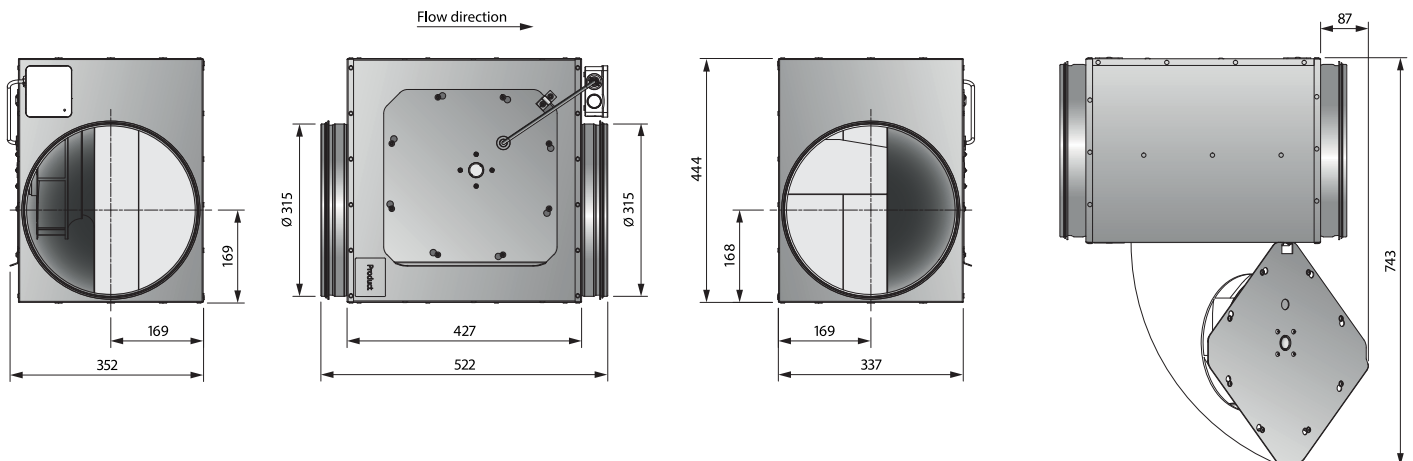
POWER/FLOW



SFP



DIMENSIONS (mm)



NON INSULATED DUCT FAN WITH CIRCULAR CONNECTIONS

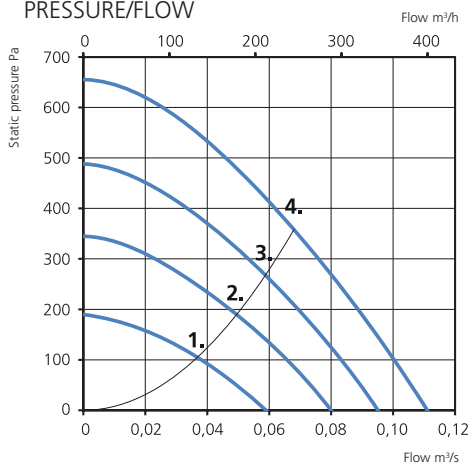
LPKB 100 C1 EC

7540392

- Low profile duct fan with circular connections.
- A small and useful duct fan which are perfect for spaces with minimum height clearance.
- With one connection on the inlet side.
- High capacity and efficiency with low sound levels.
- Impeller with backward curved blades.
- The external rotor motor has maintenance-free sealed ball-bearings and is very energy efficient.
- Speed controlling can be done with the built-in potentiometer, 0-10 V alt. external control.
- Integrated motor protection.
- Junction box has enclosure class IP 54.
- Fan housing is manufactured from galvanized sheet steel.
- Duct connections are equipped with rubber seals.
- The fan is intended to be installed in a duct system.
- A duct connected fan can be installed outside or in damp environments.
- The mounting brackets simplify installation in any position.



PRESSURE/FLOW



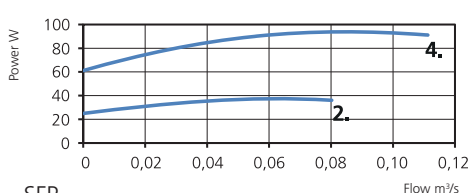
TECHNICAL DATA

| | |
|-------------------------------------|-------------|
| Voltage | 230 V |
| Frequency | 50/60 Hz |
| Phase | 1 ~ |
| Current | 0.77 A |
| Power | 94 W |
| Speed | 3600 r.p.m. |
| Capacitor | |
| Max. temp of transported air | 60 °C |
| Sound pressure level, 3 m | 52 dB(A) |
| Weight | 5.3 kg |
| Wiring diagram | 4040143 |

ACCESSORIES

- Mounting clamp MK 100
- Safety grille BSV 100
- Back draught shutter RSK 100
- Louvre YG 100
- Louvre shutter VK 100
- Filterbox FLK 100
- Filterbox FLF 100
- Silencer LDC 100
- Speed controller MS EC
- Pressure regulator CALAIR-PR-230V
- Pressure regulator FKP-R

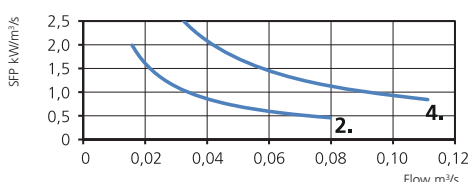
POWER/FLOW



SOUND DATA

| | L_{wa} tot dB (A) | 63 | 125 | 250 | 500 | 1K | 2K | 4K | 8K |
|---------------------------|---------------------|----|-----|-----|-----|----|----|----|----|
| 4.Surrounding 10 V | 59 | 35 | 40 | 54 | 56 | 49 | 49 | 44 | 35 |
| 4.Outlet 10 V | 78 | 60 | 66 | 67 | 75 | 71 | 70 | 65 | 57 |
| 4.Inlet 10 V | 76 | 55 | 64 | 67 | 73 | 64 | 66 | 63 | 53 |
| 3.Inlet 8 V | 72 | 57 | 61 | 65 | 69 | 61 | 63 | 59 | 48 |
| 2.Inlet 7 V | 67 | 53 | 58 | 60 | 64 | 56 | 58 | 53 | 42 |
| 1.Inlet 5 V | 61 | 50 | 52 | 53 | 56 | 50 | 51 | 44 | 30 |

SFP



CONTROL VOLTAGE

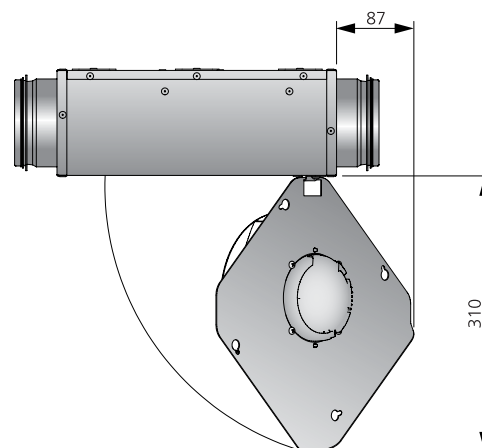
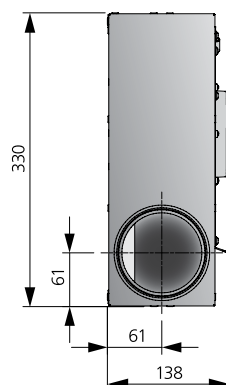
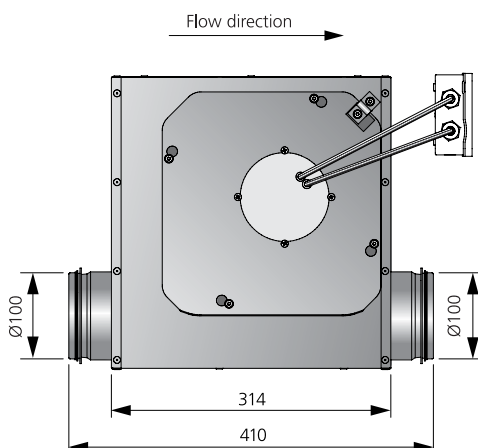
1. 5 V 2. 7 V 3. 8 V 4. 10 V

MORE INFORMATION



Find out the latest updated information about this product by visiting www.ostberg.com or by scanning QR code.

DIMENSIONS (mm)



LPKB 125 C1 EC

7540396



- Low profile duct fan with circular connections.
- A small and useful duct fan which are perfect for spaces with minimum height clearance.
- With one connection on the inlet side.
- High capacity and efficiency with low sound levels.
- Impeller with backward curved blades.
- The external rotor motor has maintenance-free sealed ball-bearings and is very energy efficient.
- Speed controlling can be done with the built-in potentiometer, 0-10 V alt. external control.
- Integrated motor protection.

- Junction box has enclosure class IP 54.
- Fan housing is manufactured from galvanized sheet steel.
- Duct connections are equipped with rubber seals.
- The fan is intended to be installed in a duct system.
- A duct connected fan can be installed outside or in damp environments.
- The mounting brackets simplify installation in any position.

ACCESSORIES

- Mounting clamp MK 125
- Safety grille BSV 125
- Back draught shutter RSK 125
- Louvre YG 125
- Louvre shutter VK 125
- Filterbox FLK 125
- Filterbox FLF 125
- Silencer LDC 125
- Speed controller MS EC
- Pressure regulator CALAIR-PR-230V
- Pressure regulator FKP-R

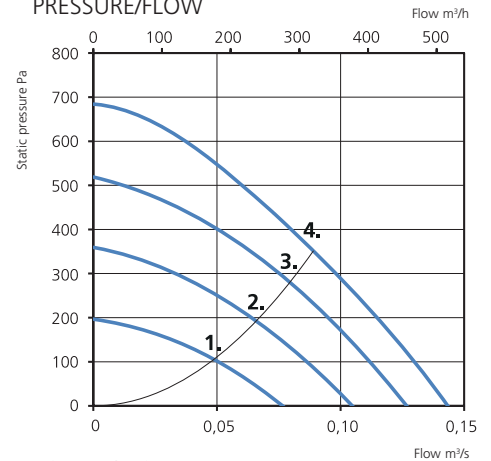
TECHNICAL DATA

| | |
|-------------------------------------|-------------|
| Voltage | 230 V |
| Frequency | 50/60 Hz |
| Phase | 1 ~ |
| Current | 0.81 A |
| Power | 100 W |
| Speed | 3540 r.p.m. |
| Capacitor | |
| Max. temp of transported air | 60 °C |
| Sound pressure level, 3 m | 54 dB(A) |
| Weight | 5.5 kg |
| Wiring diagram | 4040143 |

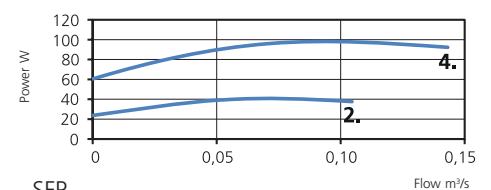
SOUND DATA

| | L _{WA} tot dB (A) | 63 | 125 | 250 | 500 | 1K | 2K | 4K | 8K |
|---------------------------|----------------------------|----|-----|-----|-----|----|----|----|----|
| 4.Surrounding 10 V | 61 | 29 | 44 | 54 | 59 | 51 | 49 | 44 | 36 |
| 4.Outlet 10 V | 80 | 61 | 67 | 69 | 77 | 72 | 69 | 66 | 58 |
| 4.Inlet 10 V | 78 | 58 | 65 | 68 | 76 | 64 | 65 | 63 | 54 |
| 3.Inlet 8 V | 76 | 56 | 63 | 67 | 75 | 62 | 62 | 60 | 51 |
| 2.Inlet 7 V | 70 | 53 | 60 | 65 | 67 | 57 | 58 | 55 | 45 |
| 1.Inlet 5 V | 65 | 47 | 54 | 62 | 60 | 50 | 50 | 46 | 34 |

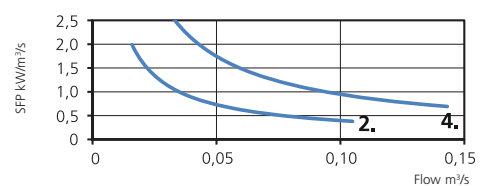
PRESSURE/FLOW



POWER/FLOW



SFP



MORE INFORMATION

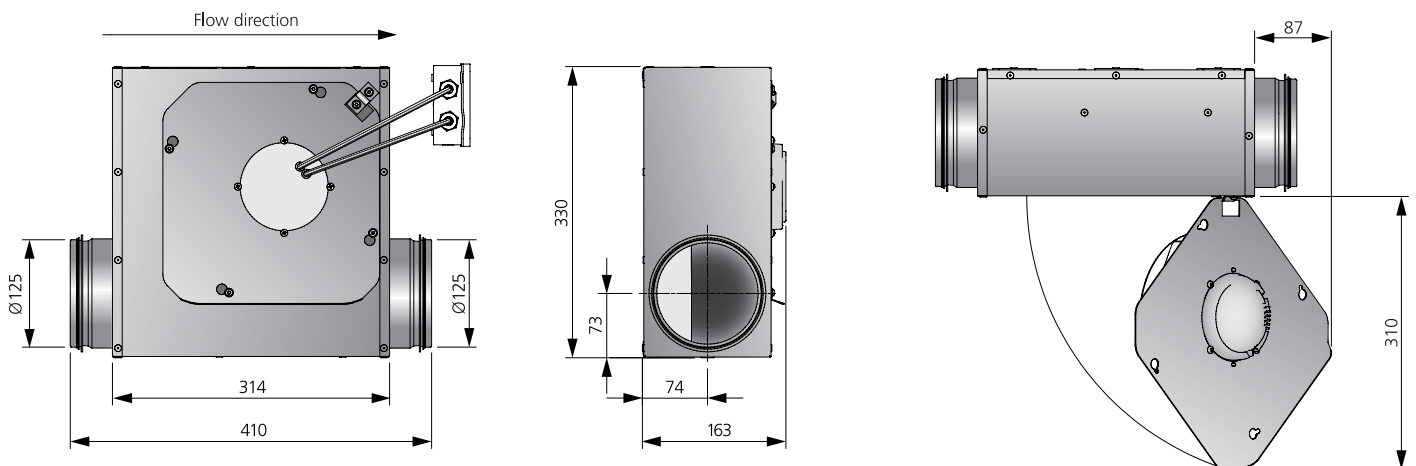


Find out the latest updated information about this product by visiting www.ostberg.com or by scanning QR code.

CONTROL VOLTAGE

1. 5 V 2. 7 V 3. 8 V 4. 10 V

DIMENSIONS (mm)



NON INSULATED DUCT FAN WITH CIRCULAR CONNECTIONS

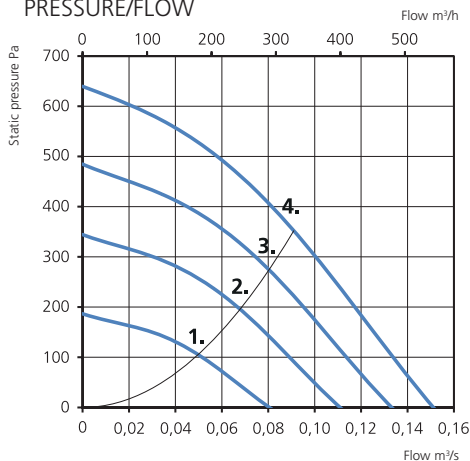
LPKB 160 B1 EC

7540410

- Low profile duct fan with circular connections.
- A small and useful duct fan which are perfect for spaces with minimum height clearance.
- With one connection on the inlet side.
- High capacity and efficiency with low sound levels.
- Impeller with backward curved blades.
- The external rotor motor has maintenance-free sealed ball-bearings and is very energy efficient.
- Speed controlling can be done with the built-in potentiometer, 0-10 V alt. external control.
- Integrated motor protection.
- Junction box has enclosure class IP 54.
- Fan housing is manufactured from galvanized sheet steel.
- Duct connections are equipped with rubber seals.
- The fan is intended to be installed in a duct system.
- A duct connected fan can be installed outside or in damp environments.
- The mounting brackets simplify installation in any position.



PRESSURE/FLOW



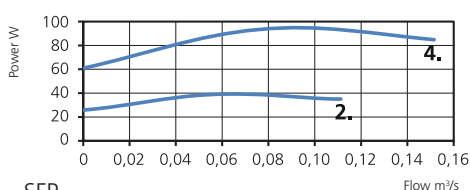
TECHNICAL DATA

| | |
|-------------------------------------|-------------|
| Voltage | 230 V |
| Frequency | 50/60 Hz |
| Phase | 1 ~ |
| Current | 0.81 A |
| Power | 95 W |
| Speed | 3580 r.p.m. |
| Capacitor | |
| Max. temp of transported air | 60 °C |
| Sound pressure level, 3 m | 53 dB(A) |
| Weight | 7.1 kg |
| Wiring diagram | 4040143 |

ACCESSORIES

- Mounting clamp MK 160
- Safety grille BSV 160
- Back draught shutter RSK 160
- Louvre YG 160
- Louvre shutter VK 160
- Filterbox FLK 160
- Filterbox FLF 160
- Silencer LDC 160
- Speed controller MS EC
- Pressure regulator CALAIR-PR-230V
- Pressure regulator FKP-R

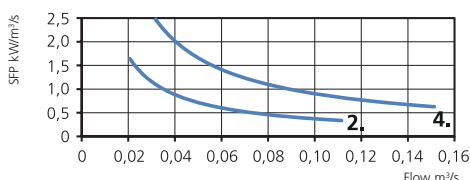
POWER/FLOW



SOUND DATA

| | L_{WA} tot dB (A) | 63 | 125 | 250 | 500 | 1K | 2K | 4K | 8K |
|---------------------------|---------------------|----|-----|-----|-----|----|----|----|----|
| 4.Surrounding 10 V | 60 | 34 | 43 | 52 | 58 | 50 | 49 | 43 | 34 |
| 4.Outlet 10 V | 77 | 59 | 64 | 69 | 74 | 67 | 67 | 65 | 57 |
| 4.Inlet 10 V | 76 | 57 | 65 | 68 | 72 | 67 | 63 | 63 | 55 |
| 3.Inlet 8 V | 72 | 54 | 63 | 65 | 69 | 63 | 60 | 59 | 51 |
| 2.Inlet 7 V | 68 | 53 | 61 | 63 | 64 | 59 | 55 | 54 | 44 |
| 1.Inlet 5 V | 61 | 46 | 52 | 57 | 57 | 51 | 47 | 44 | 32 |

SFP



CONTROL VOLTAGE

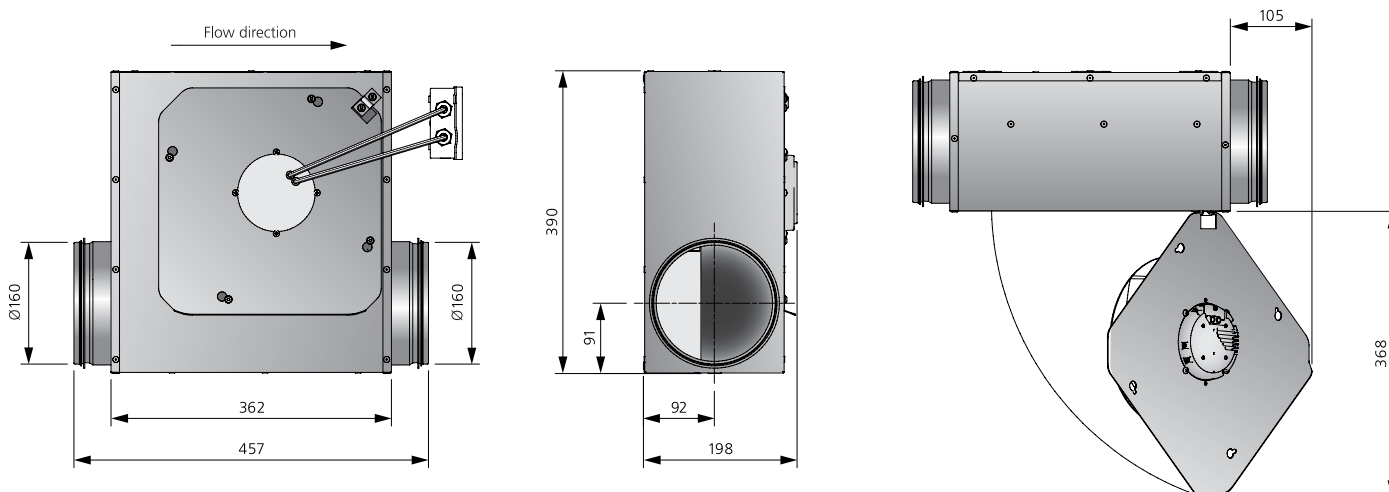
1. 5 V 2. 7 V 3. 8 V 4. 10 V

MORE INFORMATION



Find out the latest updated information about this product by visiting www.ostberg.com or by scanning QR code.

DIMENSIONS (mm)



LPKB 160 C1 EC

7540390



- Low profile duct fan with circular connections.
- A small and useful duct fan which are perfect for spaces with minimum height clearance.
- With one connection on the inlet side.
- High capacity and efficiency with low sound levels.
- Impeller with backward curved blades.
- The external rotor motor has maintenance-free sealed ball-bearings and is very energy efficient.
- Speed controlling can be done with the built-in potentiometer, 0-10 V alt. external control.
- Integrated motor protection.

- Junction box has enclosure class IP 54.
- Fan housing is manufactured from galvanized sheet steel.
- Duct connections are equipped with rubber seals.
- The fan is intended to be installed in a duct system.
- A duct connected fan can be installed outside or in damp environments.
- The mounting brackets simplify installation in any position.

ACCESSORIES

- Mounting clamp MK 160
- Safety grille BSV 160
- Back draught shutter RSK 160
- Louvre YG 160
- Louvre shutter VK 160
- Filterbox FLK 160
- Filterbox FLF 160
- Silencer LDC 160
- Speed controller MS EC
- Pressure regulator CALAIR-PR-230V
- Pressure regulator FKP-R

TECHNICAL DATA

| | |
|-------------------------------------|-------------|
| Voltage | 230 V |
| Frequency | 50/60 Hz |
| Phase | 1 ~ |
| Current | 0.94 A |
| Power | 115 W |
| Speed | 2930 r.p.m. |
| Capacitor | |
| Max. temp of transported air | 60 °C |
| Sound pressure level, 3 m | 52 dB(A) |
| Weight | 6.4 kg |
| Wiring diagram | 4040180 |

SOUND DATA

| | L _{WA} tot dB (A) | 63 | 125 | 250 | 500 | 1K | 2K | 4K | 8K |
|---------------------------|----------------------------|----|-----|-----|-----|----|----|----|----|
| 4.Surrounding 10 V | 59 | 31 | 44 | 55 | 56 | 49 | 47 | 41 | 34 |
| 4.Outlet 10 V | 77 | 61 | 66 | 72 | 74 | 67 | 66 | 63 | 55 |
| 4.Inlet 10 V | 76 | 54 | 65 | 72 | 71 | 64 | 59 | 58 | 52 |
| 3.Inlet 8.5 V | 73 | 52 | 64 | 69 | 68 | 62 | 56 | 55 | 48 |
| 2.Inlet 7 V | 69 | 51 | 62 | 65 | 63 | 57 | 51 | 50 | 41 |
| 1.Inlet 5 V | 62 | 48 | 56 | 56 | 57 | 50 | 43 | 40 | 29 |

MORE INFORMATION

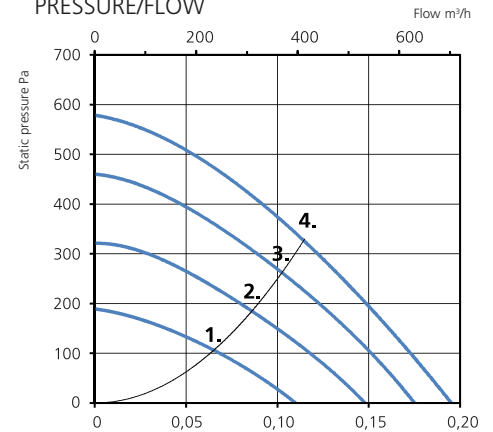


Find out the latest updated information about this product by visiting www.ostberg.com or by scanning QR code.

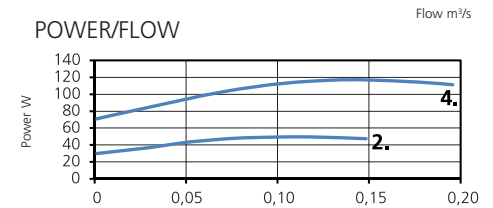
CONTROL VOLTAGE

1. 5 V 2. 7 V 3. 8.5 V 4. 10 V

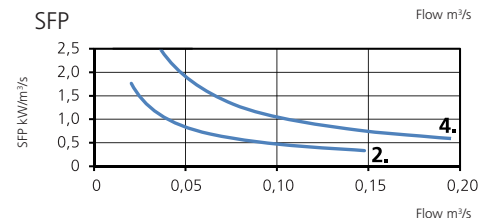
PRESSURE/FLOW



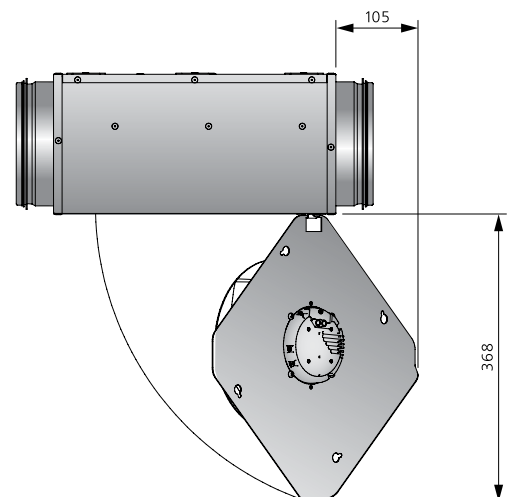
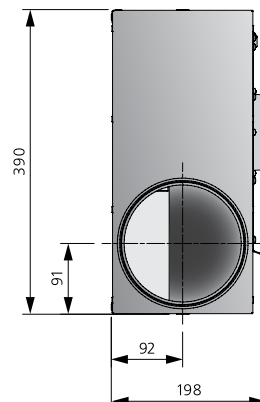
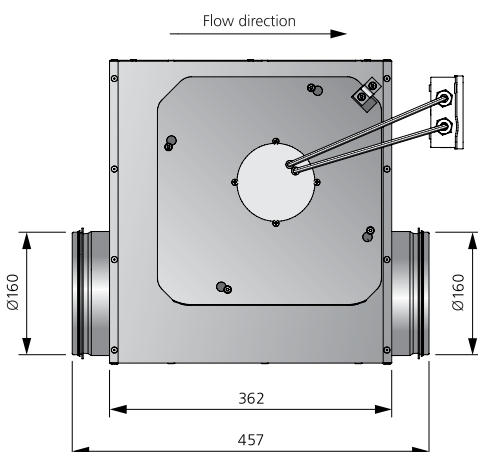
POWER/FLOW



SFP



DIMENSIONS (mm)



NON INSULATED DUCT FAN WITH CIRCULAR CONNECTIONS

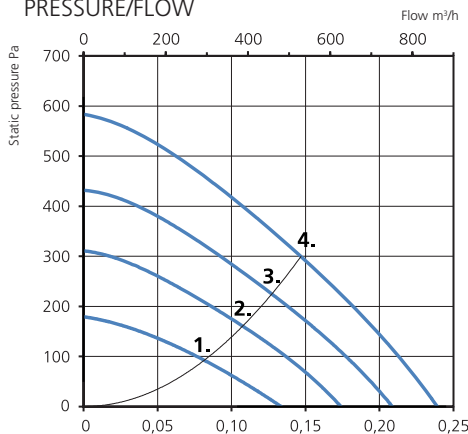
LPKB 200 A1 EC

7540711

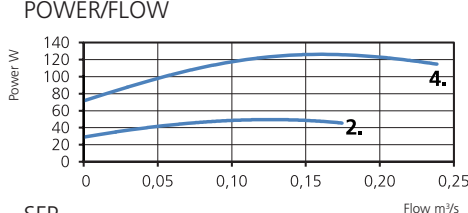
- Low profile duct fan with circular connections.
- A small and useful duct fan which are perfect for spaces with minimum height clearance.
- With one connection on the inlet side.
- High capacity and efficiency with low sound levels.
- Impeller with backward curved blades.
- The external rotor motor has maintenance-free sealed ball-bearings and is very energy efficient.
- Speed controlling can be done with the built-in potentiometer, 0-10 V alt. external control.
- Integrated motor protection.
- Junction box has enclosure class IP 54.
- Fan housing is manufactured from galvanized sheet steel.
- Duct connections are equipped with rubber seals.
- The fan is intended to be installed in a duct system.
- A duct connected fan can be installed outside or in damp environments.
- The mounting brackets simplify installation in any position.



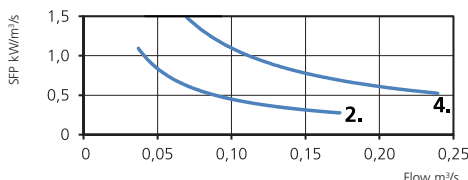
PRESSURE/FLOW



POWER/FLOW



SFP



TECHNICAL DATA

| | |
|-------------------------------------|-------------|
| Voltage | 230 V |
| Frequency | 50/60 Hz |
| Phase | 1 ~ |
| Current | 1.04 A |
| Power | 126 W |
| Speed | 2860 r.p.m. |
| Capacitor | |
| Max. temp of transported air | 60 °C |
| Sound pressure level, 3 m | 54 dB(A) |
| Weight | 7.4 kg |
| Wiring diagram | 4040180 |

ACCESSORIES

- Mounting clamp MK 200
- Safety grille BSV 200
- Back draught shutter RSK 200
- Louvre YG 200
- Louvre shutter VK 200
- Filterbox FLK 200
- Filterbox FLF 200
- Silencer LDC 200
- Speed controller MS EC
- Pressure regulator CALAIR-PR-230V
- Pressure regulator FKP-R

SOUND DATA

| | L_{wa} tot dB (A) | 63 | 125 | 250 | 500 | 1K | 2K | 4K | 8K |
|---------------------------|---------------------|----|-----|-----|-----|----|----|----|----|
| 4.Surrounding 10 V | 61 | 35 | 43 | 58 | 56 | 50 | 48 | 44 | 36 |
| 4.Outlet 10 V | 78 | 60 | 66 | 73 | 73 | 65 | 67 | 63 | 57 |
| 4.Inlet 10 V | 75 | 55 | 66 | 70 | 70 | 64 | 64 | 61 | 55 |
| 3.Inlet 8 V | 71 | 54 | 63 | 67 | 66 | 60 | 60 | 58 | 51 |
| 2.Inlet 7 V | 68 | 52 | 61 | 64 | 62 | 55 | 56 | 53 | 44 |
| 1.Inlet 5 V | 61 | 49 | 54 | 56 | 54 | 48 | 49 | 43 | 31 |

CONTROL VOLTAGE

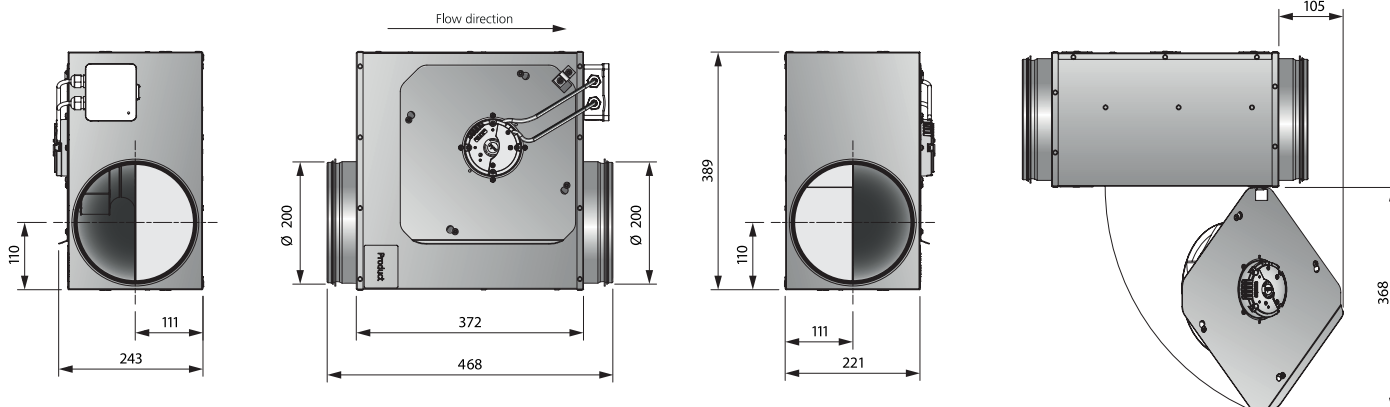
1. 5 V 2. 7 V 3. 8 V 4. 10 V

MORE INFORMATION



Find out the latest updated information about this product by visiting www.ostberg.com or by scanning QR code.

DIMENSIONS (mm)



LPKB 200 C1 EC

7540276



- Low profile duct fan with circular connections.
- A small and useful duct fan which are perfect for spaces with minimum height clearance.
- With one connection on the inlet side.
- High capacity and efficiency with low sound levels.
- Impeller with backward curved blades.
- The external rotor motor has maintenance-free sealed ball-bearings and is very energy efficient.
- Speed controlling can be done with the built-in potentiometer, 0-10 V alt. external control.
- Integrated motor protection.

- Junction box has enclosure class IP 54.
- Fan housing is manufactured from galvanized sheet steel.
- Duct connections are equipped with rubber seals.
- The fan is intended to be installed in a duct system.
- A duct connected fan can be installed outside or in damp environments.
- The mounting brackets simplify installation in any position.

ACCESSORIES

- Mounting clamp MK 200
- Safety grille BSV 200
- Back draught shutter RSK 200
- Louvre YG 200
- Louvre shutter VK 200
- Filterbox FLK 200
- Filterbox FLF 200
- Silencer LDC 200
- Speed controller MS EC
- Pressure regulator CALAIR-PR-230V
- Pressure regulator FKP-R

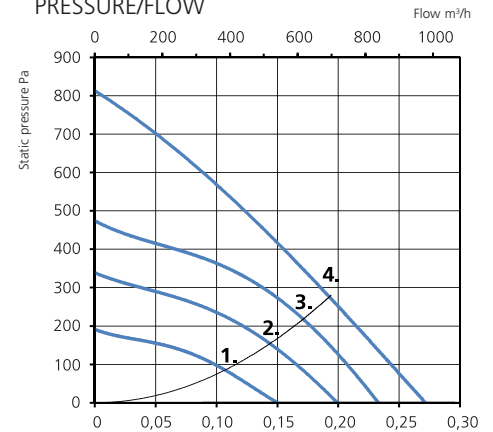
TECHNICAL DATA

| | |
|-------------------------------------|-------------|
| Voltage | 230 V |
| Frequency | 50/60 Hz |
| Phase | 1 ~ |
| Current | 1.27 A |
| Power | 162 W |
| Speed | 2870 r.p.m. |
| Capacitor | |
| Max. temp of transported air | 50 °C |
| Sound pressure level, 3 m | 56 dB(A) |
| Weight | 7.4 kg |
| Wiring diagram | 4040143 |

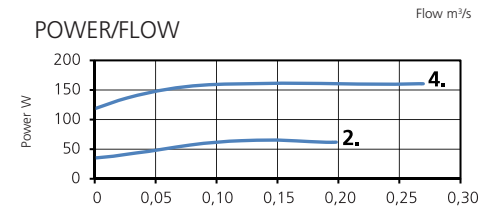
SOUND DATA

| | L _{WA} tot dB (A) | 63 | 125 | 250 | 500 | 1K | 2K | 4K | 8K |
|---------------------------|----------------------------|----|-----|-----|-----|----|----|----|----|
| 4.Surrounding 10 V | 63 | 41 | 49 | 58 | 60 | 54 | 49 | 43 | 34 |
| 4.Outlet 10 V | 84 | 64 | 69 | 79 | 80 | 74 | 72 | 68 | 60 |
| 4.Inlet 10 V | 79 | 61 | 68 | 75 | 76 | 67 | 67 | 62 | 54 |
| 3.Inlet 8 V | 75 | 57 | 65 | 71 | 71 | 63 | 63 | 58 | 49 |
| 2.Inlet 7 V | 72 | 54 | 62 | 69 | 67 | 59 | 58 | 53 | 42 |
| 1.Inlet 5.5 V | 66 | 50 | 57 | 62 | 61 | 51 | 49 | 42 | 31 |

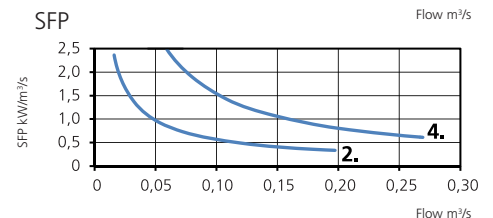
PRESSURE/FLOW



POWER/FLOW



SFP



MORE INFORMATION

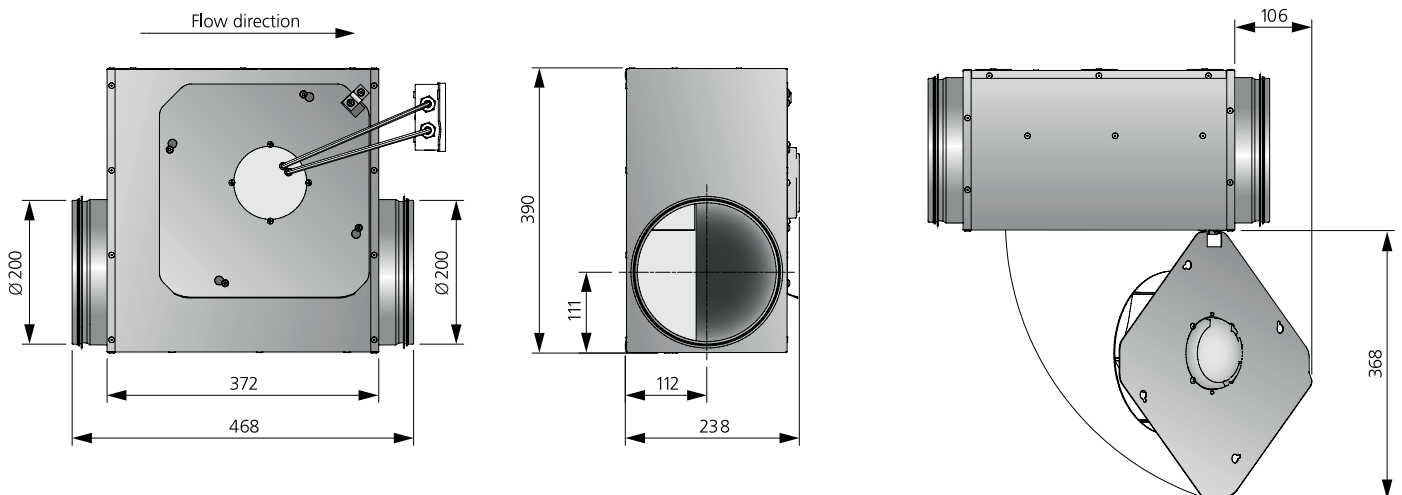


Find out the latest updated information about this product by visiting www.ostberg.com or by scanning QR code.

CONTROL VOLTAGE

1. 5.5 V 2. 7 V 3. 8 V 4. 10 V

DIMENSIONS (mm)



NON INSULATED DUCT FAN WITH CIRCULAR CONNECTIONS

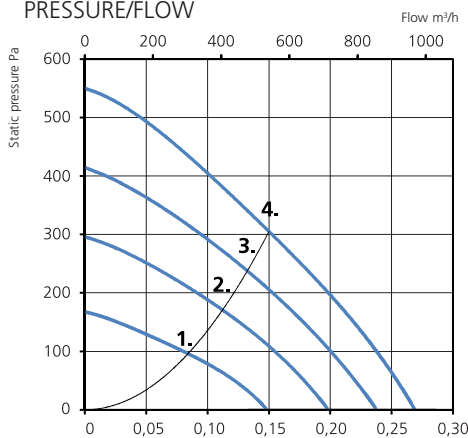
LPKB 250 B1 EC

7540702

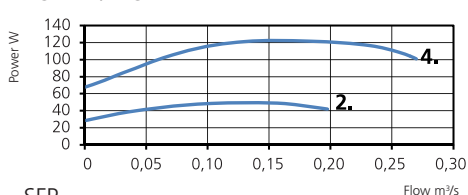
- Low profile duct fan with circular connections.
- A small and useful duct fan which are perfect for spaces with minimum height clearance.
- With one connection on the inlet side.
- High capacity and efficiency with low sound levels.
- Impeller with backward curved blades.
- The external rotor motor has maintenance-free sealed ball-bearings and is very energy efficient.
- Speed controlling can be done with the built-in potentiometer, 0-10 V alt. external control.
- Integrated motor protection.
- Junction box has enclosure class IP 54.
- Fan housing is manufactured from galvanized sheet steel.
- Duct connections are equipped with rubber seals.
- The fan is intended to be installed in a duct system.
- A duct connected fan can be installed outside or in damp environments.
- The mounting brackets simplify installation in any position.



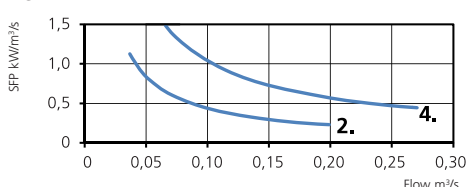
PRESSURE/FLOW



POWER/FLOW



SFP



TECHNICAL DATA

| | |
|------------------------------|-------------|
| Voltage | 230 V |
| Frequency | 50/60 Hz |
| Phase | 1 ~ |
| Current | 0.96 A |
| Power | 122 W |
| Speed | 2900 r.p.m. |
| Capacitor | |
| Max. temp of transported air | 60 °C |
| Sound pressure level, 3 m | 52 dB(A) |
| Weight | 8.3 kg |
| Wiring diagram | 4040180 |

ACCESSORIES

- Mounting clamp MK 250
- Safety grille BSV 250
- Back draught shutter RSK 250
- Louvre YG 250
- Louvre shutter VK 250
- Filterbox FLK 250
- Filterbox FLF 250
- Silencer LDC 250
- Speed controller MS EC
- Pressure regulator CALAIR-PR-230V
- Pressure regulator FKP-R

SOUND DATA

| | L_{wa} tot dB (A) | 63 | 125 | 250 | 500 | 1K | 2K | 4K | 8K |
|--------------------|---------------------|----|-----|-----|-----|----|----|----|----|
| 4.Surrounding 10 V | 59 | 27 | 38 | 56 | 55 | 47 | 45 | 43 | 36 |
| 4.Outlet 10 V | 78 | 57 | 62 | 74 | 72 | 66 | 68 | 66 | 57 |
| 4.Inlet 10 V | 73 | 55 | 60 | 69 | 66 | 62 | 64 | 63 | 55 |
| 3.Inlet 8 V | 70 | 54 | 59 | 67 | 62 | 59 | 61 | 59 | 51 |
| 2.Inlet 7 V | 66 | 51 | 56 | 62 | 58 | 55 | 57 | 55 | 44 |
| 1.Inlet 5 V | 60 | 47 | 52 | 56 | 52 | 49 | 51 | 44 | 32 |

CONTROL VOLTAGE

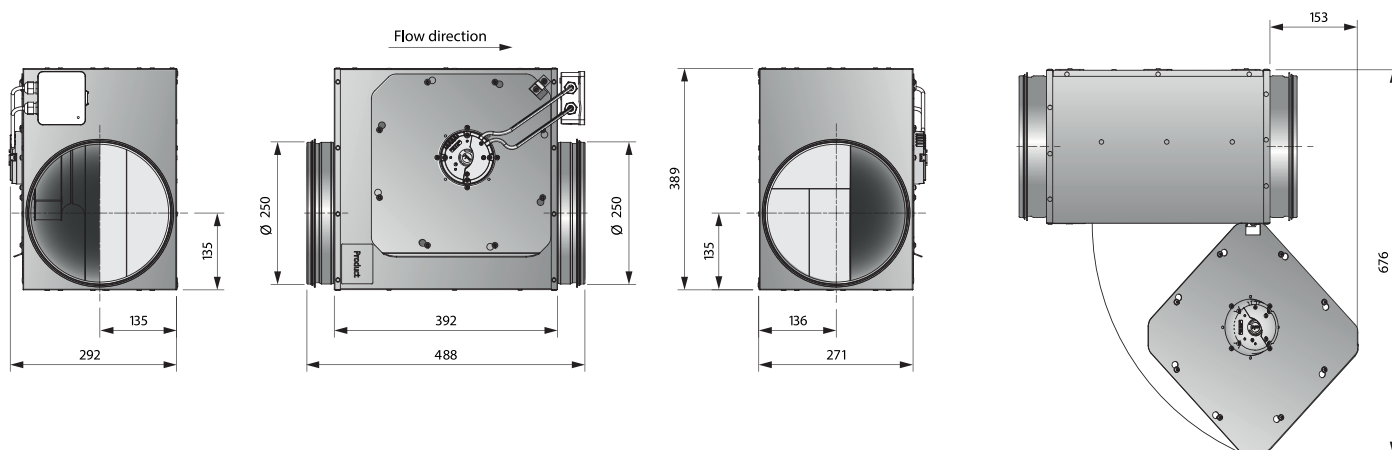
1. 5 V 2. 7 V 3. 8 V 4. 10 V

MORE INFORMATION



Find out the latest updated information about this product by visiting www.ostberg.com or by scanning QR code.

DIMENSIONS (mm)



LPKB 250 D1 EC

7540703



- Low profile duct fan with circular connections.
- A small and useful duct fan which are perfect for spaces with minimum height clearance.
- With one connection on the inlet side.
- High capacity and efficiency with low sound levels.
- Impeller with backward curved blades.
- The external rotor motor has maintenance-free sealed ball-bearings and is very energy efficient.
- Speed controlling can be done with the built-in potentiometer, 0-10 V alt. external control.
- Integrated motor protection.
- Junction box has enclosure class IP 54.
- Fan housing is manufactured from galvanized sheet steel.
- Duct connections are equipped with rubber seals.
- The fan is intended to be installed in a duct system.
- A duct connected fan can be installed outside or in damp environments.
- The mounting brackets simplify installation in any position.

ACCESSORIES

- Mounting clamp MK 250
- Safety grille BSV 250
- Back draught shutter RSK 250
- Louvre YG 250
- Louvre shutter VK 250
- Filterbox FLK 250
- Filterbox FLF 250
- Silencer LDC 250
- Speed controller MS EC
- Pressure regulator CALAIR-PR-230V
- Pressure regulator FKP-R

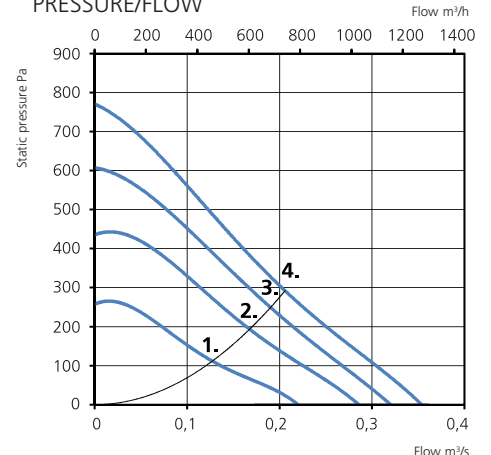
TECHNICAL DATA

| | |
|-------------------------------------|-------------|
| Voltage | 230 V |
| Frequency | 50/60 Hz |
| Phase | 1 ~ |
| Current | 1.35 A |
| Power | 168 W |
| Speed | 3010 r.p.m. |
| Capacitor | |
| Max. temp of transported air | 45 °C |
| Sound pressure level, 3 m | 52 dB(A) |
| Weight | 7.9 kg |
| Wiring diagram | 4040180 |

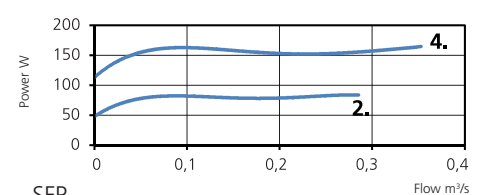
SOUND DATA

| | L_{WA} tot dB (A) | 63 | 125 | 250 | 500 | 1K | 2K | 4K | 8K |
|---------------------------|---------------------|----|-----|-----|-----|----|----|----|----|
| 4.Surrounding 10 V | 59 | 33 | 42 | 55 | 53 | 50 | 47 | 45 | 38 |
| 4.Outlet 10 V | 80 | 57 | 61 | 78 | 73 | 66 | 67 | 64 | 60 |
| 4.Inlet 10 V | 77 | 56 | 61 | 76 | 69 | 64 | 63 | 60 | 56 |
| 3.Inlet 8 V | 76 | 54 | 59 | 75 | 66 | 62 | 61 | 58 | 54 |
| 2.Inlet 7 V | 71 | 52 | 56 | 69 | 62 | 57 | 58 | 53 | 49 |
| 1.Inlet 5 V | 67 | 46 | 54 | 66 | 56 | 50 | 51 | 46 | 38 |

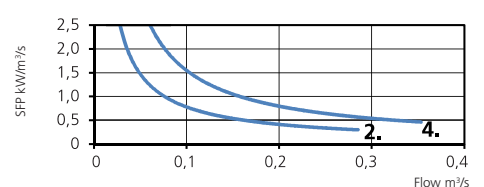
PRESSURE/FLOW



POWER/FLOW



SFP



MORE INFORMATION

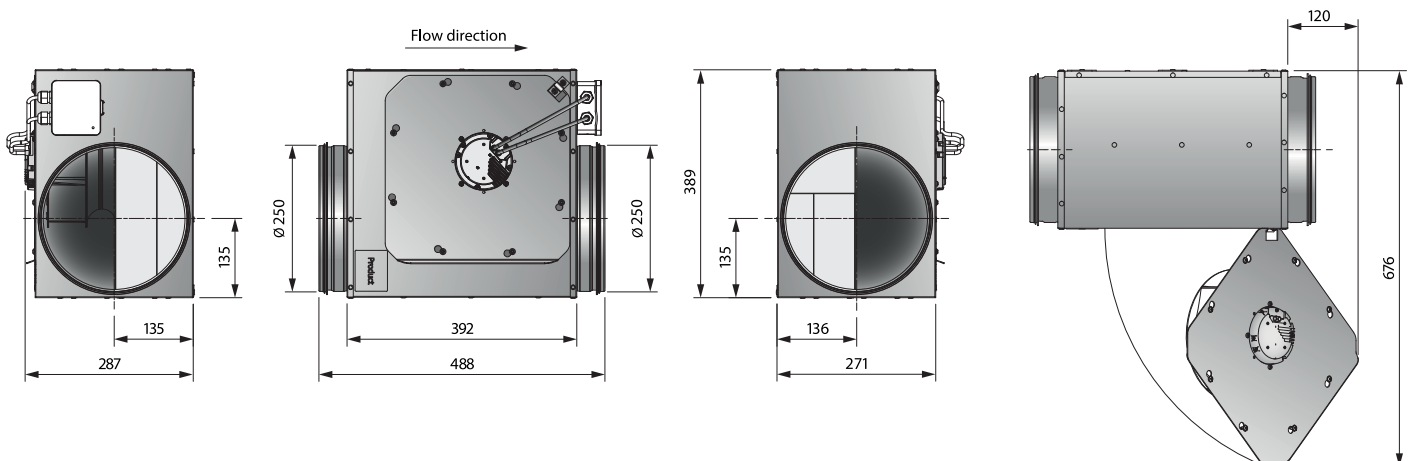


Find out the latest updated information about this product by visiting www.ostberg.com or by scanning QR code.

CONTROL VOLTAGE

1. 5 V 2. 7 V 3. 8 V 4. 10 V

DIMENSIONS (mm)



NON INSULATED DUCT FAN WITH CIRCULAR CONNECTIONS

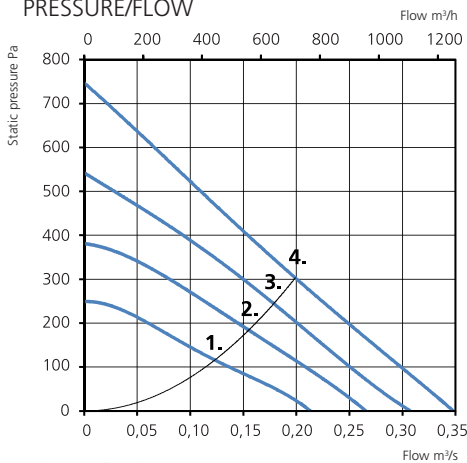
LPKB 315 B1 EC

7540704

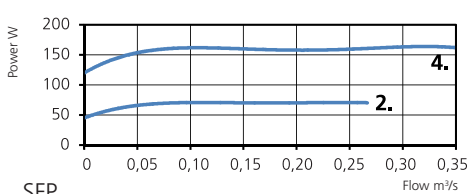
- Low profile duct fan with circular connections.
- A small and useful duct fan which are perfect for spaces with minimum height clearance.
- With one connection on the inlet side.
- High capacity and efficiency with low sound levels.
- Impeller with backward curved blades.
- The external rotor motor has maintenance-free sealed ball-bearings and is very energy efficient.
- Speed controlling can be done with the built-in potentiometer, 0-10 V alt. external control.
- Integrated motor protection.
- Junction box has enclosure class IP 54.
- Fan housing is manufactured from galvanized sheet steel.
- Duct connections are equipped with rubber seals.
- The fan is intended to be installed in a duct system.
- A duct connected fan can be installed outside or in damp environments.
- The mounting brackets simplify installation in any position.



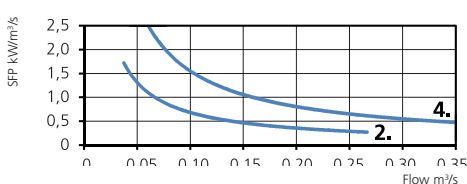
PRESSURE/FLOW



POWER/FLOW



SFP



TECHNICAL DATA

| | |
|------------------------------|-------------|
| Voltage | 230 V |
| Frequency | 50/60 Hz |
| Phase | 1 ~ |
| Current | 1.32 A |
| Power | 167 W |
| Speed | 3020 r.p.m. |
| Capacitor | |
| Max. temp of transported air | 45 °C |
| Sound pressure level, 3 m | 51 dB(A) |
| Weight | 11.6 kg |
| Wiring diagram | 4040180 |

ACCESSORIES

- Mounting clamp MK 315
- Safety grille BSV 315
- Back draught shutter RSK 315
- Louvre YG 315
- Louvre shutter VK 315
- Filterbox FLK 315
- Filterbox FLF 315
- Silencer LDC 315
- Speed controller MS EC
- Pressure regulator CALAIR-PR-230V
- Pressure regulator FKP-R

SOUND DATA

| | L _{wa} tot dB (A) | 63 | 125 | 250 | 500 | 1K | 2K | 4K | 8K |
|--------------------|----------------------------|----|-----|-----|-----|----|----|----|----|
| 4.Surrounding 10 V | 58 | 30 | 44 | 55 | 51 | 48 | 45 | 47 | 44 |
| 4.Outlet 10 V | 79 | 61 | 62 | 74 | 73 | 68 | 71 | 66 | 57 |
| 4.Inlet 10 V | 72 | 58 | 61 | 69 | 61 | 62 | 64 | 62 | 54 |
| 3.Inlet 8 V | 70 | 56 | 59 | 68 | 58 | 59 | 61 | 59 | 50 |
| 2.Inlet 6 V | 66 | 53 | 56 | 63 | 54 | 56 | 57 | 54 | 45 |
| 1.Inlet 5 V | 65 | 49 | 52 | 64 | 52 | 50 | 52 | 46 | 36 |

CONTROL VOLTAGE

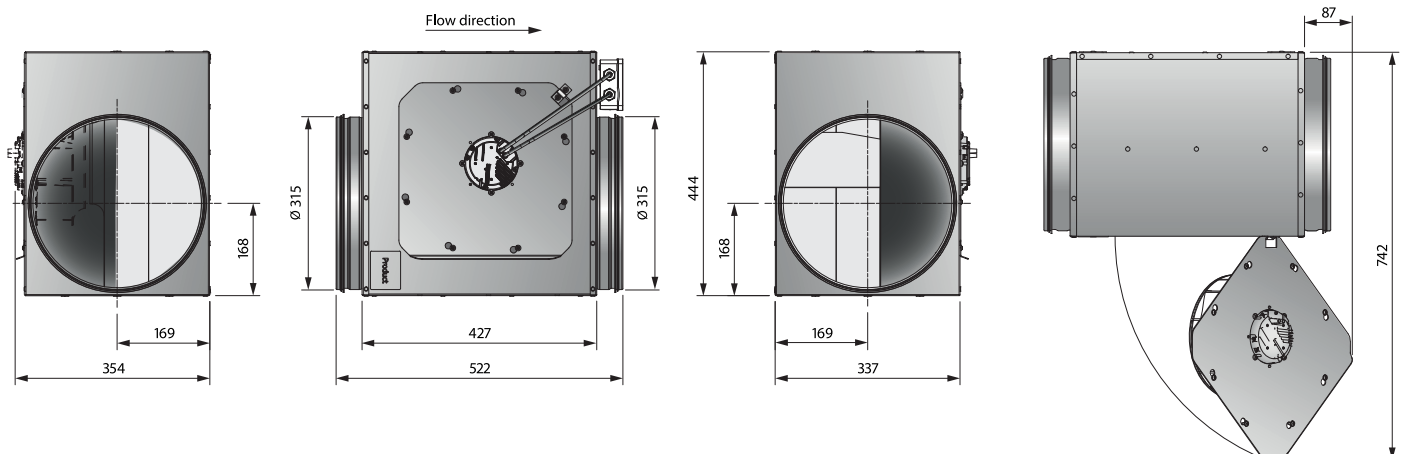
1. 5 V 2. 6 V 3. 8 V 4. 10 V

MORE INFORMATION



Find out the latest updated information about this product by visiting www.ostberg.com or by scanning QR code.

DIMENSIONS (mm)





- Low profile duct fan with circular connections.
- A small and useful duct fan which are perfect for spaces with minimum height clearance.
- With one connection on the inlet side.
- High capacity and efficiency with low sound levels.
- Impeller with backward curved blades.
- The external rotor motor has maintenance-free sealed ball-bearings and is very energy efficient.
- Speed controlling can be done with the built-in potentiometer, 0-10 V alt. external control.

- Integrated motor protection.
- Junction box has enclosure class IP 54.
- Fan housing is manufactured from galvanized sheet steel.
- Duct connections are equipped with rubber seals.
- The fan is intended to be installed in a duct system.
- A duct connected fan can be installed outside or in damp environments.
- The mounting brackets simplify installation in any position.

ACCESSORIES

- Mounting clamp MK 315
- Safety grille BSV 315
- Back draught shutter RSK 315
- Louvre YG 315
- Louvre shutter VK 315
- Filterbox FLK 315
- Filterbox FLF 315
- Silencer LDC 315
- Speed controller MS EC
- Pressure regulator CALAIR-PR-230V
- Pressure regulator FKP-R

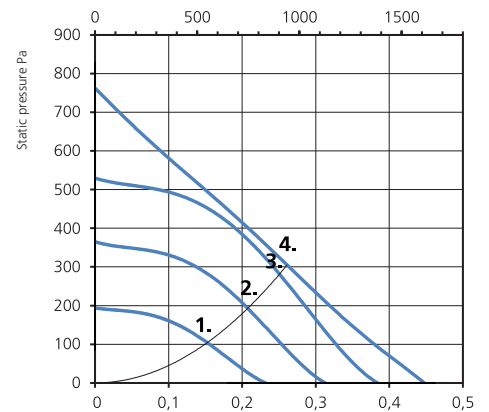
TECHNICAL DATA

| | |
|-------------------------------------|-------------|
| Voltage | 230 V |
| Frequency | 50/60 Hz |
| Phase | 1 ~ |
| Current | 0.97 A |
| Power | 217 W |
| Speed | 2400 r.p.m. |
| Capacitor | |
| Max. temp of transported air | 60 °C |
| Sound pressure level, 3 m | 54 dB(A) |
| Weight | 13.6 kg |
| Wiring diagram | 4040143 |

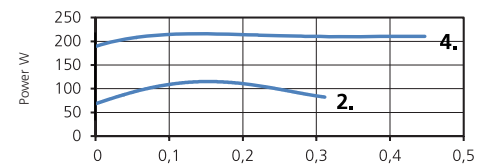
SOUND DATA

| | L _{WA} tot dB (A) | 63 | 125 | 250 | 500 | 1K | 2K | 4K | 8K |
|---------------------------|----------------------------|----|-----|-----|-----|----|----|----|----|
| 4.Surrounding 10 V | 61 | 33 | 46 | 55 | 59 | 53 | 49 | 43 | 39 |
| 4.Outlet 10 V | 82 | 64 | 65 | 71 | 79 | 72 | 76 | 71 | 68 |
| 4.Inlet 10 V | 78 | 65 | 64 | 69 | 73 | 68 | 71 | 69 | 65 |
| 3.Inlet 8 V | 77 | 64 | 63 | 68 | 73 | 66 | 69 | 67 | 63 |
| 2.Inlet 7 V | 71 | 60 | 59 | 66 | 65 | 61 | 63 | 62 | 56 |
| 1.Inlet 5 V | 67 | 55 | 57 | 63 | 59 | 55 | 57 | 55 | 48 |

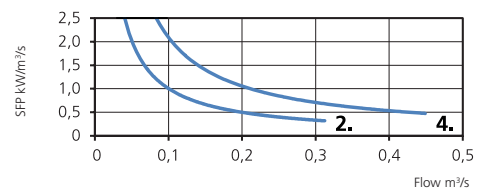
PRESSURE/FLOW



POWER/FLOW



SFP



MORE INFORMATION

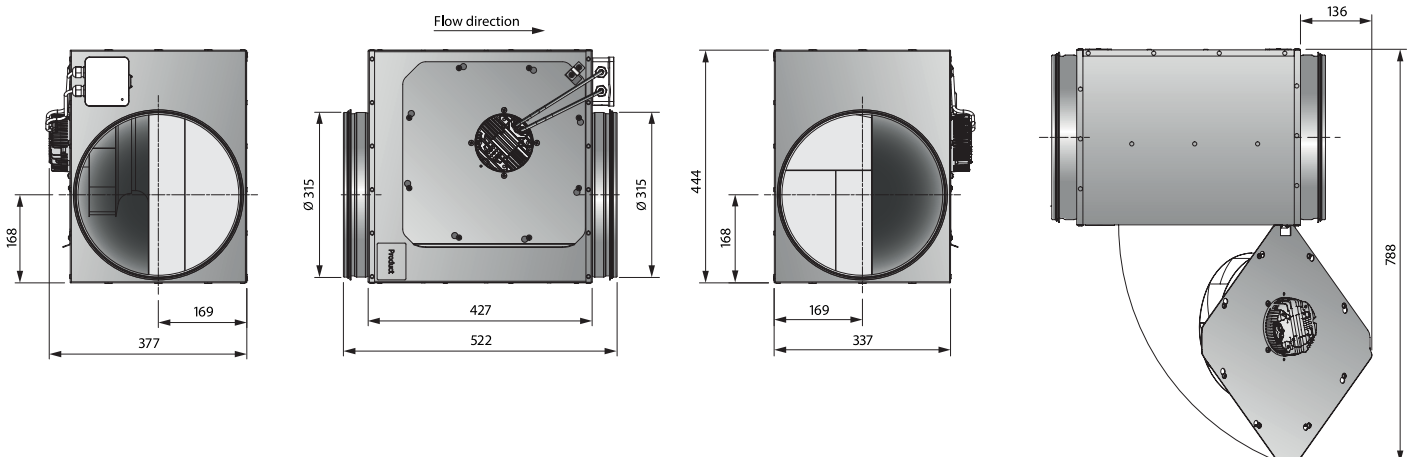


Find out the latest updated information about this product by visiting www.ostberg.com or by scanning QR code.

CONTROL VOLTAGE

1. 5 V 2. 7 V 3. 8 V 4. 10 V

DIMENSIONS (mm)



NON INSULATED DUCT FAN WITH CIRCULAR CONNECTIONS

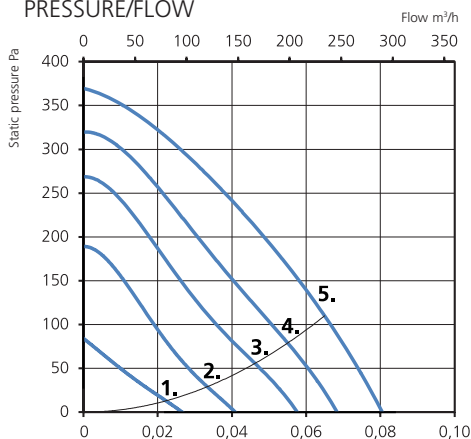
LPKB SILENT 100 C1

7540603

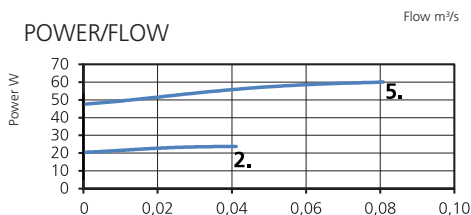
- Low profile duct fan with circular connections.
- A small and useful duct fan which are perfect for spaces with minimum height clearance.
- Equipped with a built in silencer on the inlet side for an even lower sound level.
- High capacity and efficiency.
- Operational in both 50 and 60 Hz.
- Impeller with backward curved blades.
- The external rotor motor has maintenance-free sealed ball-bearings.
- Integrated motor protection.
- Junction box has enclosure class IP 54.
- For speed control a transformer or electronic speed controller can be connected.
- Fan housing is manufactured from galvanized sheet steel.
- Duct connections are equipped with rubber seals.
- The fan is intended to be installed in a duct system.
- A duct connected fan can be installed outside or in damp environments.
- The mounting brackets simplify installation in any position.
- To comply with the ErP 2018 regulation, a local demand controller must be used.



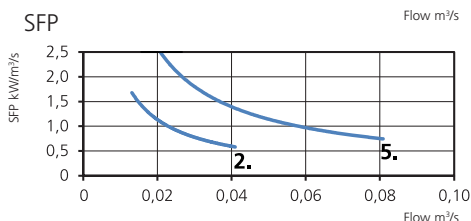
PRESSURE/FLOW



POWER/FLOW



SFP



TECHNICAL DATA

| | |
|------------------------------|---------------|
| Voltage | 230 V |
| Frequency | 50 Hz (60 Hz) |
| Phase | 1 ~ |
| Current | 0.26 A |
| Power | 61 W |
| Speed | 2560 r.p.m. |
| Capacitor | 2 µF |
| Max. temp of transported air | 80 °C |
| Sound pressure level, 3 m | 48 dB(A) |
| Weight | 5.9 kg |
| Wiring diagram | 4040001 |

ACCESSORIES

- Mounting clamp MK 100
- Safety grille BSV 100
- Back draught shutter RSK 100
- Louvre YG 100
- Louvre shutter VK 100
- Filterbox FLK 100
- Filterbox FLF 100
- Silencer LDC 100
- Transformer controller VRTE C
- Transformer controller VRDE 1.5
- Speed controller VRS 0.5
- Local Demand Controller Kit

SOUND DATA

| | L_{WA} tot dB (A) | 63 | 125 | 250 | 500 | 1K | 2K | 4K | 8K |
|---------------------|---------------------|----|-----|-----|-----|----|----|----|----|
| 5.Surrounding 230 V | 55 | 31 | 41 | 49 | 53 | 44 | 40 | 33 | 31 |
| 5.Outlet 230 V | 72 | 58 | 61 | 64 | 68 | 65 | 62 | 55 | 49 |
| 5.Inlet 230 V | 63 | 51 | 59 | 60 | 50 | 43 | 40 | 40 | 31 |
| 4.Inlet 165 V | 60 | 48 | 56 | 56 | 46 | 39 | 36 | 35 | 26 |
| 3.Inlet 135 V | 56 | 46 | 53 | 53 | 42 | 33 | 30 | 28 | 18 |
| 2.Inlet 110 V | 49 | 41 | 46 | 44 | 35 | 25 | 20 | 18 | 8 |
| 1.Inlet 80 V | 40 | 32 | 37 | 36 | 24 | 14 | 9 | 10 | 6 |

TRANSFORMER STEPS

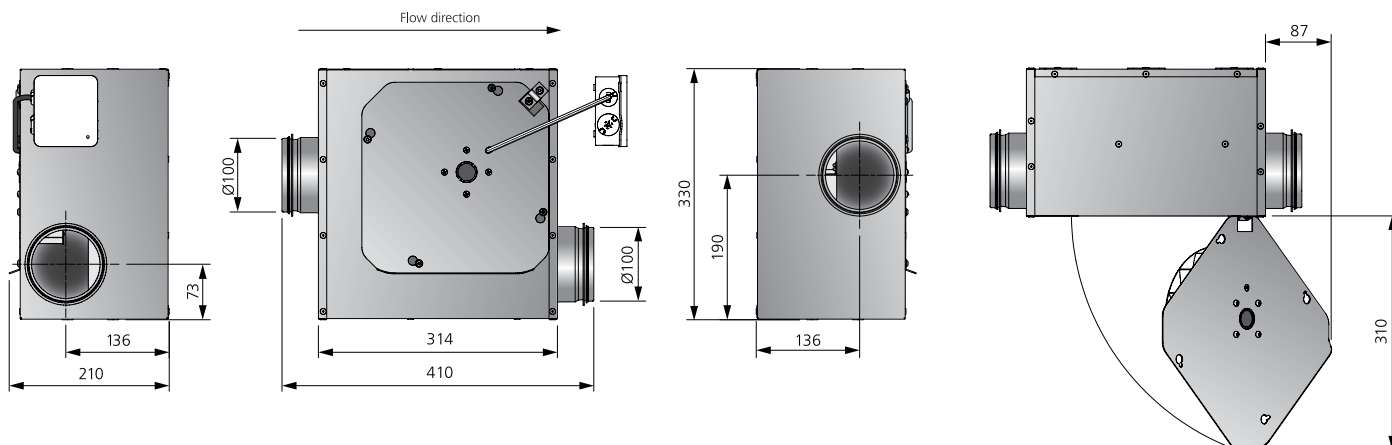
1. 80 V 2. 110 V 3. 135 V 4. 165 V 5. 230 V

MORE INFORMATION



Find out the latest updated information about this product by visiting www.ostberg.com or by scanning QR code.

DIMENSIONS (mm)



LPKB SILENT 125 C1

7540621



- Low profile duct fan with circular connections.
- A small and useful duct fan which are perfect for spaces with minimum height clearance.
- Equipped with a built in silencer on the inlet side for an even lower sound level.
- High capacity and efficiency.
- Operational in both 50 and 60 Hz.
- Impeller with backward curved blades.
- The external rotor motor has maintenance-free sealed ball-bearings.
- Integrated motor protection.
- Junction box has enclosure class IP 54.

- For speed control a transformer or electronic speed controller can be connected.
- Fan housing is manufactured from galvanized sheet steel.
- Duct connections are equipped with rubber seals.
- The fan is intended to be installed in a duct system.
- A duct connected fan can be installed outside or in damp environments.
- The mounting brackets simplify installation in any position.
- To comply with the ErP 2018 regulation, a local demand controller must be used.

ACCESSORIES

- Mounting clamp MK 125
- Safety grille BSV 125
- Back draught shutter RSK 125
- Louvre YG 125
- Louvre shutter VK 125
- Filterbox FLK 125
- Filterbox FLF 125
- Silencer LDC 125
- Transformer controller VRTE C
- Transformer controller VRDE 1.5
- Speed controller VRS 0.5
- Local Demand Controller Kit

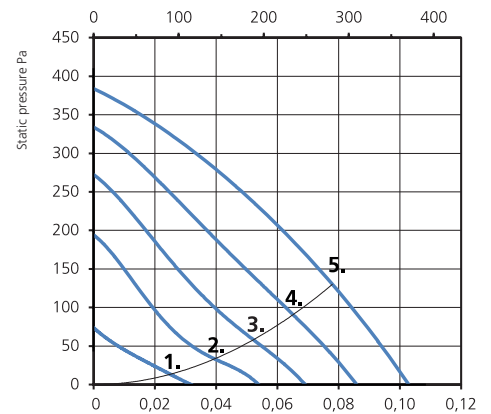
TECHNICAL DATA

| | |
|-------------------------------------|---------------|
| Voltage | 230 V |
| Frequency | 50 Hz (60 Hz) |
| Phase | 1 ~ |
| Current | 0.26 A |
| Power | 61 W |
| Speed | 2570 r.p.m. |
| Capacitor | 2 µF |
| Max. temp of transported air | 80 °C |
| Sound pressure level, 3 m | 47 dB(A) |
| Weight | 5.9 kg |
| Wiring diagram | 4040001 |

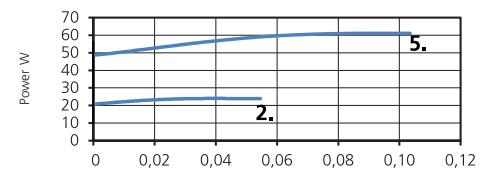
SOUND DATA

| | L_{WA} tot dB (A) | 63 | 125 | 250 | 500 | 1K | 2K | 4K | 8K |
|----------------------------|---------------------|----|-----|-----|-----|----|----|----|----|
| 5.Surrounding 230 V | 54 | 28 | 39 | 49 | 52 | 43 | 39 | 33 | 31 |
| 5.Outlet 230 V | 72 | 57 | 62 | 65 | 68 | 64 | 61 | 57 | 49 |
| 5.Inlet 230 V | 64 | 51 | 59 | 60 | 53 | 44 | 44 | 43 | 36 |
| 4.Inlet 165 V | 61 | 47 | 56 | 58 | 49 | 40 | 39 | 37 | 29 |
| 3.Inlet 135 V | 56 | 44 | 52 | 53 | 44 | 35 | 33 | 30 | 21 |
| 2.Inlet 110 V | 49 | 38 | 47 | 44 | 37 | 27 | 23 | 19 | 9 |
| 1.Inlet 80 V | 42 | 29 | 41 | 36 | 28 | 15 | 10 | 7 | 5 |

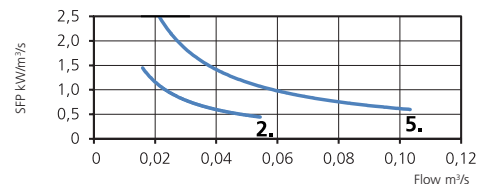
PRESSURE/FLOW



POWER/FLOW



SFP



MORE INFORMATION

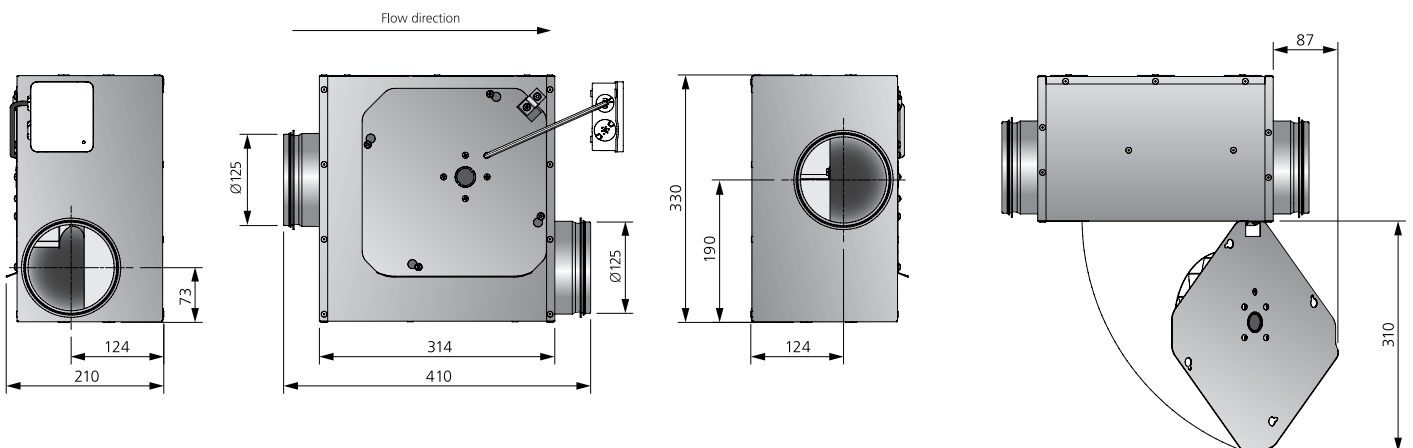


Find out the latest updated information about this product by visiting www.ostberg.com or by scanning QR code.

TRANSFORMER STEPS

1. 80 V 2. 110 V 3. 135 V 4. 165 V 5. 230 V

DIMENSIONS (mm)



NON INSULATED DUCT FAN WITH CIRCULAR CONNECTIONS

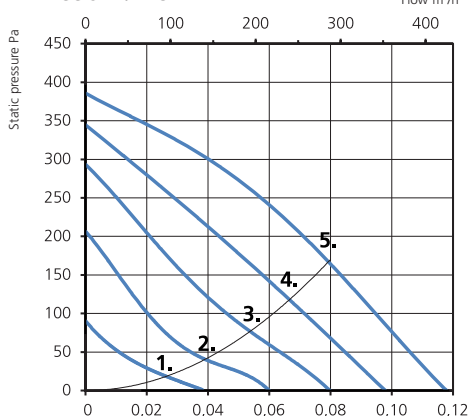
LPKB SILENT 160 B1

7540641

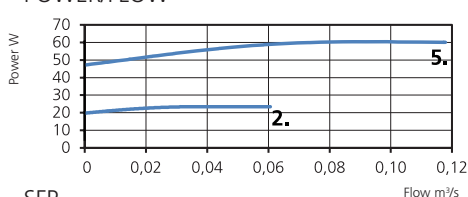
- Low profile duct fan with circular connections.
- A small and useful duct fan which are perfect for spaces with minimum height clearance.
- Equipped with a built in silencer on the inlet side for an even lower sound level.
- High capacity and efficiency.
- Operational in both 50 and 60 Hz.
- Impeller with backward curved blades.
- The external rotor motor has maintenance-free sealed ball-bearings.
- Integrated motor protection.
- Junction box has enclosure class IP 54.
- For speed control a transformer or electronic speed controller can be connected.
- Fan housing is manufactured from galvanized sheet steel.
- Duct connections are equipped with rubber seals.
- The fan is intended to be installed in a duct system.
- A duct connected fan can be installed outside or in damp environments.
- The mounting brackets simplify installation in any position.



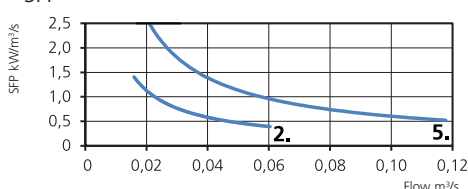
PRESSURE/FLOW



POWER/FLOW



SFP



TECHNICAL DATA

| | |
|-------------------------------------|---------------|
| Voltage | 230 V |
| Frequency | 50 Hz (60 Hz) |
| Phase | 1 ~ |
| Current | 0.26 A |
| Power | 61 W |
| Speed | 2560 r.p.m. |
| Capacitor | 2 µF |
| Max. temp of transported air | 80 °C |
| Sound pressure level, 3 m | 45 dB(A) |
| Weight | 7.6 kg |
| Wiring diagram | 4040001 |

ACCESSORIES

- Mounting clamp MK 160
- Safety grille BSV 160
- Back draught shutter RSK 160
- Louvre YG 160
- Louvre shutter VK 160
- Filterbox FLK 160
- Filterbox FLF 160
- Silencer LDC 160
- Transformer controller VRTE 1
- Transformer controller VRDE 1.5
- Speed controller VRS 0.5

SOUND DATA

| | L_{wa} tot dB (A) | 63 | 125 | 250 | 500 | 1K | 2K | 4K | 8K |
|----------------------------|---------------------|----|-----|-----|-----|----|----|----|----|
| 5.Surrounding 230 V | 52 | 27 | 39 | 47 | 50 | 41 | 37 | 32 | 31 |
| 5.Outlet 230 V | 70 | 56 | 60 | 66 | 66 | 59 | 56 | 56 | 48 |
| 5.Inlet 230 V | 64 | 48 | 59 | 61 | 50 | 40 | 45 | 44 | 38 |
| 4.Inlet 165 V | 61 | 46 | 55 | 59 | 46 | 35 | 41 | 38 | 32 |
| 3.Inlet 135 V | 54 | 41 | 50 | 51 | 40 | 29 | 34 | 30 | 22 |
| 2.Inlet 110 V | 48 | 35 | 45 | 43 | 33 | 22 | 24 | 19 | 10 |
| 1.Inlet 80 V | 40 | 29 | 38 | 34 | 22 | 10 | 10 | 7 | 5 |

TRANSFORMER STEPS

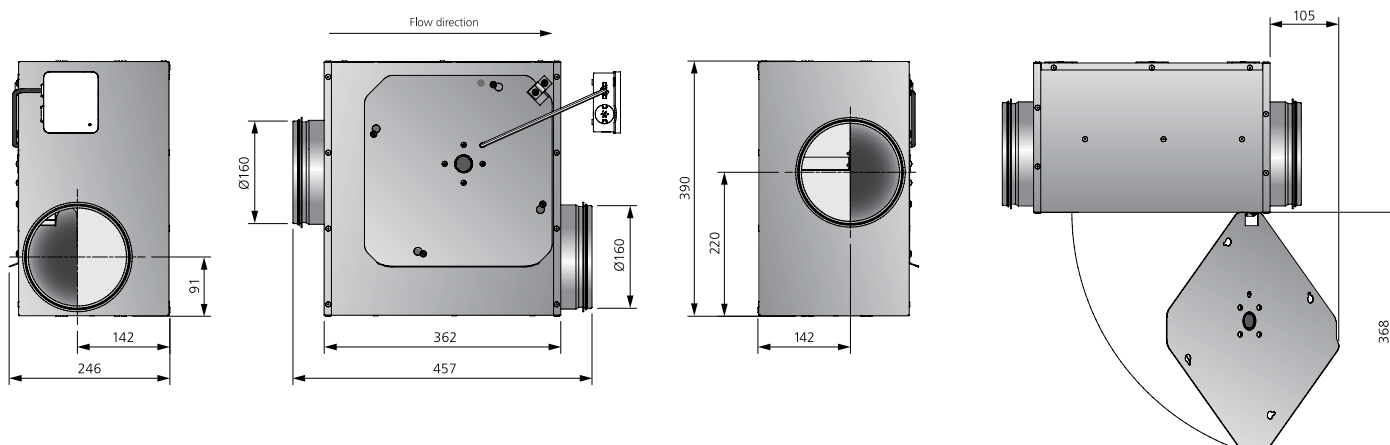
1. 80 V 2. 110 V 3. 135 V 4. 165 V 5. 230 V

MORE INFORMATION



Find out the latest updated information about this product by visiting www.ostberg.com or by scanning QR code.

DIMENSIONS (mm)



LPKB SILENT 160 C1

7540643



- Low profile duct fan with circular connections.
- A small and useful duct fan which are perfect for spaces with minimum height clearance.
- Equipped with a built in silencer on the inlet side for an even lower sound level.
- High capacity and efficiency.
- Operational in both 50 and 60 Hz.
- Impeller with backward curved blades.
- The external rotor motor has maintenance-free sealed ball-bearings.
- Integrated motor protection.
- Junction box has enclosure class IP 54.

- For speed control a transformer or electronic speed controller can be connected.
- Fan housing is manufactured from galvanized sheet steel.
- Duct connections are equipped with rubber seals.
- The fan is intended to be installed in a duct system.
- A duct connected fan can be installed outside or in damp environments.
- The mounting brackets simplify installation in any position.
- To comply with the ErP 2018 regulation, a local demand controller must be used.

ACCESSORIES

- Mounting clamp MK 160
- Safety grille BSV 160
- Back draught shutter RSK 160
- Louvre YG 160
- Louvre shutter VK 160
- Filterbox FLK 160
- Filterbox FLF 160
- Silencer LDC 160
- Transformer controller VRTE C
- Transformer controller VRDE 1.5
- Speed controller VRS 0.5
- Local Demand Controller Kit

TECHNICAL DATA

| | |
|-------------------------------------|---------------|
| Voltage | 230 V |
| Frequency | 50 Hz (60 Hz) |
| Phase | 1 ~ |
| Current | 0.47 A |
| Power | 108 W |
| Speed | 2520 r.p.m. |
| Capacitor | 3 µF |
| Max. temp of transported air | 75 °C |
| Sound pressure level, 3 m | 51 dB(A) |
| Weight | 7.8 kg |
| Wiring diagram | 4040001 |

SOUND DATA

| | L_{WA} tot dB (A) | 63 | 125 | 250 | 500 | 1K | 2K | 4K | 8K |
|----------------------------|---------------------|----|-----|-----|-----|----|----|----|----|
| 5.Surrounding 230 V | 58 | 31 | 41 | 53 | 56 | 46 | 44 | 38 | 31 |
| 5.Outlet 230 V | 75 | 58 | 62 | 67 | 73 | 66 | 63 | 63 | 51 |
| 5.Inlet 230 V | 67 | 51 | 61 | 64 | 58 | 50 | 47 | 48 | 36 |
| 4.Inlet 165 V | 63 | 48 | 57 | 60 | 54 | 45 | 42 | 41 | 28 |
| 3.Inlet 135 V | 58 | 44 | 54 | 55 | 47 | 39 | 35 | 33 | 19 |
| 2.Inlet 110 V | 53 | 38 | 50 | 48 | 40 | 32 | 26 | 22 | 8 |
| 1.Inlet 80 V | 43 | 32 | 41 | 38 | 30 | 22 | 13 | 8 | 5 |

MORE INFORMATION

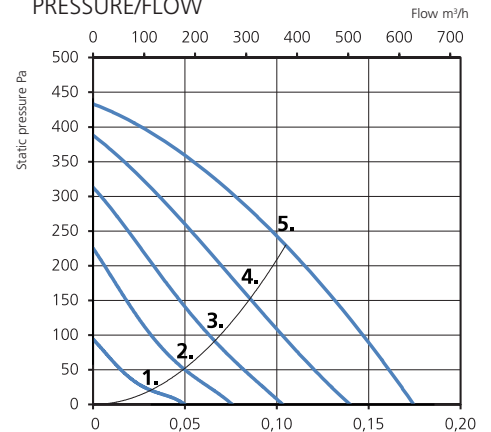


Find out the latest updated information about this product by visiting www.ostberg.com or by scanning QR code.

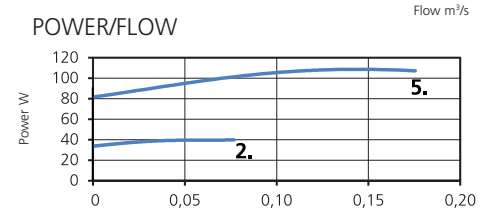
TRANSFORMER STEPS

1. 80 V 2. 110 V 3. 135 V 4. 165 V 5. 230 V

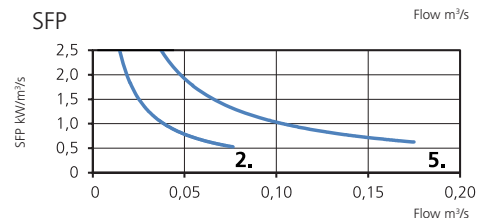
PRESSURE/FLOW



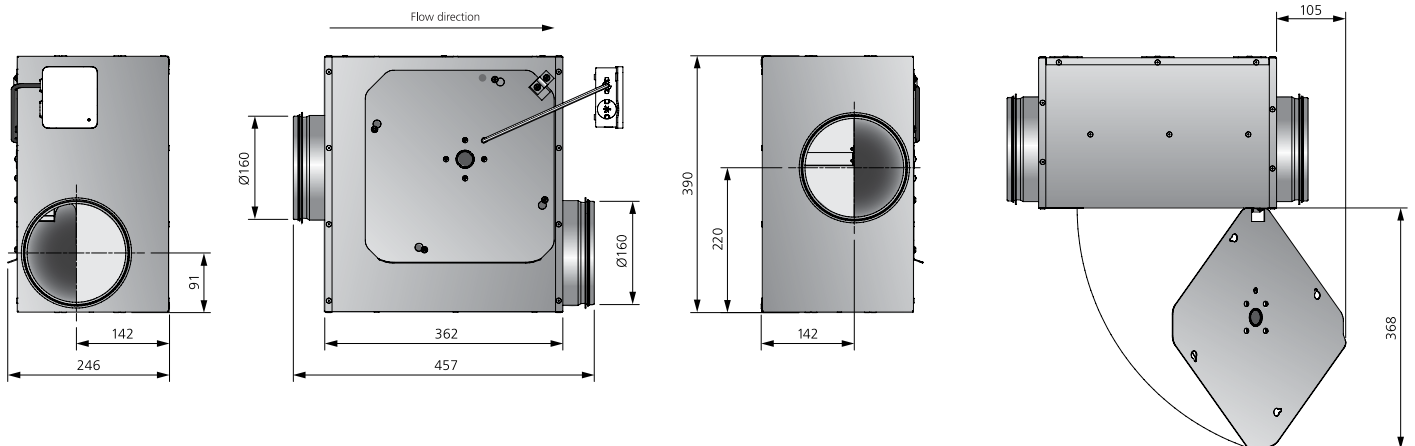
POWER/FLOW



SFP



DIMENSIONS (mm)



NON INSULATED DUCT FAN WITH CIRCULAR CONNECTIONS

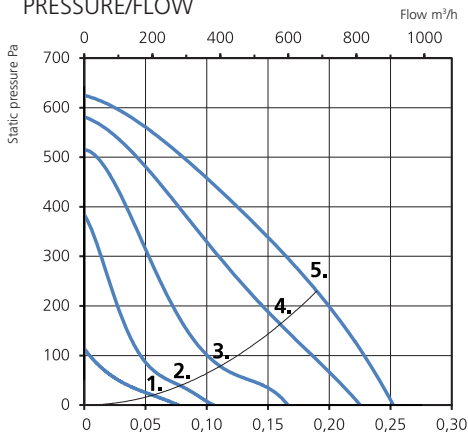
LPKB SILENT 200 C1 ErP

7540668

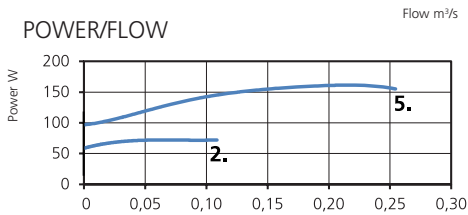
- Low profile duct fan with circular connections.
- A small and useful duct fan which are perfect for spaces with minimum height clearance.
- Equipped with a built in silencer on the inlet side for an even lower sound level.
- High capacity and efficiency.
- Operational in both 50 and 60 Hz.
- Impeller with backward curved blades.
- The external rotor motor has maintenance-free sealed ball-bearings.
- Integrated motor protection.
- Junction box has enclosure class IP 54.
- For speed control a transformer or electronic speed controller can be connected.
- Fan housing is manufactured from galvanized sheet steel.
- Duct connections are equipped with rubber seals.
- The fan is intended to be installed in a duct system.
- A duct connected fan can be installed outside or in damp environments.
- The mounting brackets simplify installation in any position.



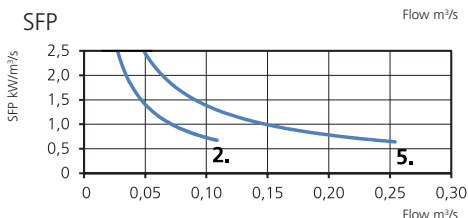
PRESSURE/FLOW



POWER/FLOW



SFP



TECHNICAL DATA

| | |
|-------------------------------------|---------------|
| Voltage | 230 V |
| Frequency | 50 Hz (60 Hz) |
| Phase | 1 ~ |
| Current | 0.71 A |
| Power | 163 W |
| Speed | 2710 r.p.m. |
| Capacitor | 5 µF |
| Max. temp of transported air | 80 °C |
| Sound pressure level, 3 m | 56 dB(A) |
| Weight | 9.2 kg |
| Wiring diagram | 4040001 |

ACCESSORIES

- Mounting clamp MK 200
- Safety grille BSV 200
- Back draught shutter RSK 200
- Louvre YG 200
- Louvre shutter VK 200
- Filterbox FLK 200
- Filterbox FLF 200
- Silencer LDC 200
- Transformer controller VRTE C
- Transformer controller VRDE 1.5
- Speed controller VRS 1.0

SOUND DATA

| | L _{wa} tot dB (A) | 63 | 125 | 250 | 500 | 1K | 2K | 4K | 8K |
|----------------------------|----------------------------|----|-----|-----|-----|----|----|----|----|
| 5.Surrounding 230 V | 63 | 32 | 45 | 56 | 61 | 50 | 46 | 38 | 35 |
| 5.Outlet 230 V | 81 | 66 | 68 | 74 | 78 | 72 | 70 | 66 | 61 |
| 5.Inlet 230 V | 71 | 64 | 66 | 67 | 61 | 54 | 49 | 49 | 46 |
| 4.Inlet 165 V | 68 | 54 | 62 | 65 | 56 | 49 | 43 | 44 | 40 |
| 3.Inlet 135 V | 64 | 50 | 61 | 60 | 46 | 38 | 34 | 35 | 22 |
| 2.Inlet 110 V | 61 | 48 | 61 | 49 | 37 | 28 | 26 | 19 | 16 |
| 1.Inlet 80 V | 56 | 40 | 55 | 41 | 29 | 18 | 10 | 7 | 5 |

TRANSFORMER STEPS

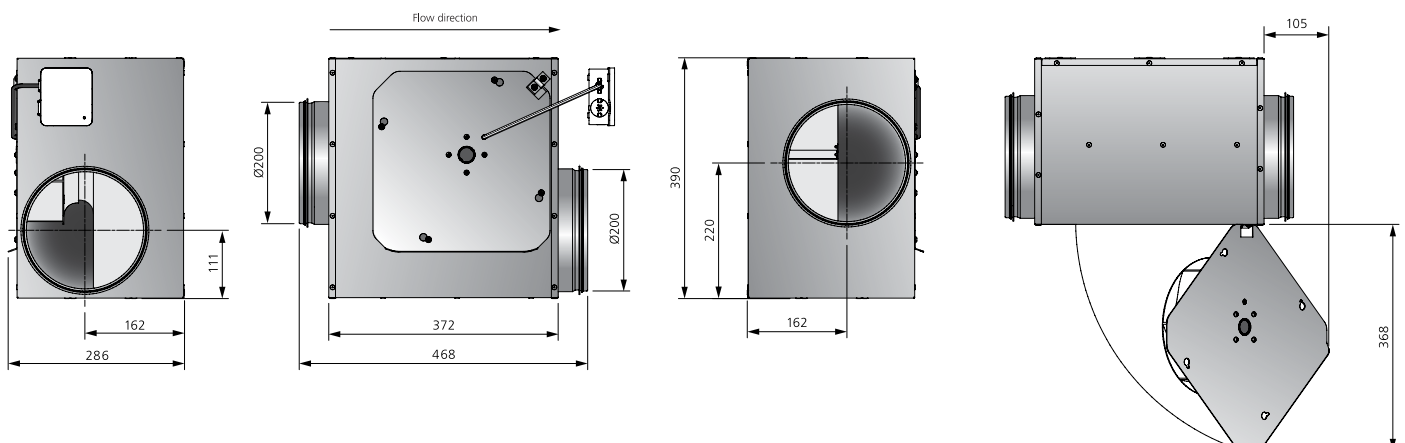
1. 80 V 2. 110 V 3. 135 V 4. 165 V 5. 230 V

MORE INFORMATION



Find out the latest updated information about this product by visiting www.ostberg.com or by scanning QR code.

DIMENSIONS (mm)





- Low profile duct fan with circular connections.
- A small and useful duct fan which are perfect for spaces with minimum height clearance.
- Equipped with a built in silencer on the inlet side for an even lower sound level.
- High capacity and efficiency.
- Operational in both 50 and 60 Hz.
- Impeller with backward curved blades.
- The external rotor motor has maintenance-free sealed ball-bearings.
- Integrated motor protection.

- Junction box has enclosure class IP 54.
- For speed control a transformer or electronic speed controller can be connected.
- Fan housing is manufactured from galvanized sheet steel.
- Duct connections are equipped with rubber seals.
- The fan is intended to be installed in a duct system.
- A duct connected fan can be installed outside or in damp environments.
- The mounting brackets simplify installation in any position.

ACCESSORIES

- Mounting clamp MK 250
- Safety grille BSV 250
- Back draught shutter RSK 250
- Louvre YG 250
- Louvre shutter VK 250
- Filterbox FLK 250
- Filterbox FLF 250
- Silencer LDC 250
- Transformer controller VRTE 1
- Transformer controller VRDE 1.5
- Speed controller VRS 1.0

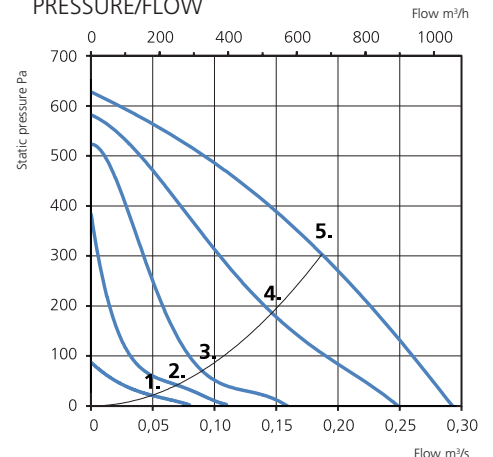
TECHNICAL DATA

| | |
|-------------------------------------|---------------|
| Voltage | 230 V |
| Frequency | 50 Hz (60 Hz) |
| Phase | 1 ~ |
| Current | 0.73 A |
| Power | 167 W |
| Speed | 2690 r.p.m. |
| Capacitor | 5 µF |
| Max. temp of transported air | 80 °C |
| Sound pressure level, 3 m | 51 dB(A) |
| Weight | 10.2 kg |
| Wiring diagram | 4040001 |

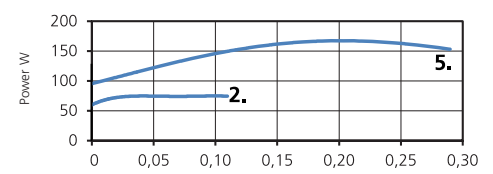
SOUND DATA

| | L _{WA} tot dB (A) | 63 | 125 | 250 | 500 | 1K | 2K | 4K | 8K |
|----------------------------|----------------------------|----|-----|-----|-----|----|----|----|----|
| 5.Surrounding 230 V | 58 | 32 | 43 | 54 | 53 | 50 | 45 | 43 | 37 |
| 5.Outlet 230 V | 78 | 61 | 61 | 75 | 72 | 69 | 69 | 64 | 60 |
| 5.Inlet 230 V | 69 | 58 | 61 | 67 | 54 | 55 | 56 | 54 | 50 |
| 4.Inlet 165 V | 64 | 52 | 59 | 61 | 48 | 48 | 49 | 48 | 40 |
| 3.Inlet 135 V | 64 | 45 | 63 | 49 | 39 | 36 | 41 | 34 | 23 |
| 2.Inlet 110 V | 56 | 41 | 56 | 41 | 32 | 28 | 28 | 19 | 17 |
| 1.Inlet 80 V | 51 | 38 | 51 | 33 | 21 | 17 | 15 | 15 | 14 |

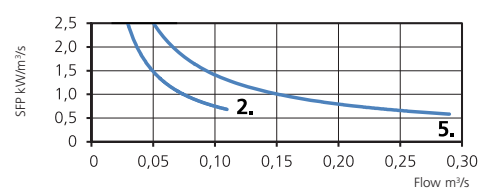
PRESSURE/FLOW



POWER/FLOW



SFP



MORE INFORMATION

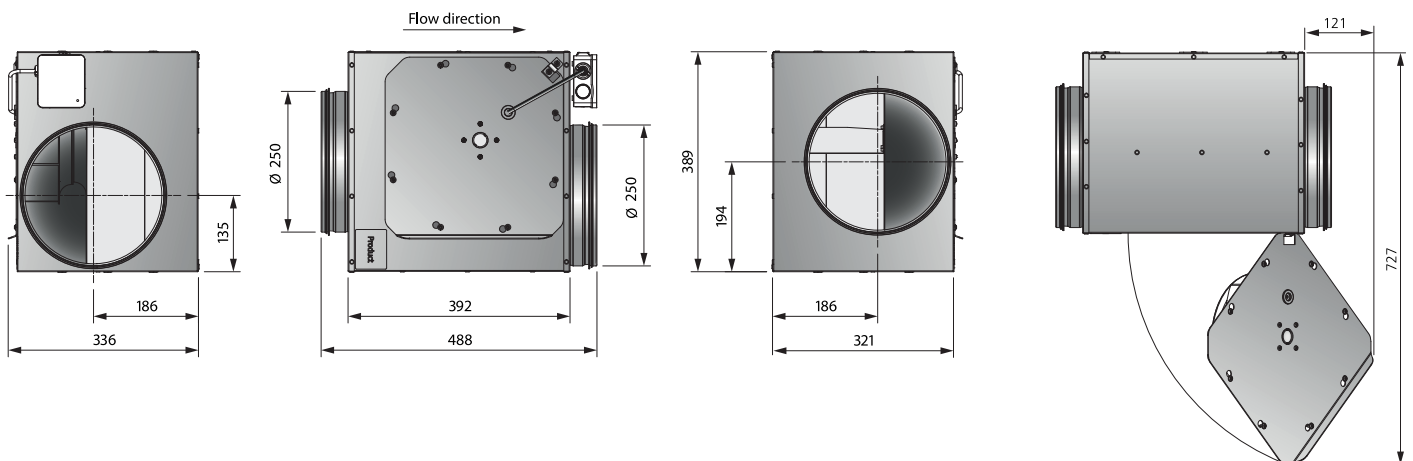


Find out the latest updated information about this product by visiting www.ostberg.com or by scanning QR code.

TRANSFORMER STEPS

1. 80 V 2. 110 V 3. 135 V 4. 165 V 5. 230 V

DIMENSIONS (mm)



NON INSULATED DUCT FAN WITH CIRCULAR CONNECTIONS

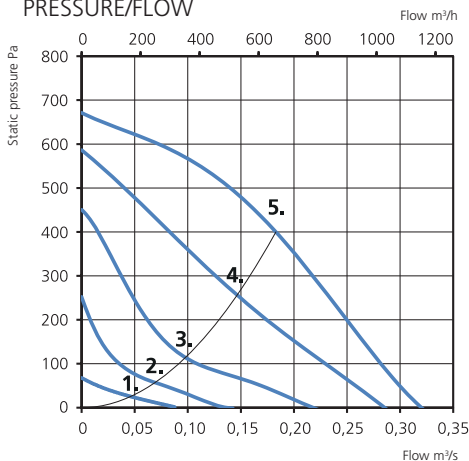
LPKB SILENT 250 E1 ErP

7540706

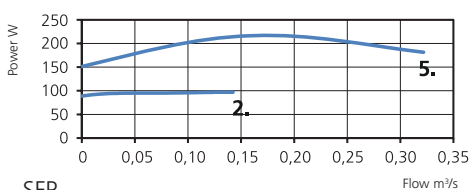
- Low profile duct fan with circular connections.
- A small and useful duct fan which are perfect for spaces with minimum height clearance.
- Equipped with a built in silencer on the inlet side for an even lower sound level.
- High capacity and efficiency.
- Operational in both 50 and 60 Hz.
- Impeller with backward curved blades.
- The external rotor motor has maintenance-free sealed ball-bearings.
- Integrated motor protection.
- Junction box has enclosure class IP 54.
- For speed control a transformer or electronic speed controller can be connected.
- Fan housing is manufactured from galvanized sheet steel.
- Duct connections are equipped with rubber seals.
- The fan is intended to be installed in a duct system.
- A duct connected fan can be installed outside or in damp environments.
- The mounting brackets simplify installation in any position.



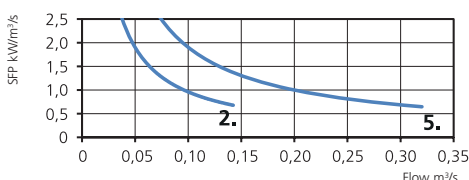
PRESSURE/FLOW



POWER/FLOW



SFP



TECHNICAL DATA

| | |
|-------------------------------------|---------------|
| Voltage | 230 V |
| Frequency | 50 Hz (60 Hz) |
| Phase | 1 ~ |
| Current | 0.94 A |
| Power | 217 W |
| Speed | 2660 r.p.m. |
| Capacitor | 6 µF |
| Max. temp of transported air | 80 °C |
| Sound pressure level, 3 m | 50 dB(A) |
| Weight | 10.7 kg |
| Wiring diagram | 4040001 |

ACCESSORIES

- Mounting clamp MK 250
- Safety grille BSV 250
- Back draught shutter RSK 250
- Louvre YG 250
- Louvre shutter VK 250
- Filterbox FLK 250
- Filterbox FLF 250
- Silencer LDC 250
- Transformer controller VRTE 1
- Transformer controller VRDE 1.5
- Speed controller VRS 2.0

SOUND DATA

| | L_{wa} tot dB (A) | 63 | 125 | 250 | 500 | 1K | 2K | 4K | 8K |
|----------------------------|---------------------|----|-----|-----|-----|----|----|----|----|
| 5.Surrounding 230 V | 57 | 32 | 42 | 53 | 52 | 48 | 47 | 46 | 40 |
| 5.Outlet 230 V | 77 | 59 | 62 | 73 | 72 | 68 | 69 | 65 | 58 |
| 5.Inlet 230 V | 69 | 60 | 60 | 66 | 56 | 56 | 57 | 54 | 49 |
| 4.Inlet 165 V | 65 | 54 | 60 | 62 | 50 | 50 | 51 | 46 | 40 |
| 3.Inlet 135 V | 61 | 48 | 58 | 56 | 42 | 41 | 41 | 35 | 28 |
| 2.Inlet 110 V | 53 | 41 | 52 | 44 | 33 | 31 | 28 | 22 | 20 |
| 1.Inlet 80 V | 51 | 37 | 51 | 35 | 23 | 19 | 19 | 15 | 16 |

TRANSFORMER STEPS

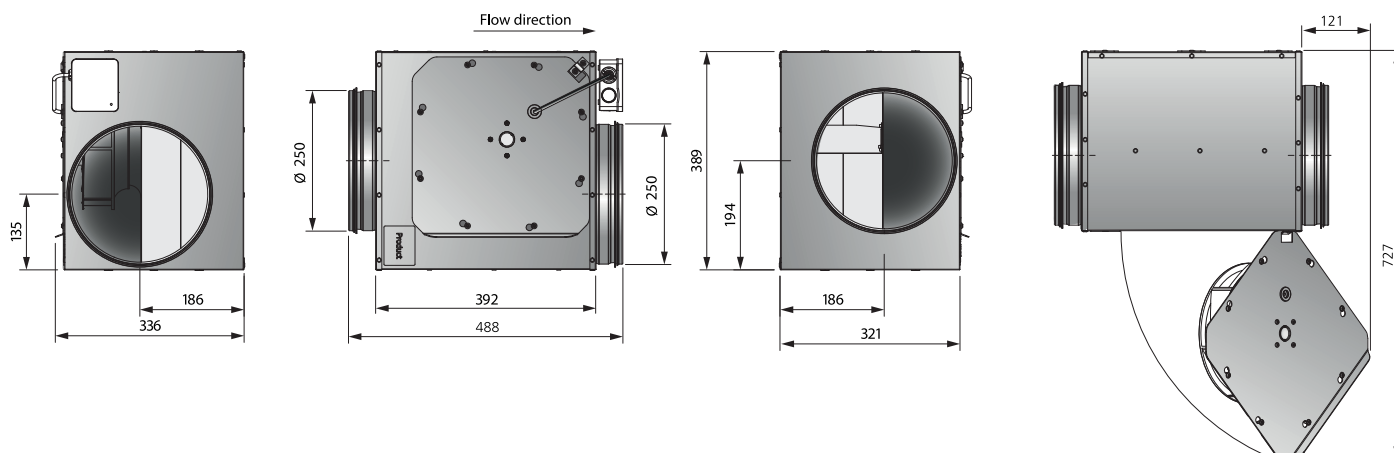
1. 80 V 2. 110 V 3. 135 V 4. 165 V 5. 230 V

MORE INFORMATION



Find out the latest updated information about this product by visiting www.ostberg.com or by scanning QR code.

DIMENSIONS (mm)





- Low profile duct fan with circular connections.
- A small and useful duct fan which are perfect for spaces with minimum height clearance.
- Equipped with a built in silencer on the inlet side for an even lower sound level.
- High capacity and efficiency.
- Operational in both 50 and 60 Hz.
- Impeller with backward curved blades.
- The external rotor motor has maintenance-free sealed ball-bearings.
- Integrated motor protection.

- Junction box has enclosure class IP 54.
- For speed control a transformer or electronic speed controller can be connected.
- Fan housing is manufactured from galvanized sheet steel.
- Duct connections are equipped with rubber seals.
- The fan is intended to be installed in a duct system.
- A duct connected fan can be installed outside or in damp environments.
- The mounting brackets simplify installation in any position.

ACCESSORIES

- Mounting clamp MK 315
- Safety grille BSV 315
- Back draught shutter RSK 315
- Louvre YG 315
- Louvre shutter VK 315
- Filterbox FLK 315
- Filterbox FLF 315
- Silencer LDC 315
- Transformer controller VRTE 1
- Transformer controller VRDE 1.5
- Speed controller VRS 1.0

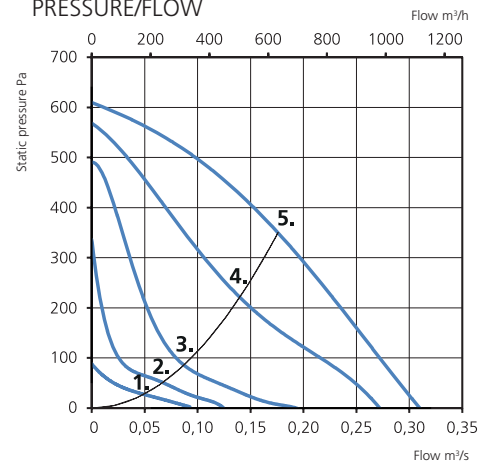
TECHNICAL DATA

| | |
|-------------------------------------|---------------|
| Voltage | 230 V |
| Frequency | 50 Hz (60 Hz) |
| Phase | 1 ~ |
| Current | 0.73 A |
| Power | 168 W |
| Speed | 2690 r.p.m. |
| Capacitor | 5 µF |
| Max. temp of transported air | 80 °C |
| Sound pressure level, 3 m | 48 dB(A) |
| Weight | 14.2 kg |
| Wiring diagram | 4040001 |

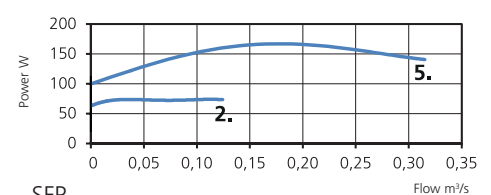
SOUND DATA

| | L_{WA} tot dB (A) | 63 | 125 | 250 | 500 | 1K | 2K | 4K | 8K |
|----------------------------|---------------------|----|-----|-----|-----|----|----|----|----|
| 5.Surrounding 230 V | 55 | 39 | 42 | 52 | 51 | 44 | 43 | 41 | 36 |
| 5.Outlet 230 V | 75 | 60 | 62 | 71 | 68 | 66 | 67 | 63 | 59 |
| 5.Inlet 230 V | 66 | 59 | 59 | 62 | 50 | 55 | 57 | 55 | 51 |
| 4.Inlet 165 V | 64 | 50 | 61 | 58 | 45 | 49 | 51 | 48 | 43 |
| 3.Inlet 135 V | 62 | 46 | 62 | 46 | 37 | 38 | 40 | 36 | 26 |
| 2.Inlet 110 V | 58 | 40 | 58 | 40 | 29 | 31 | 29 | 23 | 18 |
| 1.Inlet 80 V | 54 | 35 | 53 | 33 | 20 | 18 | 15 | 14 | 14 |

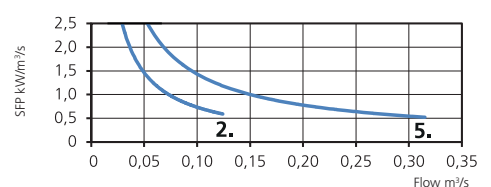
PRESSURE/FLOW



POWER/FLOW



SFP



MORE INFORMATION

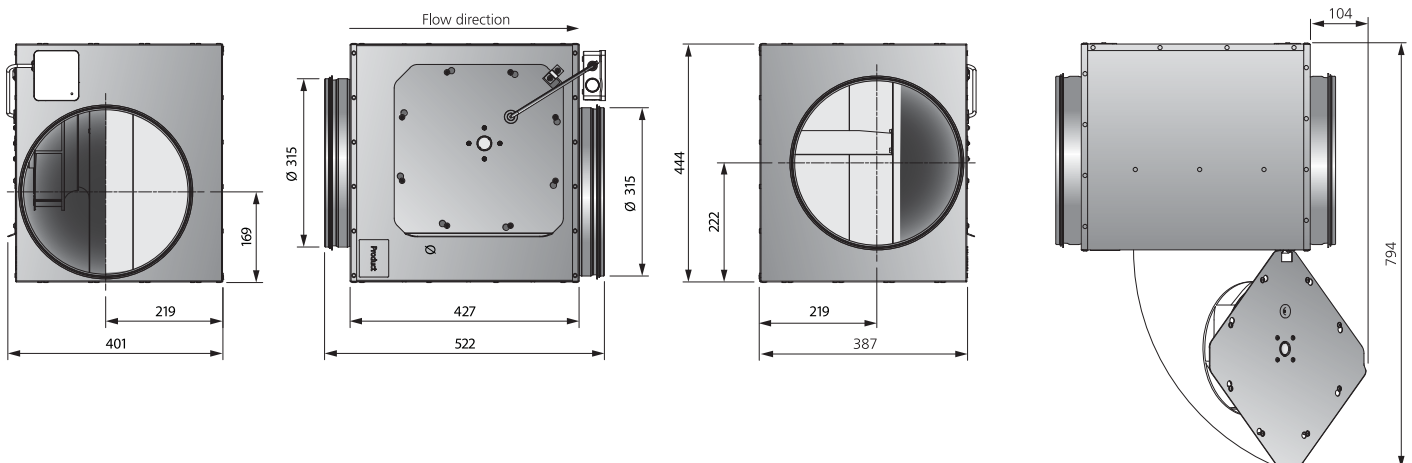


Find out the latest updated information about this product by visiting www.ostberg.com or by scanning QR code.

TRANSFORMER STEPS

1. 80 V 2. 110 V 3. 135 V 4. 165 V 5. 230 V

DIMENSIONS (mm)

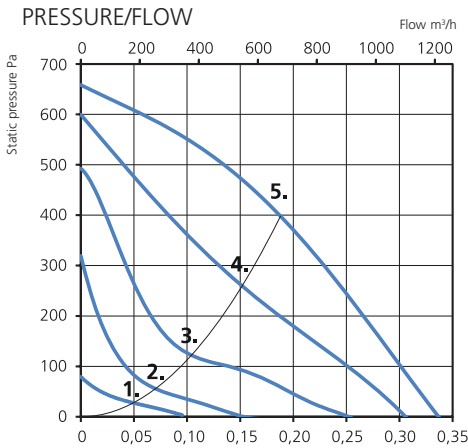


NON INSULATED DUCT FAN WITH CIRCULAR CONNECTIONS

LPKB SILENT 315 D1 ErP

7540708

- Low profile duct fan with circular connections.
- A small and useful duct fan which are perfect for spaces with minimum height clearance.
- Equipped with a built in silencer on the inlet side for an even lower sound level.
- High capacity and efficiency.
- Operational in both 50 and 60 Hz.
- Impeller with backward curved blades.
- The external rotor motor has maintenance-free sealed ball-bearings.
- Integrated motor protection.
- Junction box has enclosure class IP 54.
- For speed control a transformer or electronic speed controller can be connected.
- Fan housing is manufactured from galvanized sheet steel.
- Duct connections are equipped with rubber seals.
- The fan is intended to be installed in a duct system.
- A duct connected fan can be installed outside or in damp environments.
- The mounting brackets simplify installation in any position.

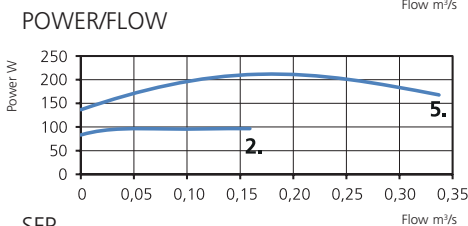


TECHNICAL DATA

| | |
|-------------------------------------|---------------|
| Voltage | 230 V |
| Frequency | 50 Hz (60 Hz) |
| Phase | 1 ~ |
| Current | 0.93 A |
| Power | 212 W |
| Speed | 2660 r.p.m. |
| Capacitor | 6 µF |
| Max. temp of transported air | 80 °C |
| Sound pressure level, 3 m | 49 dB(A) |
| Weight | 14.6 kg |
| Wiring diagram | 4040001 |

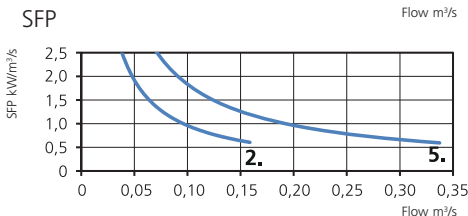
ACCESSORIES

- Mounting clamp MK 315
- Safety grille BSV 315
- Back draught shutter RSK 315
- Louvre YG 315
- Louvre shutter VK 315
- Filterbox FLK 315
- Filterbox FLF 315
- Silencer LDC 315
- Transformer controller VRTE 1
- Transformer controller VRDE 1.5
- Speed controller VRS 2.0



SOUND DATA

| | L_{wa} tot dB (A) | 63 | 125 | 250 | 500 | 1K | 2K | 4K | 8K |
|----------------------------|---------------------|----|-----|-----|-----|----|----|----|----|
| 5.Surrounding 230 V | 56 | 35 | 39 | 52 | 51 | 45 | 43 | 42 | 37 |
| 5.Outlet 230 V | 75 | 57 | 62 | 70 | 69 | 65 | 68 | 64 | 58 |
| 5.Inlet 230 V | 67 | 56 | 59 | 64 | 51 | 56 | 58 | 54 | 48 |
| 4.Inlet 165 V | 65 | 52 | 60 | 61 | 46 | 51 | 54 | 48 | 42 |
| 3.Inlet 135 V | 63 | 46 | 60 | 60 | 39 | 42 | 43 | 37 | 30 |
| 2.Inlet 110 V | 58 | 43 | 58 | 42 | 32 | 32 | 30 | 24 | 20 |
| 1.Inlet 80 V | 50 | 36 | 50 | 34 | 20 | 20 | 20 | 15 | 15 |



TRANSFORMER STEPS

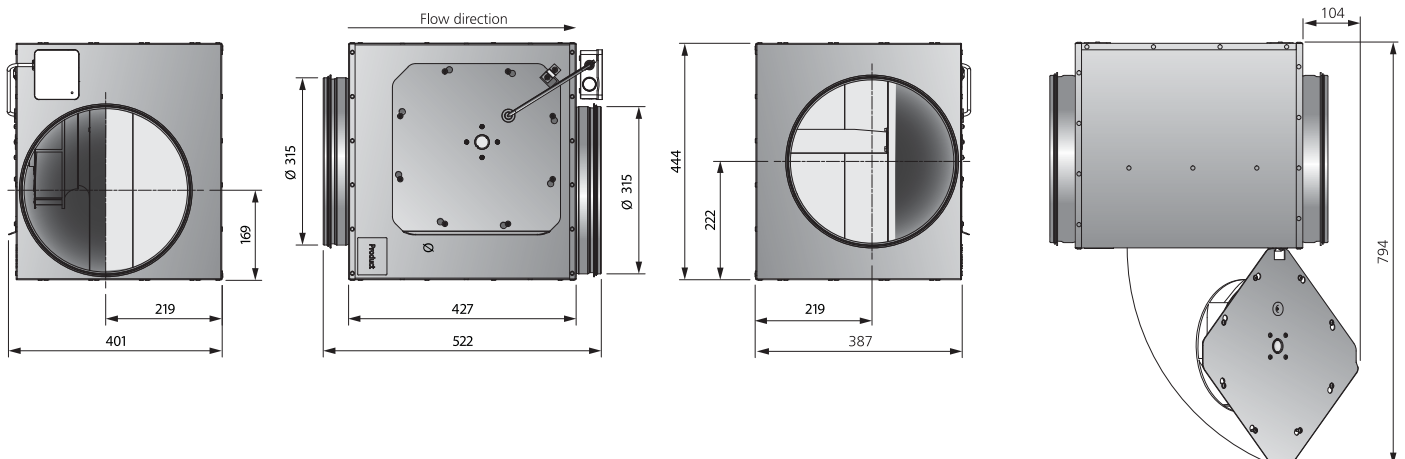
1. 80 V 2. 110 V 3. 135 V 4. 165 V 5. 230 V

MORE INFORMATION



Find out the latest updated information about this product by visiting www.ostberg.com or by scanning QR code.

DIMENSIONS (mm)





- Low profile duct fan with circular connections.
- A small and useful duct fan which are perfect for spaces with minimum height clearance.
- Equipped with a built in silencer on the inlet side for an even lower sound level.
- High capacity and efficiency.
- Impeller with backward curved blades.
- The external rotor motor has maintenance-free sealed ball-bearings and is very energy efficient.
- Speed controlling can be done with the built-in potentiometer, 0-10 V alt. external control.

- Integrated motor protection.
- Junction box has enclosure class IP 54.
- Fan housing is manufactured from galvanized sheet steel.
- Duct connections are equipped with rubber seals.
- The fan is intended to be installed in a duct system.
- A duct connected fan can be installed outside or in damp environments.
- The mounting brackets simplify installation in any position.

ACCESSORIES

- Mounting clamp MK 100
- Safety grille BSV 100
- Back draught shutter RSK 100
- Louvre YG 100
- Louvre shutter VK 100
- Filterbox FLK 100
- Filterbox FLF 100
- Silencer LDC 100
- Speed controller MS EC
- Pressure regulator CALAIR-PR-230V
- Pressure regulator FKP-R

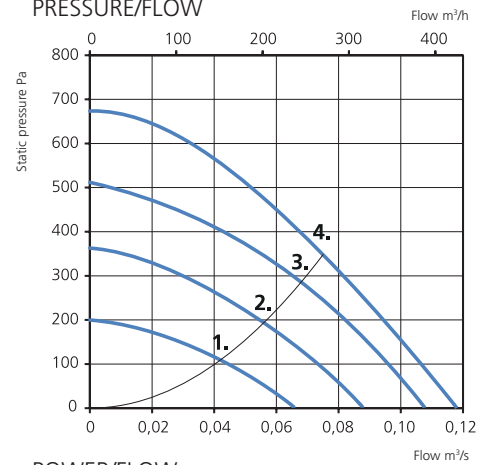
TECHNICAL DATA

| | |
|-------------------------------------|-------------|
| Voltage | 230 V |
| Frequency | 50/60 Hz |
| Phase | 1 ~ |
| Current | 0.86 A |
| Power | 104 W |
| Speed | 3450 r.p.m. |
| Capacitor | |
| Max. temp of transported air | 60 °C |
| Sound pressure level, 3 m | 54 dB(A) |
| Weight | 6.2 kg |
| Wiring diagram | 4040143 |

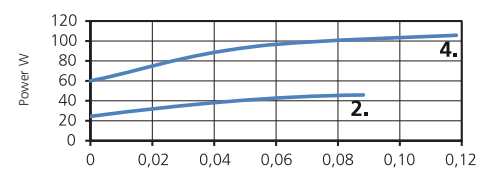
SOUND DATA

| | L _{WA} tot dB (A) | 63 | 125 | 250 | 500 | 1K | 2K | 4K | 8K |
|---------------------------|----------------------------|----|-----|-----|-----|----|----|----|----|
| 4.Surrounding 10 V | 61 | 32 | 46 | 55 | 59 | 51 | 48 | 42 | 33 |
| 4.Outlet 10 V | 81 | 64 | 69 | 71 | 78 | 73 | 73 | 67 | 59 |
| 4.Inlet 10 V | 70 | 60 | 65 | 66 | 61 | 54 | 52 | 52 | 43 |
| 3.Inlet 8 V | 68 | 57 | 63 | 64 | 58 | 51 | 49 | 49 | 40 |
| 2.Inlet 7 V | 64 | 54 | 59 | 61 | 52 | 46 | 44 | 43 | 34 |
| 1.Inlet 5 V | 58 | 50 | 54 | 53 | 45 | 38 | 35 | 34 | 22 |

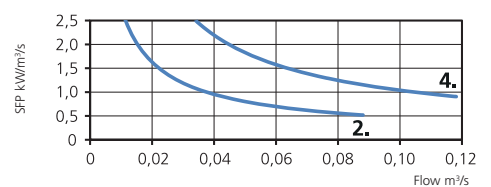
PRESSURE/FLOW



POWER/FLOW



SFP



MORE INFORMATION

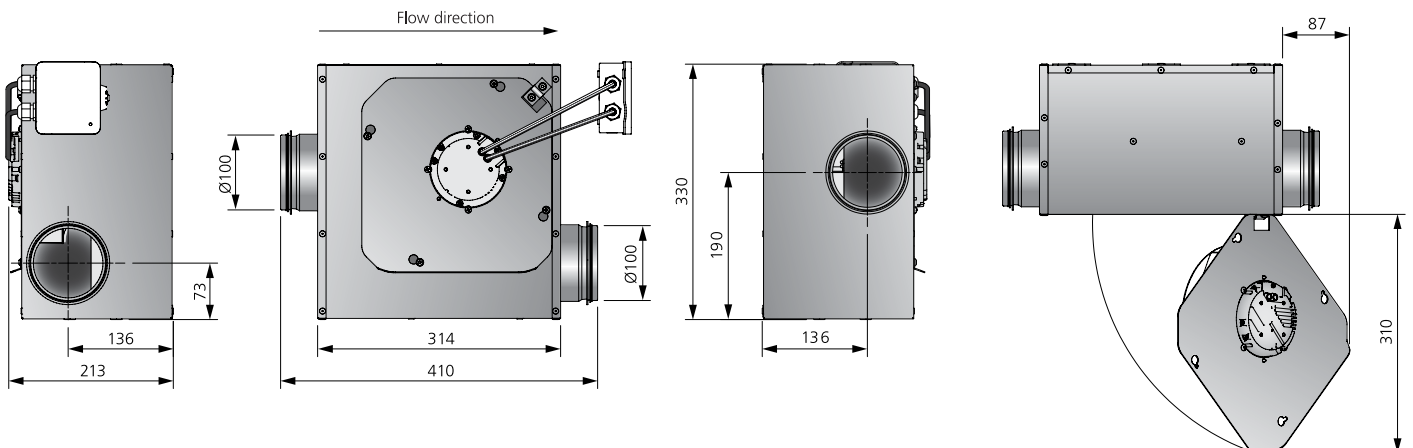


Find out the latest updated information about this product by visiting www.ostberg.com or by scanning QR code.

CONTROL VOLTAGE

1. 5 V 2. 7 V 3. 8 V 4. 10 V

DIMENSIONS (mm)



NON INSULATED DUCT FAN WITH CIRCULAR CONNECTIONS

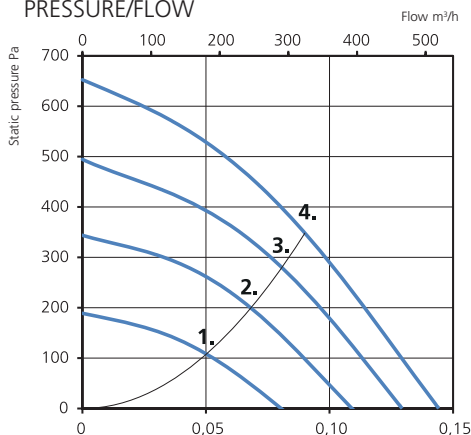
LPKB SILENT 125 C1 EC

7540773

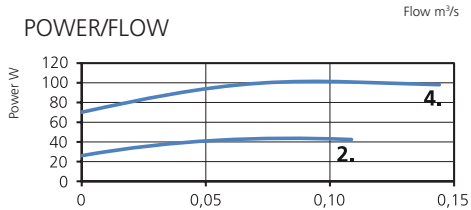
- Low profile duct fan with circular connections.
- A small and useful duct fan which are perfect for spaces with minimum height clearance.
- Equipped with a built in silencer on the inlet side for an even lower sound level.
- High capacity and efficiency.
- Impeller with backward curved blades.
- The external rotor motor has maintenance-free sealed ball-bearings and is very energy efficient.
- Speed controlling can be done with the built-in potentiometer, 0-10 V alt. external control.
- Integrated motor protection.
- Junction box has enclosure class IP 54.
- Fan housing is manufactured from galvanized sheet steel.
- Duct connections are equipped with rubber seals.
- The fan is intended to be installed in a duct system.
- A duct connected fan can be installed outside or in damp environments.
- The mounting brackets simplify installation in any position.



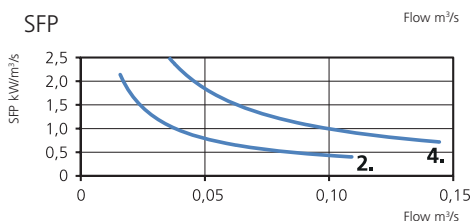
PRESSURE/FLOW



POWER/FLOW



SFP



TECHNICAL DATA

| | |
|------------------------------|-------------|
| Voltage | 230 V |
| Frequency | 50/60 Hz |
| Phase | 1 ~ |
| Current | 0.81 A |
| Power | 101 W |
| Speed | 3510 r.p.m. |
| Capacitor | |
| Max. temp of transported air | 60 °C |
| Sound pressure level, 3 m | 52 dB(A) |
| Weight | 6.2 kg |
| Wiring diagram | 4040143 |

ACCESSORIES

- Mounting clamp MK 125
- Safety grille BSV 125
- Back draught shutter RSK 125
- Louvre YG 125
- Louvre shutter VK 125
- Filterbox FLK 125
- Filterbox FLF 125
- Silencer LDC 125
- Speed controller MS EC
- Pressure regulator CALAIR-PR-230V
- Pressure regulator FKP-R

SOUND DATA

| | L_{WA} tot dB (A) | 63 | 125 | 250 | 500 | 1K | 2K | 4K | 8K |
|--------------------|---------------------|----|-----|-----|-----|----|----|----|----|
| 4.Surrounding 10 V | 59 | 36 | 44 | 51 | 56 | 48 | 46 | 40 | 32 |
| 4.Outlet 10 V | 80 | 63 | 67 | 70 | 78 | 72 | 71 | 67 | 59 |
| 4.Inlet 10 V | 70 | 57 | 65 | 65 | 61 | 55 | 57 | 54 | 45 |
| 3.Inlet 8 V | 68 | 60 | 63 | 63 | 61 | 52 | 54 | 50 | 40 |
| 2.Inlet 7 V | 64 | 52 | 60 | 59 | 53 | 48 | 49 | 45 | 34 |
| 1.Inlet 5 V | 59 | 46 | 55 | 55 | 45 | 39 | 40 | 35 | 23 |

CONTROL VOLTAGE

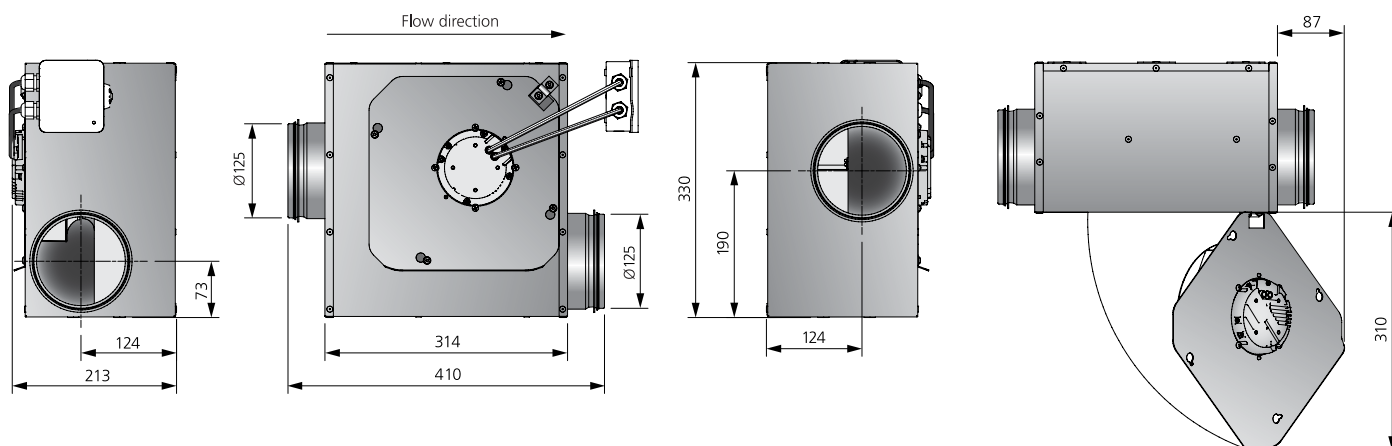
1. 5 V 2. 7 V 3. 8 V 4. 10 V

MORE INFORMATION



Find out the latest updated information about this product by visiting www.ostberg.com or by scanning QR code.

DIMENSIONS (mm)





- Low profile duct fan with circular connections.
- A small and useful duct fan which are perfect for spaces with minimum height clearance.
- Equipped with a built in silencer on the inlet side for an even lower sound level.
- High capacity and efficiency.
- Impeller with backward curved blades.
- The external rotor motor has maintenance-free sealed ball-bearings and is very energy efficient.
- Speed controlling can be done with the built-in potentiometer, 0-10 V alt. external control.

- Integrated motor protection.
- Junction box has enclosure class IP 54.
- Fan housing is manufactured from galvanized sheet steel.
- Duct connections are equipped with rubber seals.
- The fan is intended to be installed in a duct system.
- A duct connected fan can be installed outside or in damp environments.
- The mounting brackets simplify installation in any position.

ACCESSORIES

- Mounting clamp MK 160
- Safety grille BSV 160
- Back draught shutter RSK 160
- Louvre YG 160
- Louvre shutter VK 160
- Filterbox FLK 160
- Filterbox FLF 160
- Silencer LDC 160
- Speed controller MS EC
- Pressure regulator CALAIR-PR-230V
- Pressure regulator FKP-R

TECHNICAL DATA

| | |
|-------------------------------------|-------------|
| Voltage | 230 V |
| Frequency | 50/60 Hz |
| Phase | 1 ~ |
| Current | 0.84 A |
| Power | 101 W |
| Speed | 3570 r.p.m. |
| Capacitor | |
| Max. temp of transported air | 60 °C |
| Sound pressure level, 3 m | 52 dB(A) |
| Weight | 8.0 kg |
| Wiring diagram | 4040143 |

SOUND DATA

| | L_{wa} tot dB (A) | 63 | 125 | 250 | 500 | 1K | 2K | 4K | 8K |
|---------------------------|---------------------|----|-----|-----|-----|----|----|----|----|
| 4.Surrounding 10 V | 59 | 38 | 43 | 51 | 58 | 47 | 45 | 40 | 33 |
| 4.Outlet 10 V | 78 | 60 | 65 | 71 | 75 | 69 | 68 | 66 | 58 |
| 4.Inlet 10 V | 69 | 57 | 64 | 66 | 59 | 55 | 56 | 54 | 47 |
| 3.Inlet 8 V | 67 | 54 | 62 | 63 | 57 | 52 | 53 | 50 | 43 |
| 2.Inlet 7 V | 64 | 53 | 60 | 60 | 52 | 48 | 49 | 46 | 38 |
| 1.Inlet 5 V | 58 | 48 | 54 | 54 | 44 | 40 | 41 | 36 | 26 |

MORE INFORMATION

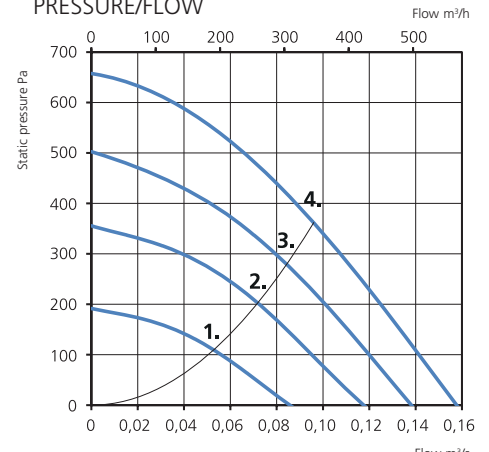


Find out the latest updated information about this product by visiting www.ostberg.com or by scanning QR code.

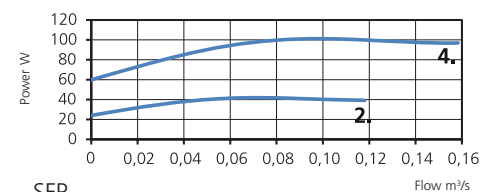
CONTROL VOLTAGE

1. 5 V 2. 7 V 3. 8 V 4. 10 V

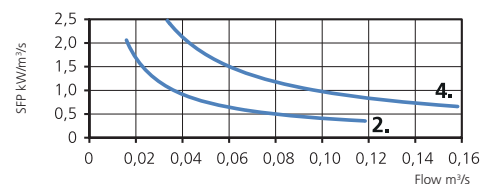
PRESSURE/FLOW



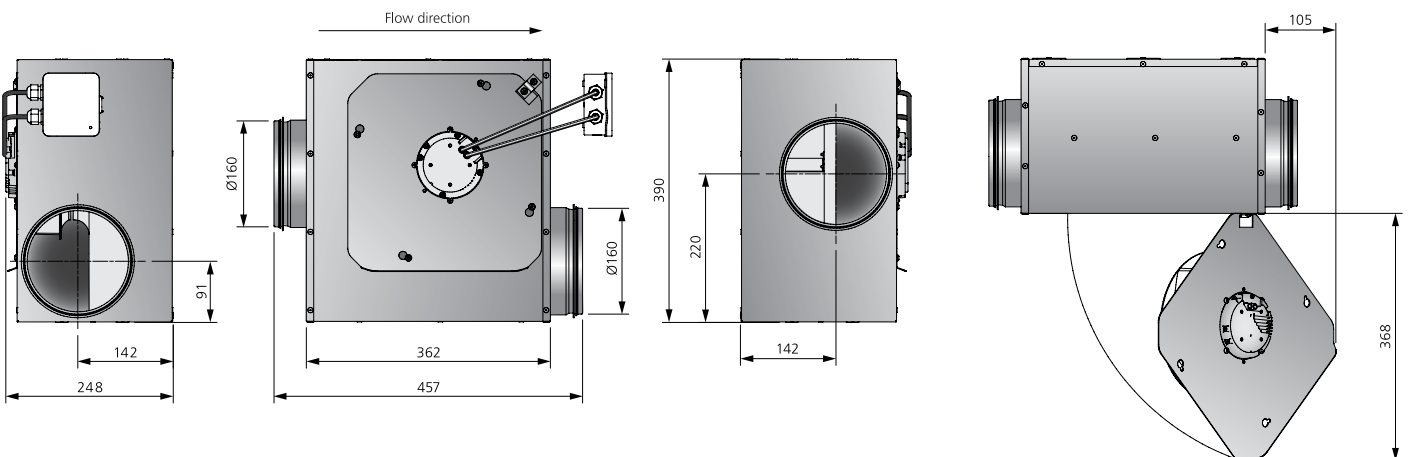
POWER/FLOW



SFP



DIMENSIONS (mm)



NON INSULATED DUCT FAN WITH CIRCULAR CONNECTIONS

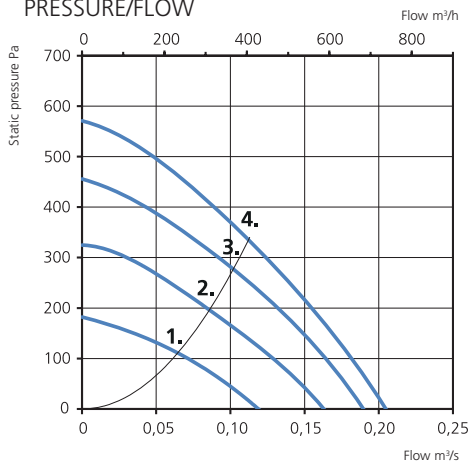
LPKB SILENT 160 C1 EC

7540681

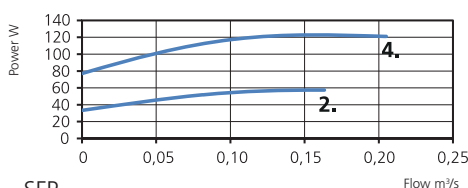
- Low profile duct fan with circular connections.
- A small and useful duct fan which are perfect for spaces with minimum height clearance.
- Equipped with a built in silencer on the inlet side for an even lower sound level.
- High capacity and efficiency.
- Impeller with backward curved blades.
- The external rotor motor has maintenance-free sealed ball-bearings and is very energy efficient.
- Speed controlling can be done with the built-in potentiometer, 0-10 V alt. external control.
- Integrated motor protection.
- Junction box has enclosure class IP 54.
- Fan housing is manufactured from galvanized sheet steel.
- Duct connections are equipped with rubber seals.
- The fan is intended to be installed in a duct system.
- A duct connected fan can be installed outside or in damp environments.
- The mounting brackets simplify installation in any position.



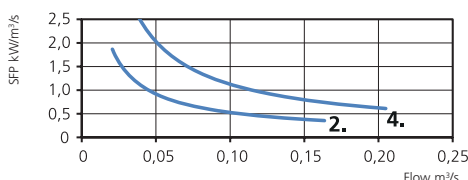
PRESSURE/FLOW



POWER/FLOW



SFP



TECHNICAL DATA

| | |
|------------------------------|-------------|
| Voltage | 230 V |
| Frequency | 50/60 Hz |
| Phase | 1 ~ |
| Current | 0.98 A |
| Power | 123 W |
| Speed | 2860 r.p.m. |
| Capacitor | |
| Max. temp of transported air | 60 °C |
| Sound pressure level, 3 m | 53 dB(A) |
| Weight | 7.5 kg |
| Wiring diagram | 4040180 |

ACCESSORIES

- Mounting clamp MK 160
- Safety grille BSV 160
- Back draught shutter RSK 160
- Louvre YG 160
- Louvre shutter VK 160
- Filterbox FLK 160
- Filterbox FLF 160
- Silencer LDC 160
- Speed controller MS EC
- Pressure regulator CALAIR-PR-230V
- Pressure regulator FKP-R

SOUND DATA

| | L _{wa} tot dB (A) | 63 | 125 | 250 | 500 | 1K | 2K | 4K | 8K |
|--------------------|----------------------------|----|-----|-----|-----|----|----|----|----|
| 4.Surrounding 10 V | 60 | 31 | 43 | 56 | 57 | 48 | 46 | 40 | 34 |
| 4.Outlet 10 V | 78 | 61 | 67 | 72 | 74 | 67 | 66 | 63 | 55 |
| 4.Inlet 10 V | 70 | 54 | 65 | 68 | 59 | 52 | 51 | 49 | 41 |
| 3.Inlet 8.5 V | 69 | 52 | 63 | 66 | 57 | 50 | 48 | 46 | 38 |
| 2.Inlet 7 V | 65 | 50 | 61 | 62 | 53 | 45 | 44 | 41 | 32 |
| 1.Inlet 5 V | 58 | 46 | 55 | 54 | 46 | 38 | 35 | 31 | 20 |

CONTROL VOLTAGE

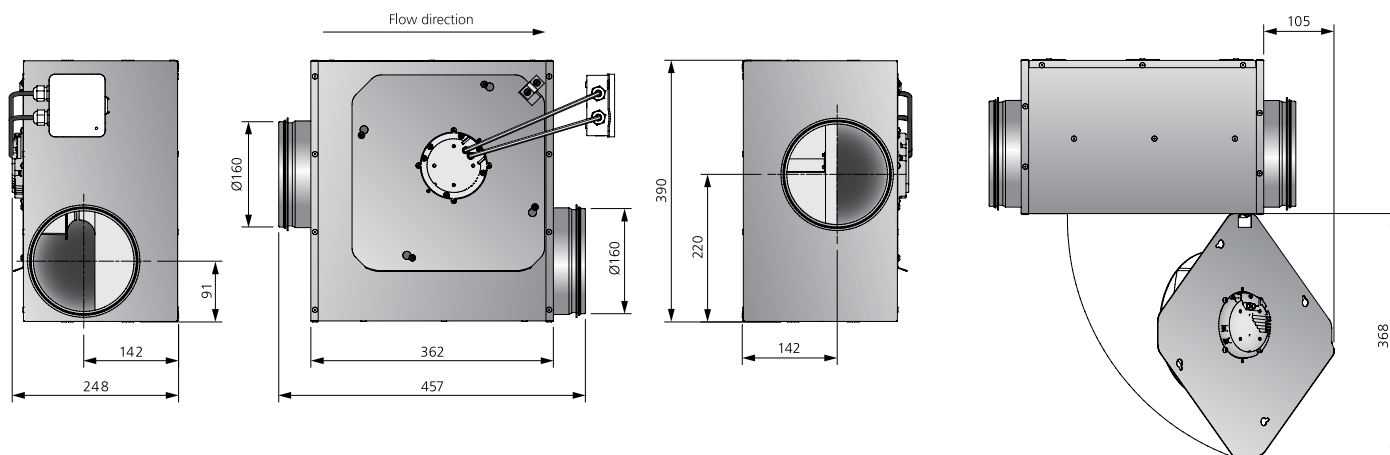
1. 5 V 2. 7 V 3. 8.5 V 4. 10 V

MORE INFORMATION



Find out the latest updated information about this product by visiting www.ostberg.com or by scanning QR code.

DIMENSIONS (mm)





- Low profile duct fan with circular connections.
- A small and useful duct fan which are perfect for spaces with minimum height clearance.
- Equipped with a built in silencer on the inlet side for an even lower sound level.
- High capacity and efficiency.
- Impeller with backward curved blades.
- The external rotor motor has maintenance-free sealed ball-bearings and is very energy efficient.
- Speed controlling can be done with the built-in potentiometer, 0-10 V alt. external control.

- Integrated motor protection.
- Junction box has enclosure class IP 54.
- Fan housing is manufactured from galvanized sheet steel.
- Duct connections are equipped with rubber seals.
- The fan is intended to be installed in a duct system.
- A duct connected fan can be installed outside or in damp environments.
- The mounting brackets simplify installation in any position.

ACCESSORIES

- Mounting clamp MK 200
- Safety grille BSV 200
- Back draught shutter RSK 200
- Louvre YG 200
- Louvre shutter VK 200
- Filterbox FLK 200
- Filterbox FLF 200
- Silencer LDC 200
- Speed controller MS EC
- Pressure regulator CALAIR-PR-230V
- Pressure regulator FKP-R

TECHNICAL DATA

| | |
|-------------------------------------|-------------|
| Voltage | 230 V |
| Frequency | 50/60 Hz |
| Phase | 1 ~ |
| Current | 0.98 A |
| Power | 125 W |
| Speed | 2840 r.p.m. |
| Capacitor | |
| Max. temp of transported air | 60 °C |
| Sound pressure level, 3 m | 53 dB(A) |
| Weight | 8.1 kg |
| Wiring diagram | 4040180 |

SOUND DATA

| | L_{WA} tot dB (A) | 63 | 125 | 250 | 500 | 1K | 2K | 4K | 8K |
|---------------------------|---------------------|----|-----|-----|-----|----|----|----|----|
| 4.Surrounding 10 V | 60 | 33 | 40 | 58 | 54 | 48 | 45 | 41 | 35 |
| 4.Outlet 10 V | 78 | 59 | 66 | 72 | 74 | 66 | 68 | 63 | 56 |
| 4.Inlet 10 V | 69 | 54 | 64 | 66 | 59 | 51 | 54 | 51 | 46 |
| 3.Inlet 8 V | 67 | 52 | 62 | 64 | 55 | 47 | 50 | 48 | 41 |
| 2.Inlet 7 V | 64 | 50 | 61 | 61 | 50 | 43 | 46 | 43 | 35 |
| 1.Inlet 5 V | 59 | 48 | 57 | 55 | 44 | 36 | 39 | 33 | 23 |

MORE INFORMATION

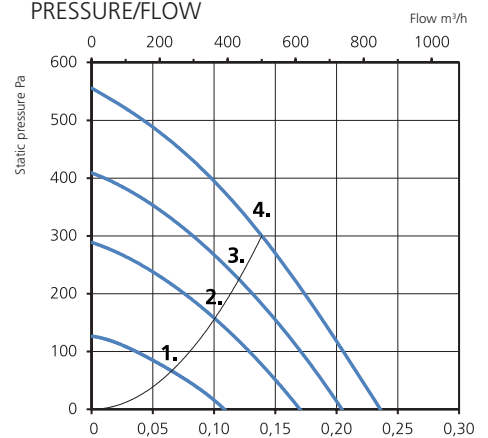


Find out the latest updated information about this product by visiting www.ostberg.com or by scanning QR code.

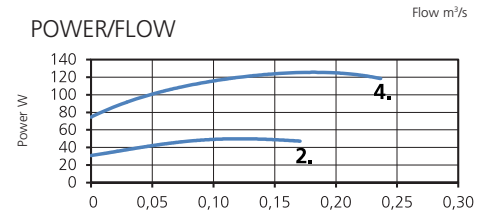
CONTROL VOLTAGE

1. 5 V 2. 7 V 3. 8 V 4. 10 V

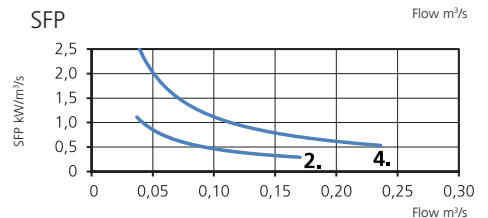
PRESSURE/FLOW



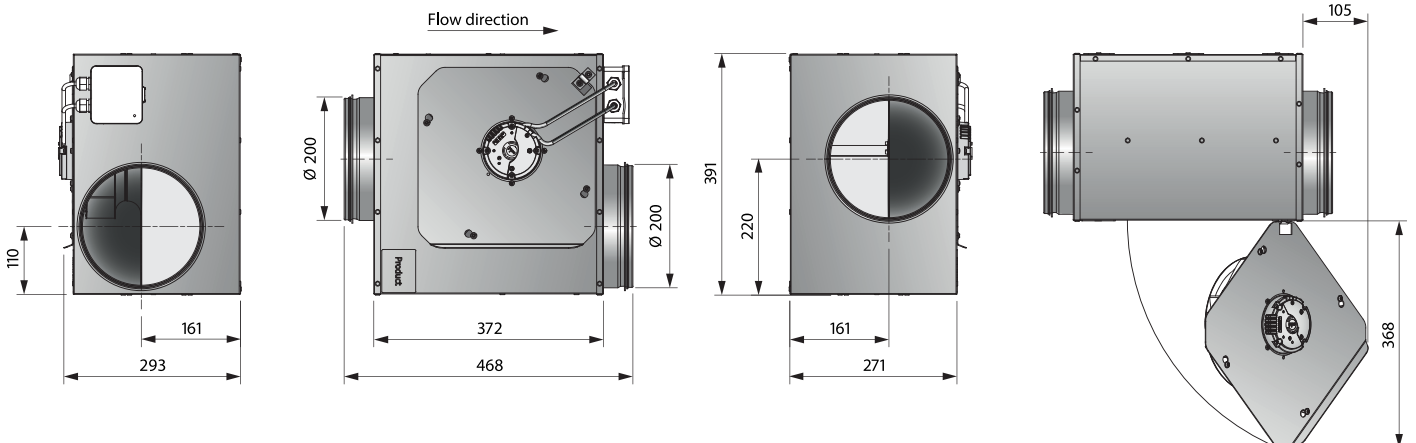
POWER/FLOW



SFP



DIMENSIONS (mm)



NON INSULATED DUCT FAN WITH CIRCULAR CONNECTIONS

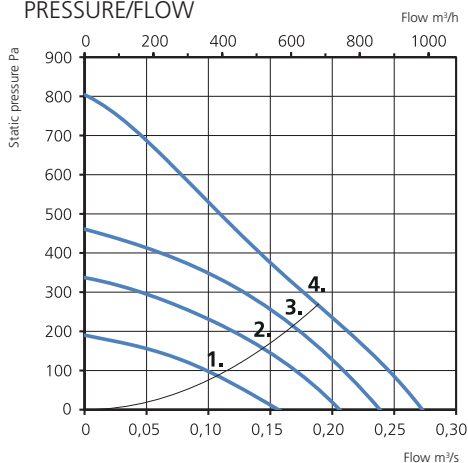
LPKB SILENT 200 C1 EC

7540664

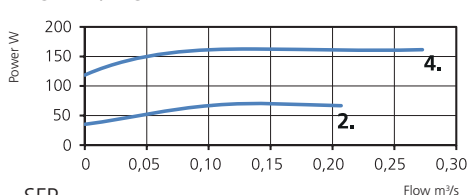
- Low profile duct fan with circular connections.
- A small and useful duct fan which are perfect for spaces with minimum height clearance.
- Equipped with a built in silencer on the inlet side for an even lower sound level.
- High capacity and efficiency.
- Impeller with backward curved blades.
- The external rotor motor has maintenance-free sealed ball-bearings and is very energy efficient.
- Speed controlling can be done with the built-in potentiometer, 0-10 V alt. external control.
- Integrated motor protection.
- Junction box has enclosure class IP 54.
- Fan housing is manufactured from galvanized sheet steel.
- Duct connections are equipped with rubber seals.
- The fan is intended to be installed in a duct system.
- A duct connected fan can be installed outside or in damp environments.
- The mounting brackets simplify installation in any position.



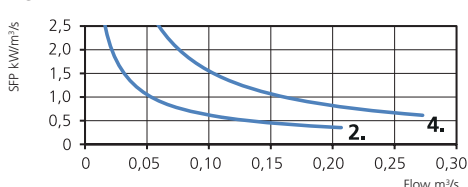
PRESSURE/FLOW



POWER/FLOW



SFP



TECHNICAL DATA

| | |
|------------------------------|-------------|
| Voltage | 230 V |
| Frequency | 50/60 Hz |
| Phase | 1 ~ |
| Current | 1.25 A |
| Power | 162 W |
| Speed | 2820 r.p.m. |
| Capacitor | |
| Max. temp of transported air | 50 °C |
| Sound pressure level, 3 m | 57 dB(A) |
| Weight | 8.3 kg |
| Wiring diagram | 4040143 |

ACCESSORIES

- Mounting clamp MK 200
- Safety grille BSV 200
- Back draught shutter RSK 200
- Louvre YG 200
- Louvre shutter VK 200
- Filterbox FLK 200
- Filterbox FLF 200
- Silencer LDC 200
- Speed controller MS EC
- Pressure regulator CALAIR-PR-230V
- Pressure regulator FKP-R

SOUND DATA

| | L_{wa} tot dB (A) | 63 | 125 | 250 | 500 | 1K | 2K | 4K | 8K |
|--------------------|---------------------|----|-----|-----|-----|----|----|----|----|
| 4.Surrounding 10 V | 64 | 36 | 48 | 57 | 62 | 53 | 49 | 42 | 34 |
| 4.Outlet 10 V | 82 | 64 | 68 | 75 | 79 | 73 | 72 | 68 | 58 |
| 4.Inlet 10 V | 71 | 59 | 66 | 68 | 63 | 55 | 52 | 51 | 42 |
| 3.Inlet 8 V | 69 | 56 | 64 | 66 | 59 | 51 | 48 | 47 | 38 |
| 2.Inlet 7 V | 67 | 53 | 60 | 65 | 55 | 47 | 44 | 41 | 31 |
| 1.Inlet 5.5 V | 61 | 47 | 55 | 60 | 48 | 38 | 36 | 30 | 20 |

CONTROL VOLTAGE

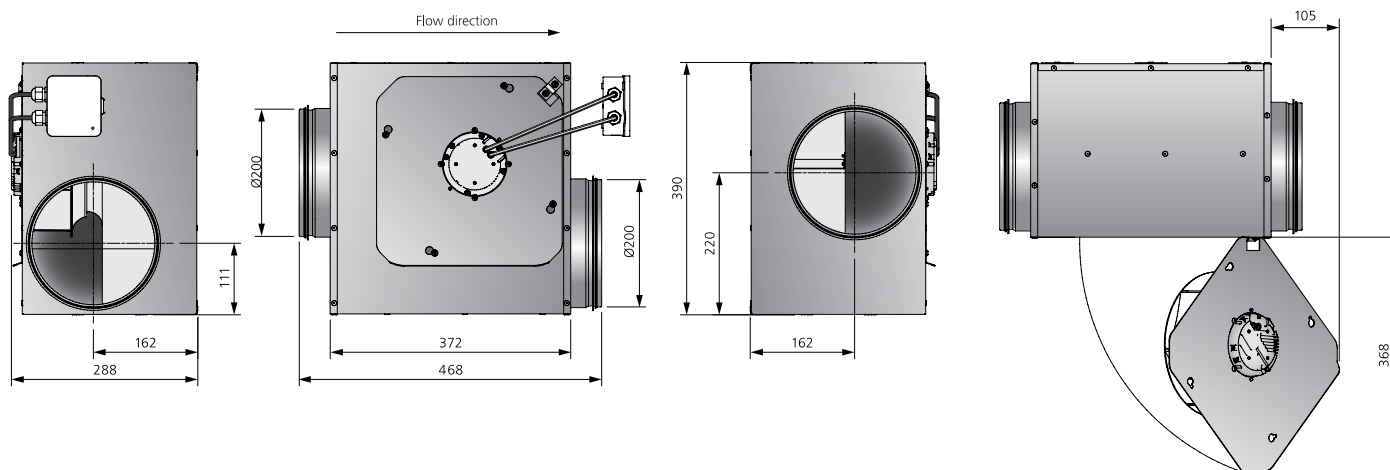
1. 5.5 V 2. 7 V 3. 8 V 4. 10 V

MORE INFORMATION



Find out the latest updated information about this product by visiting www.ostberg.com or by scanning QR code.

DIMENSIONS (mm)





- Low profile duct fan with circular connections.
- A small and useful duct fan which are perfect for spaces with minimum height clearance.
- Equipped with a built in silencer on the inlet side for an even lower sound level.
- High capacity and efficiency.
- Impeller with backward curved blades.
- The external rotor motor has maintenance-free sealed ball-bearings and is very energy efficient.
- Speed controlling can be done with the built-in potentiometer, 0-10 V alt. external control.

- Integrated motor protection.
- Junction box has enclosure class IP 54.
- Fan housing is manufactured from galvanized sheet steel.
- Duct connections are equipped with rubber seals.
- The fan is intended to be installed in a duct system.
- A duct connected fan can be installed outside or in damp environments.
- The mounting brackets simplify installation in any position.

ACCESSORIES

- Mounting clamp MK 250
- Safety grille BSV 250
- Back draught shutter RSK 250
- Louvre YG 250
- Louvre shutter VK 250
- Filterbox FLK 250
- Filterbox FLF 250
- Silencer LDC 250
- Speed controller MS EC
- Pressure regulator CALAIR-PR-230V
- Pressure regulator FKP-R

TECHNICAL DATA

| | |
|-------------------------------------|-------------|
| Voltage | 230 V |
| Frequency | 50/60 Hz |
| Phase | 1 ~ |
| Current | 0.93 A |
| Power | 116 W |
| Speed | 2880 r.p.m. |
| Capacitor | |
| Max. temp of transported air | 60 °C |
| Sound pressure level, 3 m | 50 dB(A) |
| Weight | 9.2 kg |
| Wiring diagram | 4040180 |

SOUND DATA

| | L_{wa} tot dB (A) | 63 | 125 | 250 | 500 | 1K | 2K | 4K | 8K |
|---------------------------|---------------------|----|-----|-----|-----|----|----|----|----|
| 4.Surrounding 10 V | 57 | 28 | 36 | 54 | 52 | 45 | 44 | 38 | 32 |
| 4.Outlet 10 V | 76 | 57 | 62 | 71 | 71 | 67 | 70 | 64 | 56 |
| 4.Inlet 10 V | 67 | 55 | 60 | 63 | 55 | 55 | 58 | 55 | 47 |
| 3.Inlet 8 V | 64 | 52 | 57 | 61 | 52 | 51 | 55 | 52 | 42 |
| 2.Inlet 7 V | 61 | 49 | 56 | 57 | 48 | 47 | 50 | 48 | 36 |
| 1.Inlet 5 V | 58 | 45 | 50 | 57 | 41 | 39 | 45 | 36 | 24 |

MORE INFORMATION

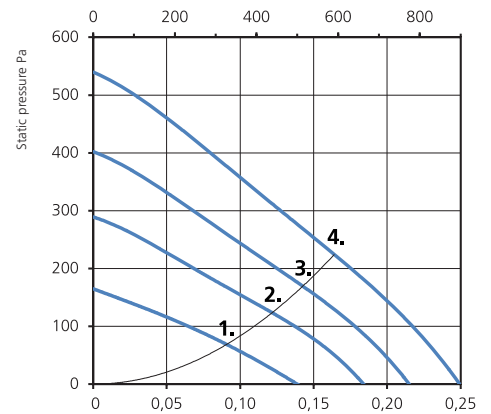


Find out the latest updated information about this product by visiting www.ostberg.com or by scanning QR code.

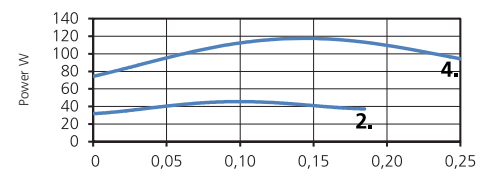
CONTROL VOLTAGE

1 5 V 2 7 V 3. 8 V 4. 10 V

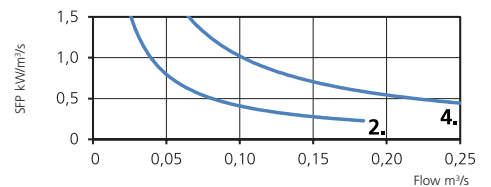
PRESSURE/FLOW



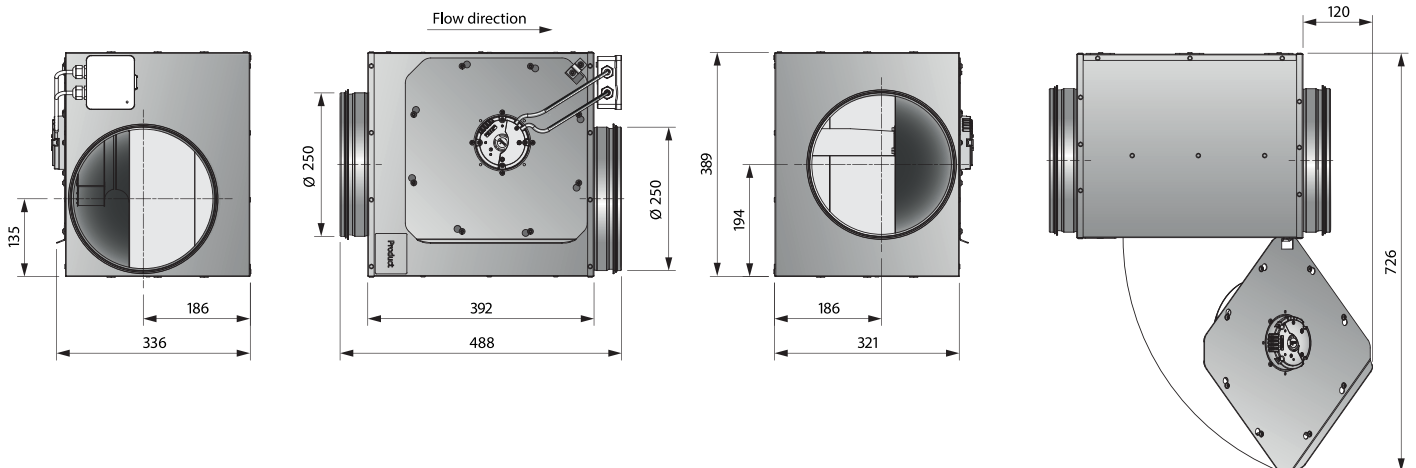
POWER/FLOW



SFP



DIMENSIONS (mm)



NON INSULATED DUCT FAN WITH CIRCULAR CONNECTIONS

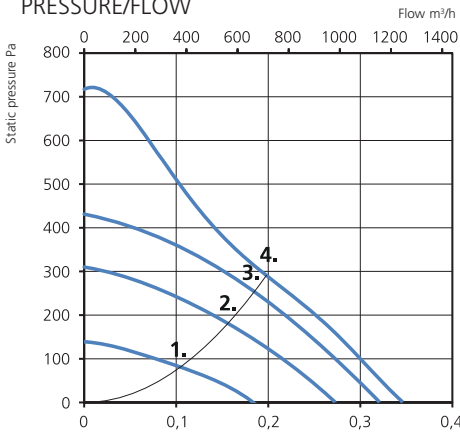
LPKB SILENT 250 D1 EC

7540679

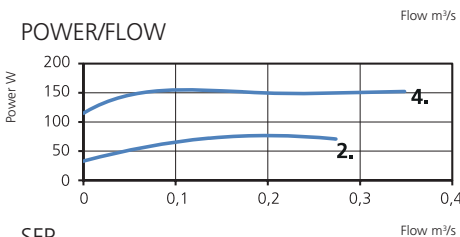
- Low profile duct fan with circular connections.
- A small and useful duct fan which are perfect for spaces with minimum height clearance.
- Equipped with a built in silencer on the inlet side for an even lower sound level.
- High capacity and efficiency.
- Impeller with backward curved blades.
- The external rotor motor has maintenance-free sealed ball-bearings and is very energy efficient.
- Speed controlling can be done with the built-in potentiometer, 0-10 V alt. external control.
- Integrated motor protection.
- Junction box has enclosure class IP 54.
- Fan housing is manufactured from galvanized sheet steel.
- Duct connections are equipped with rubber seals.
- The fan is intended to be installed in a duct system.
- A duct connected fan can be installed outside or in damp environments.
- The mounting brackets simplify installation in any position.



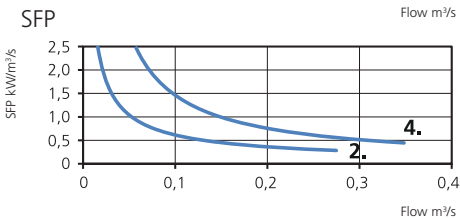
PRESSURE/FLOW



POWER/FLOW



SFP



TECHNICAL DATA

| | |
|------------------------------|-------------|
| Voltage | 230 V |
| Frequency | 50/60 Hz |
| Phase | 1 ~ |
| Current | 1.37 A |
| Power | 171 W |
| Speed | 3100 r.p.m. |
| Capacitor | |
| Max. temp of transported air | 50 °C |
| Sound pressure level, 3 m | 53 dB(A) |
| Weight | 9.2 kg |
| Wiring diagram | 4040143 |

ACCESSORIES

- Mounting clamp MK 250
- Safety grille BSV 250
- Back draught shutter RSK 250
- Louvre YG 250
- Louvre shutter VK 250
- Filterbox FLK 250
- Filterbox FLF 250
- Silencer LDC 250
- Speed controller MS EC
- Pressure regulator CALAIR-PR-230V
- Pressure regulator FKP-R

SOUND DATA

| | L_{wa} tot dB (A) | 63 | 125 | 250 | 500 | 1K | 2K | 4K | 8K |
|--------------------|---------------------|----|-----|-----|-----|----|----|----|----|
| 5.Surrounding 10 V | 60 | 36 | 47 | 56 | 56 | 49 | 44 | 37 | 32 |
| 5.Outlet 10 V | 82 | 64 | 69 | 78 | 77 | 72 | 73 | 69 | 61 |
| 5.Inlet 10 V | 72 | 59 | 66 | 71 | 58 | 55 | 56 | 54 | 45 |
| 4.Inlet 8 V | 71 | 58 | 65 | 70 | 56 | 53 | 54 | 52 | 42 |
| 3.Inlet 7 V | 69 | 57 | 63 | 68 | 53 | 51 | 52 | 49 | 39 |
| 2.Inlet 7 V | 67 | 56 | 61 | 65 | 52 | 48 | 50 | 47 | 36 |
| 1.Inlet 5 V | 58 | 48 | 55 | 55 | 40 | 38 | 37 | 32 | 19 |

CONTROL VOLTAGE

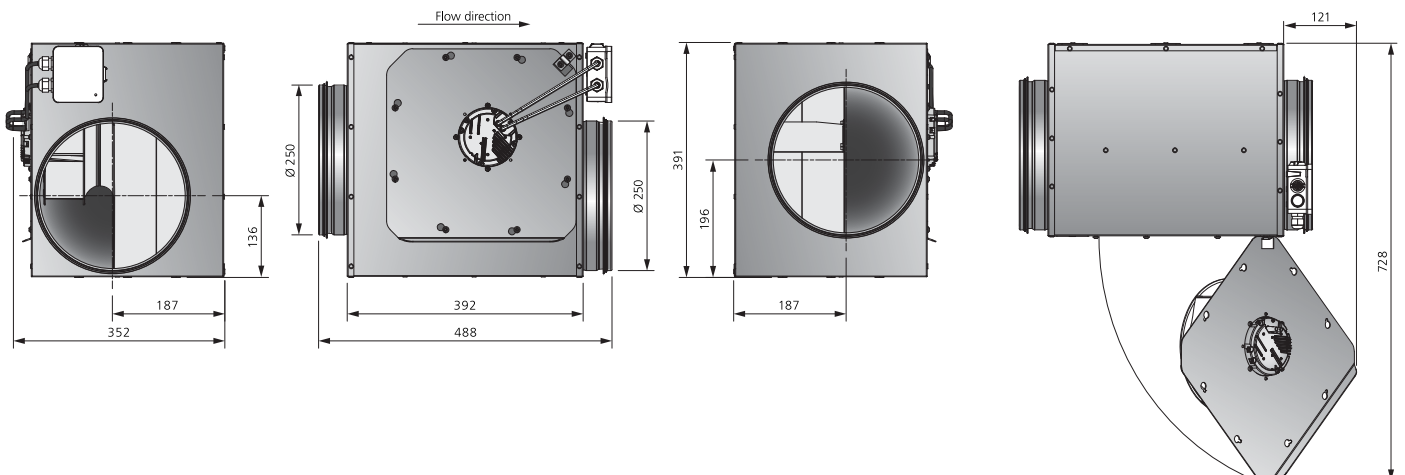
1. 5 V 2. 7 V 3. 7 V 4. 8 V 5. 10 V

MORE INFORMATION



Find out the latest updated information about this product by visiting www.ostberg.com or by scanning QR code.

DIMENSIONS (mm)





- Low profile duct fan with circular connections.
- A small and useful duct fan which are perfect for spaces with minimum height clearance.
- Equipped with a built in silencer on the inlet side for an even lower sound level.
- High capacity and efficiency.
- Impeller with backward curved blades.
- The external rotor motor has maintenance-free sealed ball-bearings and is very energy efficient.
- Speed controlling can be done with the built-in potentiometer, 0-10 V alt. external control.
- Integrated motor protection.
- Junction box has enclosure class IP 54.
- Fan housing is manufactured from galvanized sheet steel.
- Duct connections are equipped with rubber seals.
- The fan is intended to be installed in a duct system.
- A duct connected fan can be installed outside or in damp environments.
- The mounting brackets simplify installation in any position.

ACCESSORIES

- Mounting clamp MK 315
- Safety grille BSV 315
- Back draught shutter RSK 315
- Louvre YG 315
- Louvre shutter VK 315
- Filterbox FLK 315
- Filterbox FLF 315
- Silencer LDC 315
- Speed controller MS EC
- Pressure regulator CALAIR-PR-230V
- Pressure regulator FKP-R

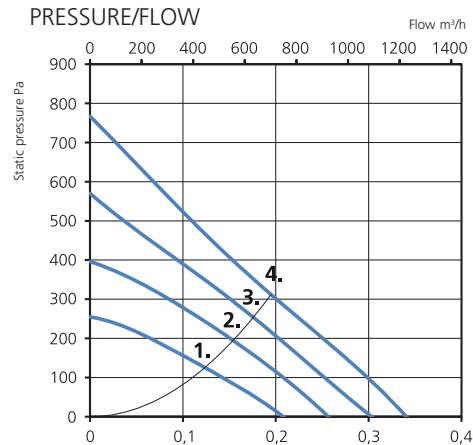
TECHNICAL DATA

| | |
|-------------------------------------|-------------|
| Voltage | 230 V |
| Frequency | 50/60 Hz |
| Phase | 1 ~ |
| Current | 1.33 A |
| Power | 167 W |
| Speed | 3030 r.p.m. |
| Capacitor | |
| Max. temp of transported air | 45 °C |
| Sound pressure level, 3 m | 50 dB(A) |
| Weight | 12.8 kg |
| Wiring diagram | 4040180 |

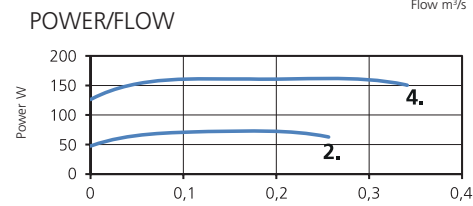
SOUND DATA

| | L_{WA} tot dB (A) | 63 | 125 | 250 | 500 | 1K | 2K | 4K | 8K |
|---------------------------|---------------------|----|-----|-----|-----|----|----|----|----|
| 4.Surrounding 10 V | 57 | 29 | 44 | 54 | 52 | 46 | 44 | 46 | 43 |
| 4.Outlet 10 V | 78 | 59 | 63 | 73 | 73 | 69 | 72 | 67 | 57 |
| 4.Inlet 10 V | 68 | 60 | 61 | 64 | 52 | 55 | 58 | 55 | 46 |
| 3.Inlet 8 V | 66 | 58 | 59 | 63 | 49 | 52 | 54 | 52 | 42 |
| 2.Inlet 6 V | 63 | 55 | 57 | 60 | 46 | 49 | 51 | 48 | 36 |
| 1.Inlet 5 V | 62 | 51 | 53 | 60 | 42 | 43 | 46 | 39 | 28 |

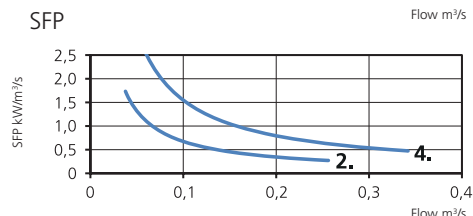
PRESSURE/FLOW



POWER/FLOW



SFP



MORE INFORMATION

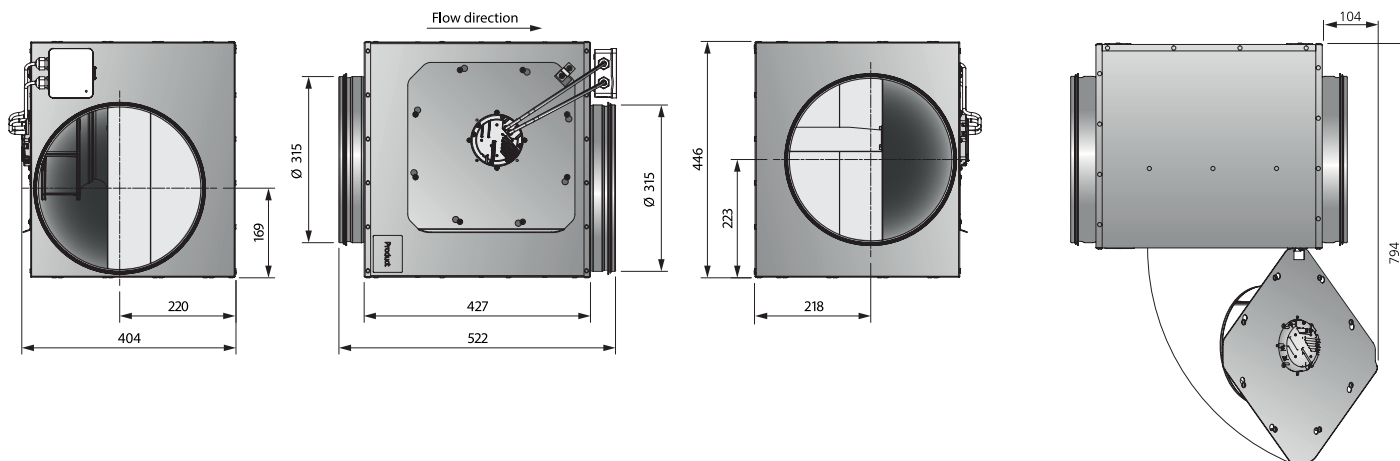


Find out the latest updated information about this product by visiting www.ostberg.com or by scanning QR code.

CONTROL VOLTAGE

1. 5 V 2. 6 V 3. 8 V 4. 10 V

DIMENSIONS (mm)



NON INSULATED DUCT FAN WITH CIRCULAR CONNECTIONS

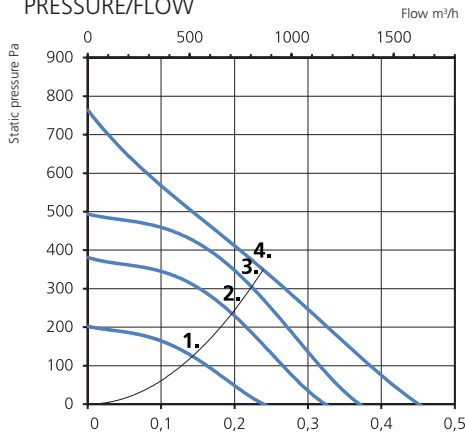
LPKB SILENT 315 E1 EC

7540716

- Low profile duct fan with circular connections.
- A small and useful duct fan which are perfect for spaces with minimum height clearance.
- Equipped with a built in silencer on the inlet side for an even lower sound level.
- High capacity and efficiency.
- Impeller with backward curved blades.
- The external rotor motor has maintenance-free sealed ball-bearings and is very energy efficient.
- Speed controlling can be done with the built-in potentiometer, 0-10 V alt. external control.
- Integrated motor protection.
- Junction box has enclosure class IP 54.
- Fan housing is manufactured from galvanized sheet steel.
- Duct connections are equipped with rubber seals.
- The fan is intended to be installed in a duct system.
- A duct connected fan can be installed outside or in damp environments.
- The mounting brackets simplify installation in any position.



PRESSURE/FLOW



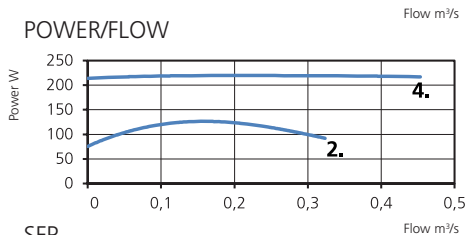
TECHNICAL DATA

| | |
|------------------------------|-------------|
| Voltage | 230 V |
| Frequency | 50/60 Hz |
| Phase | 1 ~ |
| Current | 0.97 A |
| Power | 216 W |
| Speed | 2440 r.p.m. |
| Capacitor | |
| Max. temp of transported air | 60 °C |
| Sound pressure level, 3 m | 52 dB(A) |
| Weight | 14.9 kg |
| Wiring diagram | 4040143 |

ACCESSORIES

- Mounting clamp MK 315
- Safety grille BSV 315
- Back draught shutter RSK 315
- Louvre YG 315
- Louvre shutter VK 315
- Filterbox FLK 315
- Filterbox FLF 315
- Silencer LDC 315
- Speed controller MS EC
- Pressure regulator CALAIR-PR-230V
- Pressure regulator FKP-R

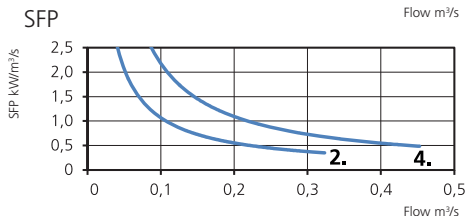
POWER/FLOW



SOUND DATA

| | L_{wa} tot dB (A) | 63 | 125 | 250 | 500 | 1K | 2K | 4K | 8K |
|--------------------|---------------------|----|-----|-----|-----|----|----|----|----|
| 4.Surrounding 10 V | 59 | 37 | 46 | 53 | 56 | 49 | 47 | 42 | 38 |
| 4.Outlet 10 V | 82 | 62 | 67 | 70 | 79 | 72 | 76 | 71 | 67 |
| 4.Inlet 10 V | 73 | 64 | 68 | 67 | 57 | 60 | 64 | 60 | 56 |
| 3.Inlet 8 V | 72 | 63 | 67 | 66 | 57 | 58 | 62 | 59 | 54 |
| 2.Inlet 7 V | 68 | 61 | 63 | 63 | 52 | 54 | 58 | 55 | 50 |
| 1.Inlet 5 V | 62 | 54 | 57 | 58 | 44 | 47 | 50 | 46 | 40 |

SFP



CONTROL VOLTAGE

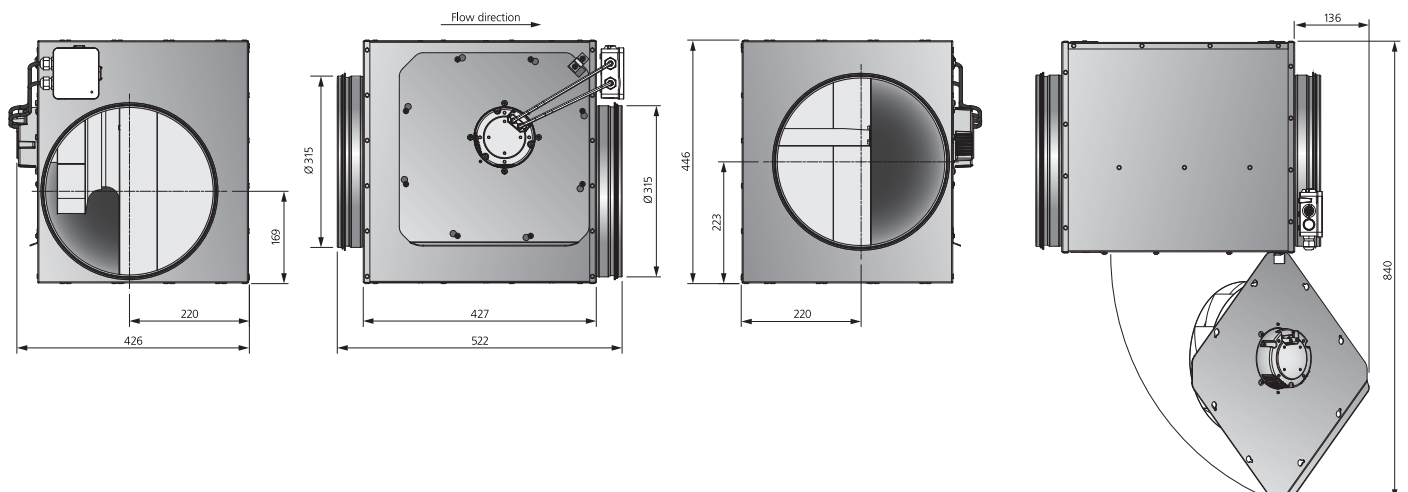
1. 5 V 2. 7 V 3. 8 V 4. 10 V

MORE INFORMATION



Find out the latest updated information about this product by visiting www.ostberg.com or by scanning QR code.

DIMENSIONS (mm)



NON INSULATED DUCT FAN WITH CIRCULAR CONNECTIONS

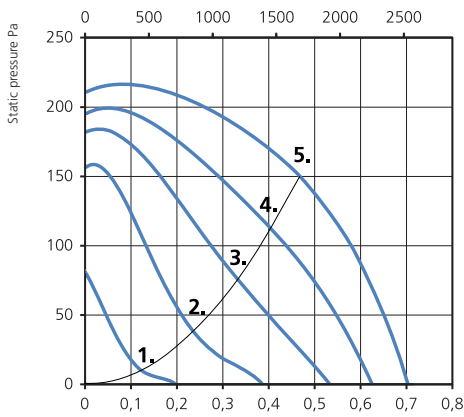
BFC 315 D1 ErP

7460401

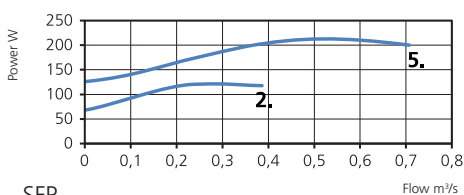
- Duct fan with circular connections.
- High capacity and very good efficiency.
- Operational in both 50 and 60 Hz.
- Impeller with backward curved blades.
- The external rotor motor has maintenance-free sealed ball-bearings.
- Integrated motor protection.
- Junction box has enclosure class IP 54.
- For speed control a transformer or electric speed controller can be connected.
- Fan housing is manufactured from galvanized sheet steel.
- The fan is intended to be installed in a duct system.
- A duct connected fan can be installed outside or in damp environments.
- Easy installation in any position.



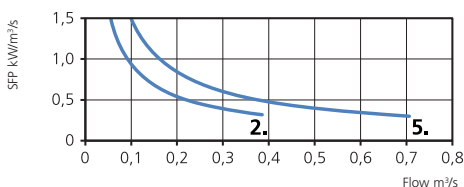
PRESSURE/FLOW



POWER/FLOW



SFP



TECHNICAL DATA

| | |
|-------------------------------------|-------------|
| Voltage | 230 V |
| Frequency | 50 Hz |
| Phase | 1 ~ |
| Current | 1.07 A |
| Power | 217 W |
| Speed | 1360 r.p.m. |
| Capacitor | 3 µF |
| Max. temp of transported air | 85 °C |
| Sound pressure level, 3 m | 44 dB(A) |
| Weight | 17.5 kg |
| Wiring diagram | 4040005 |

ACCESSORIES

- Mounting clamp MK 315
- Safety grille BSV 315
- Back draught shutter RSK 315
- Louvre YG 315
- Louvre shutter VK 315
- Filterbox FLK 315
- Filterbox FLF 315
- Silencer LDC 315
- Transformer controller VRTE 1
- Transformer controller VRDE 1.5
- Speed controller VRS 2.0

SOUND DATA

| | L_{wa} tot dB (A) | 63 | 125 | 250 | 500 | 1K | 2K | 4K | 8K |
|----------------------------|---------------------|----|-----|-----|-----|----|----|----|----|
| 5.Surrounding 230 V | 51 | 31 | 42 | 45 | 45 | 44 | 40 | 34 | 32 |
| 5.Outlet 230 V | 71 | 60 | 60 | 65 | 60 | 63 | 64 | 60 | 60 |
| 5.Inlet 230 V | 68 | 53 | 59 | 60 | 60 | 59 | 62 | 59 | 57 |
| 4.Inlet 165 V | 65 | 50 | 56 | 56 | 58 | 56 | 59 | 57 | 53 |
| 3.Inlet 135 V | 61 | 45 | 54 | 52 | 53 | 53 | 53 | 54 | 43 |
| 2.Inlet 110 V | 57 | 40 | 54 | 44 | 45 | 47 | 48 | 40 | 28 |
| 1.Inlet 80 V | 55 | 34 | 54 | 33 | 32 | 33 | 24 | 20 | 15 |

TRANSFORMER STEPS

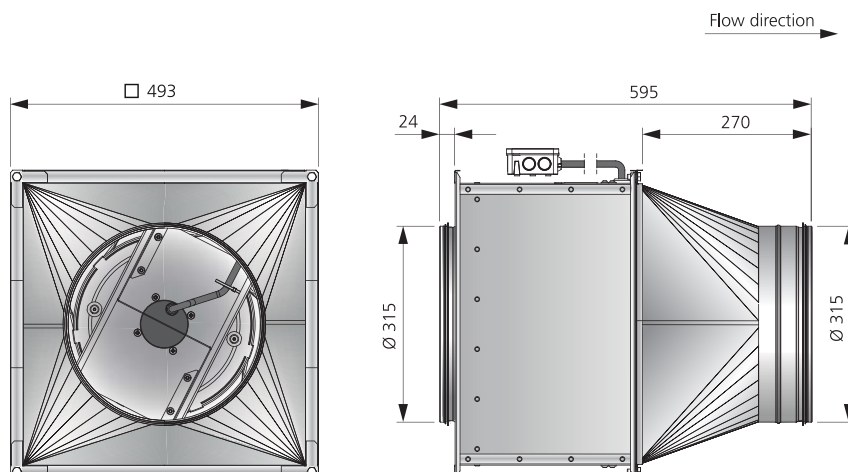
1. 80 V 2. 110 V 3. 135 V 4. 165 V 5. 230 V

MORE INFORMATION



Find out the latest updated information about this product by visiting www.ostberg.com or by scanning QR code.

DIMENSIONS (mm)





- Duct fan with circular connections.
- High capacity and very good efficiency.
- Operational in both 50 and 60 Hz.
- Impeller with backward curved blades.
- The external rotor motor has maintenance-free sealed ball-bearings.
- Integrated motor protection.
- Junction box has enclosure class IP 54.

- For speed control a transformer or electric speed controller can be connected.
- Fan housing is manufactured from galvanized sheet steel.
- The fan is intended to be installed in a duct system.
- A duct connected fan can be installed outside or in damp environments.
- Easy installation in any position.

ACCESSORIES

- Safety grille BSV 355
- Back draught shutter RSK 355
- Louvre shutter VK 355
- Transformer controller VRTE 3
- Transformer controller VRDE 3

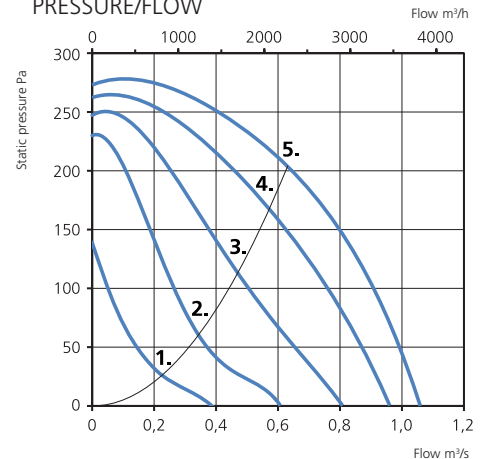
TECHNICAL DATA

| | |
|-------------------------------------|-------------|
| Voltage | 230 V |
| Frequency | 50 Hz |
| Phase | 1 ~ |
| Current | 1.92 A |
| Power | 379 W |
| Speed | 1380 r.p.m. |
| Capacitor | 10 µF |
| Max. temp of transported air | 65 °C |
| Sound pressure level, 3 m | 48 dB(A) |
| Weight | 24.1 kg |
| Wiring diagram | 4040005 |

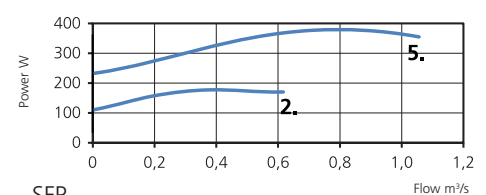
SOUND DATA

| | L _{WA} tot dB (A) | 63 | 125 | 250 | 500 | 1K | 2K | 4K | 8K |
|----------------------------|----------------------------|----|-----|-----|-----|----|----|----|----|
| 5.Surrounding 230 V | 55 | 34 | 46 | 51 | 49 | 43 | 41 | 38 | 31 |
| 5.Outlet 230 V | 73 | 62 | 64 | 66 | 61 | 65 | 66 | 63 | 58 |
| 5.Inlet 230 V | 71 | 55 | 61 | 63 | 62 | 63 | 66 | 62 | 56 |
| 4.Inlet 165 V | 68 | 53 | 58 | 59 | 59 | 60 | 63 | 59 | 53 |
| 3.Inlet 135 V | 64 | 49 | 56 | 54 | 54 | 56 | 58 | 53 | 45 |
| 2.Inlet 110 V | 58 | 45 | 55 | 47 | 47 | 49 | 49 | 42 | 34 |
| 1.Inlet 80 V | 54 | 36 | 54 | 37 | 38 | 39 | 36 | 27 | 19 |

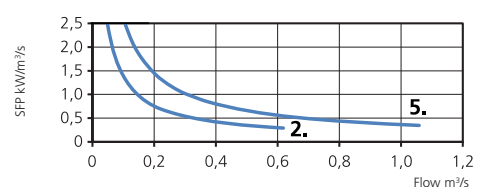
PRESSURE/FLOW



POWER/FLOW



SFP



MORE INFORMATION

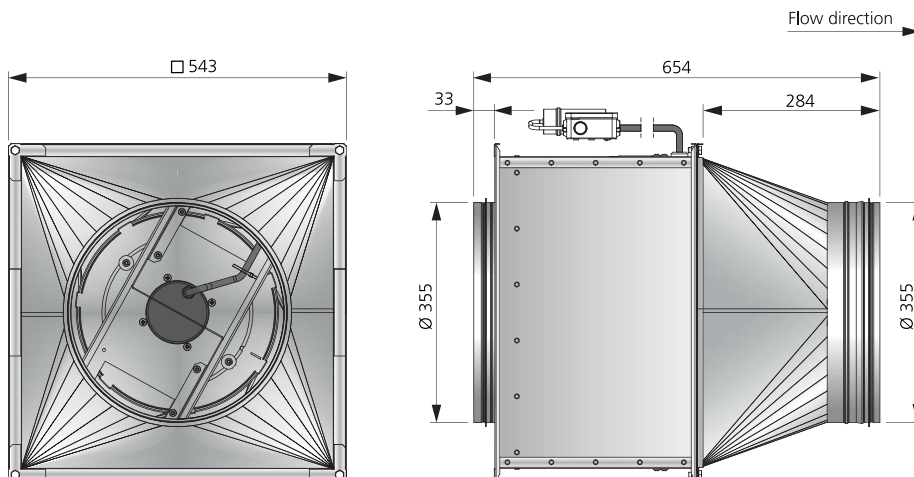


Find out the latest updated information about this product by visiting www.ostberg.com or by scanning QR code.

TRANSFORMER STEPS

1. 80 V 2. 110 V 3. 135 V 4. 165 V 5. 230 V

DIMENSIONS (mm)



NON INSULATED DUCT FAN WITH CIRCULAR CONNECTIONS

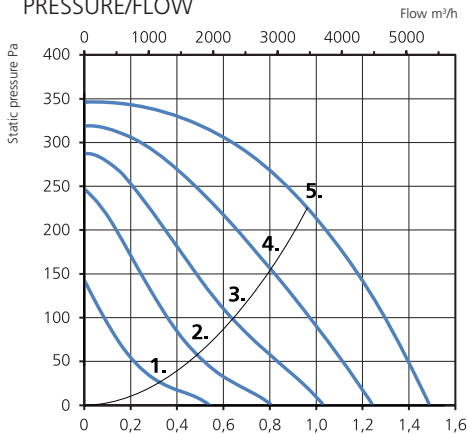
BFC 400 B1 ErP

7460403

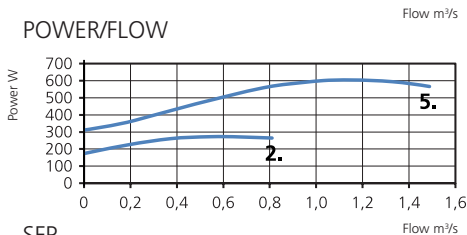
- Duct fan with circular connections.
- High capacity and very good efficiency.
- Operational in both 50 and 60 Hz.
- Impeller with backward curved blades.
- The external rotor motor has maintenance-free sealed ball-bearings.
- Integrated motor protection.
- Junction box has enclosure class IP 54.
- For speed control a transformer or electric speed controller can be connected.
- Fan housing is manufactured from galvanized sheet steel.
- The fan is intended to be installed in a duct system.
- A duct connected fan can be installed outside or in damp environments.
- Easy installation in any position.



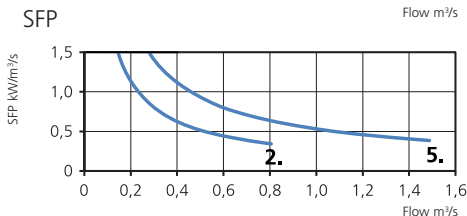
PRESSURE/FLOW



POWER/FLOW



SFP



TECHNICAL DATA

| | |
|-------------------------------------|-------------|
| Voltage | 230 V |
| Frequency | 50 Hz |
| Phase | 1 ~ |
| Current | 2.74 A |
| Power | 608 W |
| Speed | 1300 r.p.m. |
| Capacitor | 12 µF |
| Max. temp of transported air | 60 °C |
| Sound pressure level, 3 m | 53 dB(A) |
| Weight | 35.9 kg |
| Wiring diagram | 4040005 |

ACCESSORIES

- Mounting clamp MK 400
- Safety grille BSV 400
- Back draught shutter RSK 400
- Louvre shutter VK 400
- Filterbox FLK 400
- Filterbox FLF 400
- Transformer controller VRTE 3
- Transformer controller VRDE 3
- Speed controller VRS 4.0

SOUND DATA

| | L _{WA} tot dB (A) | 63 | 125 | 250 | 500 | 1K | 2K | 4K | 8K |
|----------------------------|----------------------------|----|-----|-----|-----|----|----|----|----|
| 5.Surrounding 230 V | 60 | 37 | 44 | 57 | 54 | 50 | 46 | 42 | 34 |
| 5.Outlet 230 V | 79 | 68 | 70 | 70 | 68 | 72 | 72 | 68 | 62 |
| 5.Inlet 230 V | 77 | 57 | 64 | 66 | 67 | 70 | 71 | 68 | 61 |
| 4.Inlet 165 V | 72 | 52 | 60 | 62 | 63 | 66 | 67 | 62 | 55 |
| 3.Inlet 135 V | 67 | 47 | 56 | 58 | 57 | 63 | 61 | 56 | 47 |
| 2.Inlet 110 V | 61 | 46 | 54 | 52 | 50 | 55 | 53 | 46 | 36 |
| 1.Inlet 80 V | 57 | 42 | 57 | 42 | 40 | 45 | 41 | 34 | 24 |

TRANSFORMER STEPS

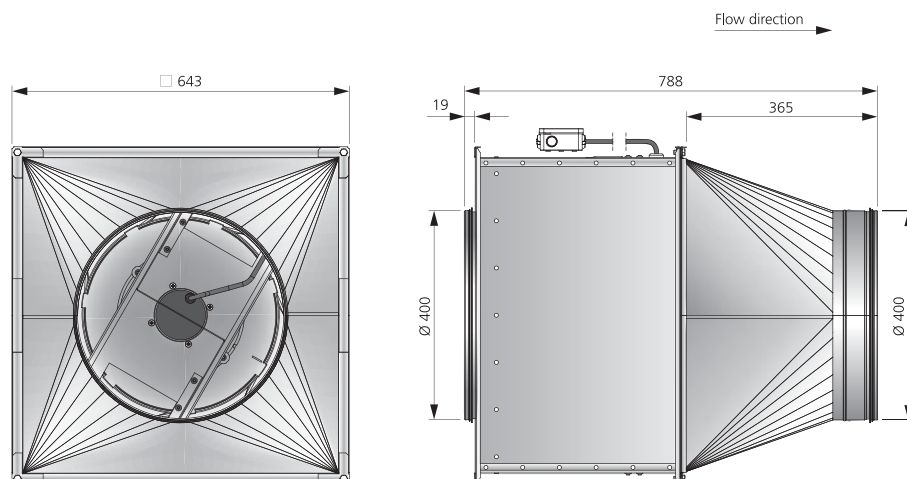
1. 80 V 2. 110 V 3. 135 V 4. 165 V 5. 230 V

MORE INFORMATION



Find out the latest updated information about this product by visiting www.ostberg.com or by scanning QR code.

DIMENSIONS (mm)





- Duct fan with circular connections.
- High capacity and very good efficiency.
- Operational in both 50 and 60 Hz.
- Impeller with backward curved blades.
- The external rotor motor has maintenance-free sealed ball-bearings.
- Integrated motor protection.
- Junction box has enclosure class IP 54.

- For speed control a transformer or electric speed controller can be connected.
- Fan housing is manufactured from galvanized sheet steel.
- The fan is intended to be installed in a duct system.
- A duct connected fan can be installed outside or in damp environments.
- Easy installation in any position.

ACCESSORIES

- Mounting clamp MK 400
- Safety grille BSV 400
- Back draught shutter RSK 400
- Louvre shutter VK 400
- Filterbox FLK 400
- Filterbox FLF 400
- Transformer controller VRIT 2
- Transformer controller VRDT 2

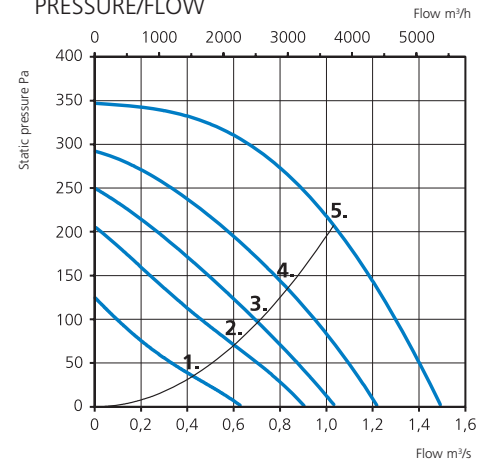
TECHNICAL DATA

| | |
|-------------------------------------|---------------|
| Voltage | 400 V |
| Frequency | 50 Hz (60 Hz) |
| Phase | 3 ~ |
| Current | 1.20 A |
| Power | 561 W |
| Speed | 1300 r.p.m. |
| Capacitor | |
| Max. temp of transported air | 60 °C |
| Sound pressure level, 3 m | 52 dB(A) |
| Weight | 35 kg |
| Wiring diagram | 4040004 |

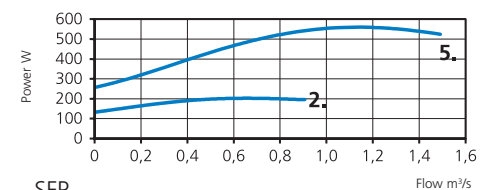
SOUND DATA

| | L_{WA} tot dB (A) | 63 | 125 | 250 | 500 | 1K | 2K | 4K | 8K |
|----------------------------|---------------------|----|-----|-----|-----|----|----|----|----|
| 5.Surrounding 400 V | 59 | 40 | 40 | 57 | 50 | 49 | 45 | 41 | 34 |
| 5.Outlet 400 V | 79 | 69 | 71 | 71 | 67 | 73 | 72 | 69 | 61 |
| 5.Inlet 400 V | 78 | 57 | 64 | 74 | 67 | 70 | 71 | 68 | 60 |
| 4.Inlet 240 V | 72 | 52 | 59 | 64 | 62 | 65 | 66 | 62 | 54 |
| 3.Inlet 185 V | 68 | 49 | 57 | 61 | 58 | 61 | 62 | 57 | 48 |
| 2.Inlet 145 V | 64 | 47 | 53 | 57 | 53 | 58 | 58 | 52 | 43 |
| 1.Inlet 95 V | 55 | 41 | 45 | 50 | 44 | 50 | 48 | 41 | 30 |

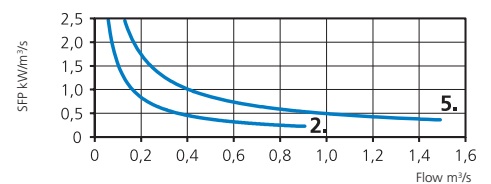
PRESSURE/FLOW



POWER/FLOW



SFP



MORE INFORMATION

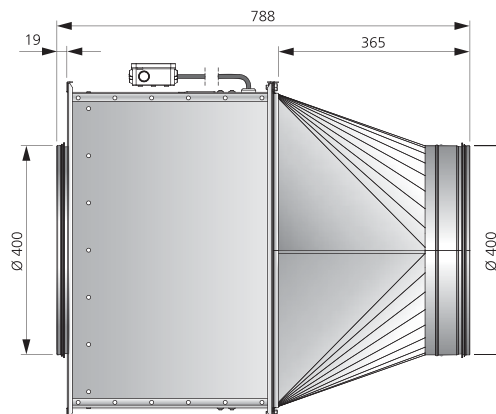
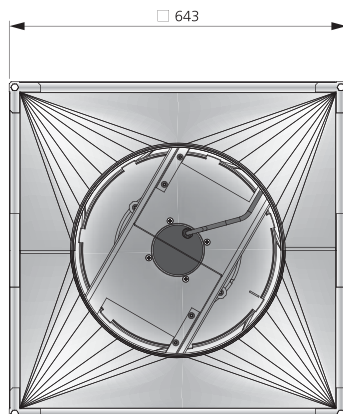


Find out the latest updated information about this product by visiting www.ostberg.com or by scanning QR code.

TRANSFORMER STEPS

1. 95 V 2. 145 V 3. 185 V 4. 240 V 5. 400 V

DIMENSIONS (mm)



NON INSULATED DUCT FAN WITH CIRCULAR CONNECTIONS

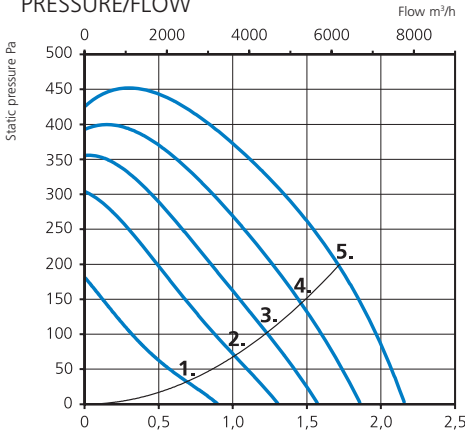
BFC 400 E3 ErP

7460406

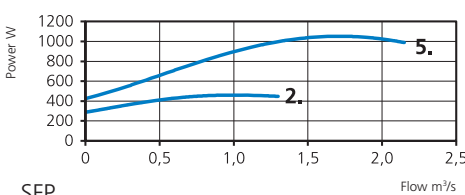
- Duct fan with circular connections.
- High capacity and very good efficiency.
- Operational in both 50 and 60 Hz.
- Impeller with backward curved blades.
- The external rotor motor has maintenance-free sealed ball-bearings.
- Integrated motor protection.
- Junction box has enclosure class IP 54.
- For speed control a transformer or electric speed controller can be connected.
- Fan housing is manufactured from galvanized sheet steel.
- The fan is intended to be installed in a duct system.
- A duct connected fan can be installed outside or in damp environments.
- Easy installation in any position.



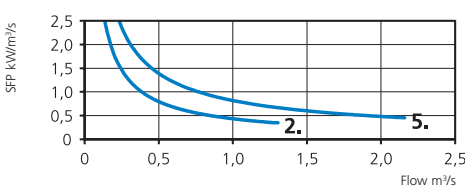
PRESSURE/FLOW



POWER/FLOW



SFP



TECHNICAL DATA

| | |
|------------------------------|-------------|
| Voltage | 400 V |
| Frequency | 50 Hz |
| Phase | 3 ~ |
| Current | 2.03 A |
| Power | 1040 W |
| Speed | 1380 r.p.m. |
| Capacitor | |
| Max. temp of transported air | 60 °C |
| Sound pressure level, 3 m | 55 dB(A) |
| Weight | 43.4 kg |
| Wiring diagram | 4040004 |

ACCESSORIES

- Mounting clamp MK 400
- Safety grille BSV 400
- Back draught shutter RSK 400
- Louvre shutter VK 400
- Filterbox FLK 400
- Filterbox FLF 400
- Transformer controller VRTT 4
- Transformer controller VRDT 4

SOUND DATA

| | L _{WA} tot dB (A) | 63 | 125 | 250 | 500 | 1K | 2K | 4K | 8K |
|---------------------|----------------------------|----|-----|-----|-----|----|----|----|----|
| 5.Surrounding 400 V | 62 | 44 | 47 | 59 | 56 | 54 | 49 | 44 | 39 |
| 5.Outlet 400 V | 88 | 77 | 82 | 82 | 80 | 80 | 77 | 72 | 67 |
| 5.Inlet 400 V | 80 | 62 | 69 | 71 | 72 | 74 | 73 | 71 | 65 |
| 4.Inlet 240 V | 77 | 59 | 66 | 68 | 69 | 70 | 70 | 67 | 60 |
| 3.Inlet 185 V | 73 | 55 | 62 | 64 | 66 | 66 | 66 | 62 | 55 |
| 2.Inlet 145 V | 68 | 51 | 58 | 61 | 61 | 61 | 61 | 56 | 48 |
| 1.Inlet 95 V | 58 | 45 | 49 | 52 | 50 | 52 | 50 | 44 | 35 |

TRANSFORMER STEPS

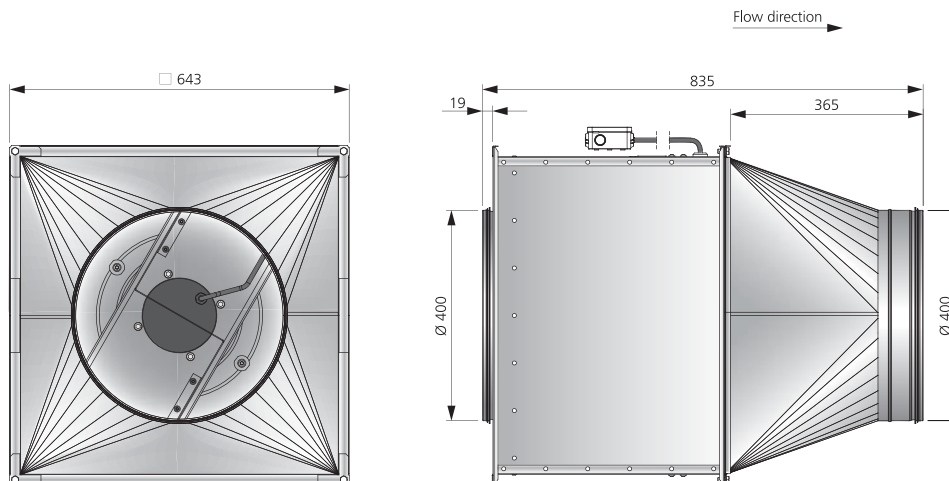
1. 95 V 2. 145 V 3. 185 V 4. 240 V 5. 400 V

MORE INFORMATION



Find out the latest updated information about this product by visiting www.ostberg.com or by scanning QR code.

DIMENSIONS (mm)





- Duct fan with circular connections.
- High capacity and very good efficiency.
- Operational in both 50 and 60 Hz.
- Impeller with backward curved blades.
- The external rotor motor has maintenance-free sealed ball-bearings.
- Integrated motor protection.
- Junction box has enclosure class IP 54.

- For speed control a transformer or electric speed controller can be connected.
- Fan housing is manufactured from galvanized sheet steel.
- The fan is intended to be installed in a duct system.
- A duct connected fan can be installed outside or in damp environments.
- Easy installation in any position.

ACCESSORIES

- Mounting clamp MK 500
- Safety grille BSV 500
- Back draught shutter RSK 500
- Louvre shutter VK 500
- Transformer controller VRTE 3
- Transformer controller VRDE 3

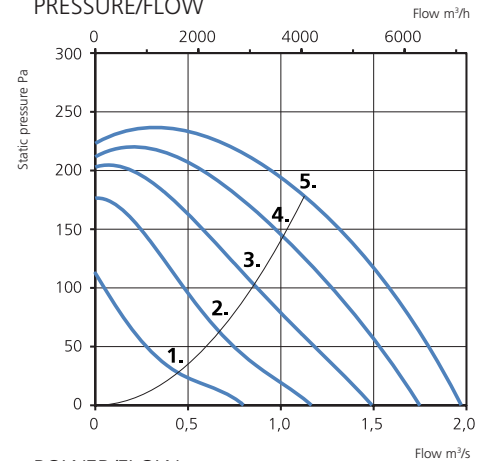
TECHNICAL DATA

| | |
|-------------------------------------|-------------|
| Voltage | 230 V |
| Frequency | 50 Hz |
| Phase | 1 ~ |
| Current | 2.59 A |
| Power | 559 W |
| Speed | 1340 r.p.m. |
| Capacitor | 14 µF |
| Max. temp of transported air | 65 °C |
| Sound pressure level, 3 m | 52 dB(A) |
| Weight | 43.6 kg |
| Wiring diagram | 4040005 |

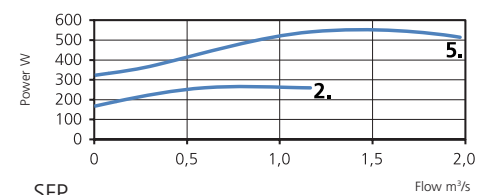
SOUND DATA

| | L_{wa} tot dB (A) | 63 | 125 | 250 | 500 | 1K | 2K | 4K | 8K |
|----------------------------|---------------------|----|-----|-----|-----|----|----|----|----|
| 5.Surrounding 230 V | 59 | 34 | 44 | 58 | 48 | 42 | 37 | 35 | 29 |
| 5.Outlet 230 V | 77 | 60 | 67 | 71 | 65 | 72 | 69 | 66 | 56 |
| 5.Inlet 230 V | 76 | 52 | 65 | 73 | 64 | 67 | 69 | 65 | 55 |
| 4.Inlet 165 V | 71 | 51 | 63 | 62 | 61 | 64 | 66 | 61 | 50 |
| 3.Inlet 135 V | 65 | 48 | 54 | 57 | 55 | 59 | 60 | 56 | 42 |
| 2.Inlet 110 V | 60 | 46 | 50 | 50 | 48 | 53 | 56 | 43 | 32 |
| 1.Inlet 80 V | 52 | 34 | 47 | 42 | 37 | 47 | 40 | 28 | 23 |

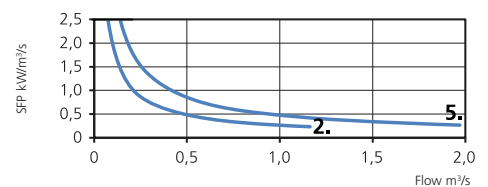
PRESSURE/FLOW



POWER/FLOW



SFP



MORE INFORMATION

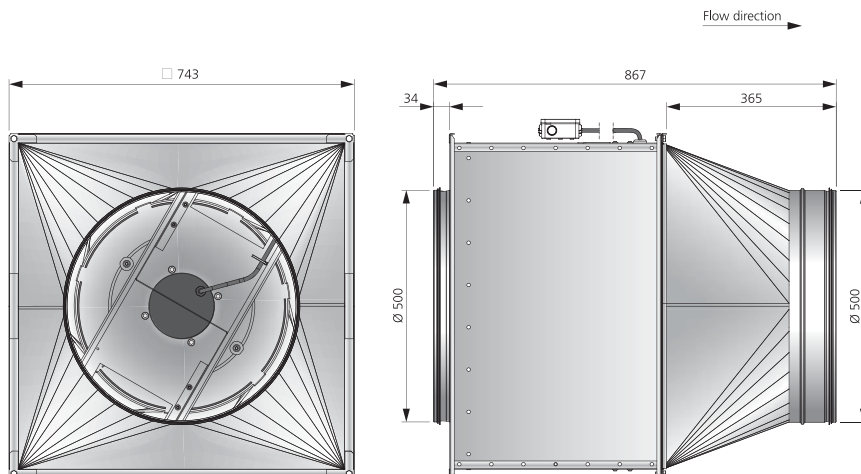


Find out the latest updated information about this product by visiting www.ostberg.com or by scanning QR code.

TRANSFORMER STEPS

1. 80 V 2. 110 V 3. 135 V 4. 165 V 5. 230 V

DIMENSIONS (mm)



NON INSULATED DUCT FAN WITH CIRCULAR CONNECTIONS

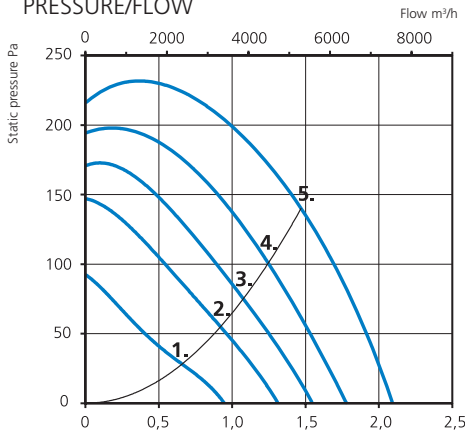
BFC 500 B3 ErP

7460408

- Duct fan with circular connections.
- High capacity and very good efficiency.
- Operational in both 50 and 60 Hz.
- Impeller with backward curved blades.
- The external rotor motor has maintenance-free sealed ball-bearings.
- Integrated motor protection.
- Junction box has enclosure class IP 54.
- For speed control a transformer or electric speed controller can be connected.
- Fan housing is manufactured from galvanized sheet steel.
- The fan is intended to be installed in a duct system.
- A duct connected fan can be installed outside or in damp environments.
- Easy installation in any position.



PRESSURE/FLOW



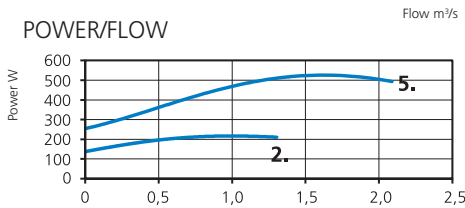
TECHNICAL DATA

| | |
|-------------------------------------|------------|
| Voltage | 400 V |
| Frequency | 50 Hz |
| Phase | 3 ~ |
| Current | 1.35 A |
| Power | 528 W |
| Speed | 910 r.p.m. |
| Capacitor | |
| Max. temp of transported air | 60 °C |
| Sound pressure level, 3 m | 47 dB(A) |
| Weight | 51.2 kg |
| Wiring diagram | 4040004 |

ACCESSORIES

- Mounting clamp MK 500
- Safety grille BSV 500
- Back draught shutter RSK 500
- Louvre shutter VK 500
- Transformer controller VRTT 2
- Transformer controller VRDT 2

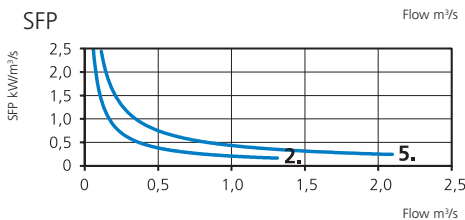
POWER/FLOW



SOUND DATA

| | L_{wa} tot dB (A) | 63 | 125 | 250 | 500 | 1K | 2K | 4K | 8K |
|----------------------------|---------------------|----|-----|-----|-----|----|----|----|----|
| 5.Surrounding 400 V | 54 | 35 | 44 | 52 | 45 | 46 | 39 | 34 | 30 |
| 5.Outlet 400 V | 76 | 66 | 68 | 64 | 64 | 71 | 68 | 63 | 57 |
| 5.Inlet 400 V | 73 | 52 | 65 | 64 | 63 | 67 | 68 | 63 | 54 |
| 4.Inlet 240 V | 69 | 50 | 64 | 60 | 59 | 62 | 61 | 56 | 45 |
| 3.Inlet 185 V | 64 | 51 | 55 | 55 | 55 | 58 | 56 | 53 | 39 |
| 2.Inlet 145 V | 60 | 47 | 51 | 51 | 50 | 54 | 52 | 49 | 33 |
| 1.Inlet 95 V | 50 | 42 | 43 | 41 | 40 | 43 | 44 | 29 | 20 |

SFP



TRANSFORMER STEPS

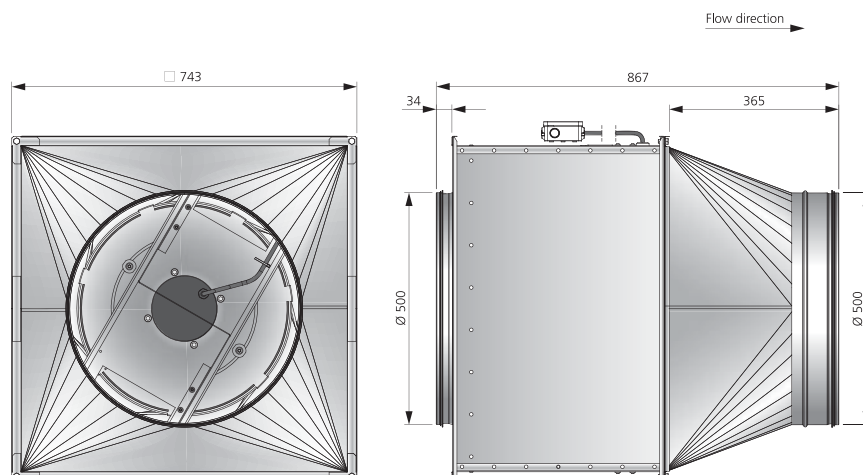
1. 95 V 2. 145 V 3. 185 V 4. 240 V 5. 400 V

MORE INFORMATION



Find out the latest updated information about this product by visiting www.ostberg.com or by scanning QR code.

DIMENSIONS (mm)





- Duct fan with circular connections.
- High capacity and very good efficiency.
- Operational in both 50 and 60 Hz.
- Impeller with backward curved blades.
- The external rotor motor has maintenance-free sealed ball-bearings.
- Integrated motor protection.
- Junction box has enclosure class IP 54.

- For speed control a transformer or electric speed controller can be connected.
- Fan housing is manufactured from galvanized sheet steel.
- The fan is intended to be installed in a duct system.
- A duct connected fan can be installed outside or in damp environments.
- Easy installation in any position.

ACCESSORIES

- Mounting clamp MK 500
- Safety grille BSV 500
- Back draught shutter RSK 500
- Louvre shutter VK 500
- Transformer controller VRTT 4
- Transformer controller VRDT 4

TECHNICAL DATA

| | |
|-------------------------------------|-------------|
| Voltage | 400 V |
| Frequency | 50 Hz |
| Phase | 3 ~ |
| Current | 2.82 A |
| Power | 1390 W |
| Speed | 1270 r.p.m. |
| Capacitor | |
| Max. temp of transported air | 60 °C |
| Sound pressure level, 3 m | 57 dB(A) |
| Weight | 55 kg |
| Wiring diagram | 4040004 |

SOUND DATA

| | L _{wa} tot dB (A) | 63 | 125 | 250 | 500 | 1K | 2K | 4K | 8K |
|----------------------------|----------------------------|----|-----|-----|-----|----|----|----|----|
| 5.Surrounding 400 V | 64 | 44 | 51 | 62 | 54 | 52 | 47 | 42 | 37 |
| 5.Outlet 400 V | 84 | 67 | 73 | 74 | 75 | 80 | 77 | 73 | 68 |
| 5.Inlet 400 V | 80 | 59 | 70 | 71 | 73 | 75 | 74 | 69 | 63 |
| 4.Inlet 240 V | 73 | 54 | 65 | 64 | 65 | 67 | 65 | 61 | 54 |
| 3.Inlet 185 V | 70 | 51 | 63 | 60 | 65 | 62 | 60 | 57 | 46 |
| 2.Inlet 145 V | 62 | 53 | 54 | 53 | 53 | 55 | 54 | 52 | 37 |
| 1.Inlet 95 V | 55 | 51 | 47 | 43 | 43 | 45 | 49 | 34 | 29 |

MORE INFORMATION

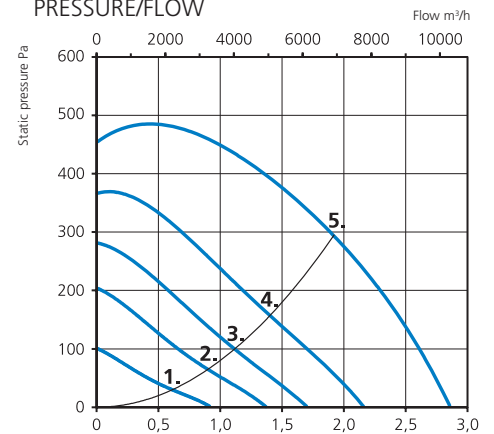


Find out the latest updated information about this product by visiting www.ostberg.com or by scanning QR code.

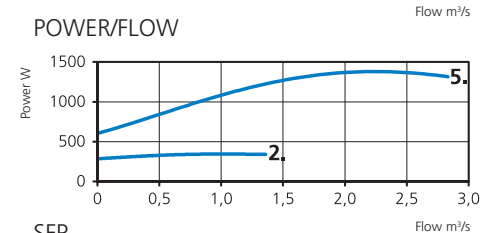
TRANSFORMER STEPS

1. 95 V 2. 145 V 3. 185 V 4. 240 V 5. 400 V

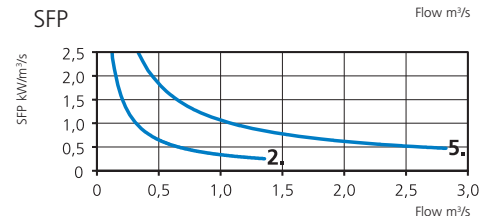
PRESSURE/FLOW



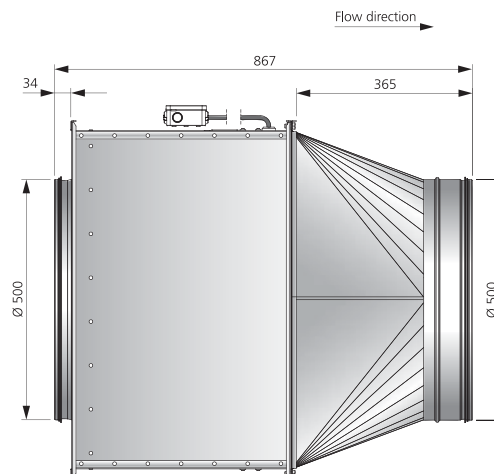
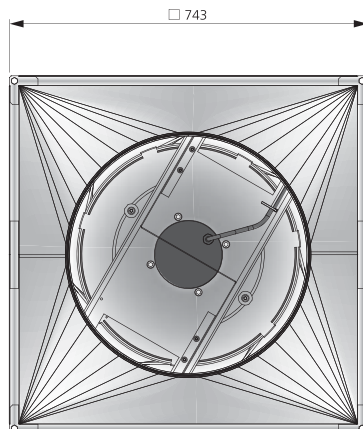
POWER/FLOW



SFP



DIMENSIONS (mm)



NON INSULATED DUCT FAN WITH CIRCULAR CONNECTIONS

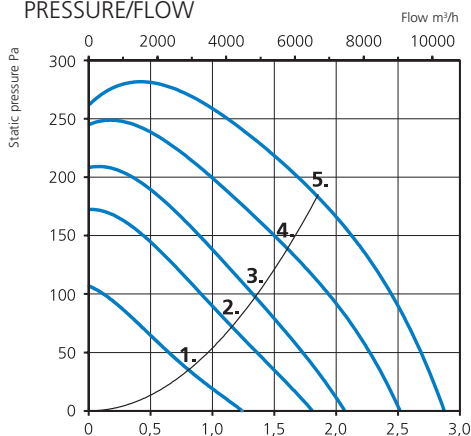
BFC 630 A3 ErP

7460412

- Duct fan with circular connections.
- High capacity and very good efficiency.
- Operational in both 50 and 60 Hz.
- Impeller with backward curved blades.
- The external rotor motor has maintenance-free sealed ball-bearings.
- Integrated motor protection.
- Junction box has enclosure class IP 54.
- For speed control a transformer or electric speed controller can be connected.
- Fan housing is manufactured from galvanized sheet steel.
- The fan is intended to be installed in a duct system.
- A duct connected fan can be installed outside or in damp environments.
- Easy installation in any position.



PRESSURE/FLOW



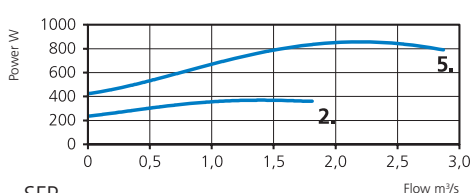
TECHNICAL DATA

| | |
|-------------------------------------|------------|
| Voltage | 400 V |
| Frequency | 50 Hz |
| Phase | 3 ~ |
| Current | 2.17 A |
| Power | 854 W |
| Speed | 920 r.p.m. |
| Capacitor | |
| Max. temp of transported air | 60 °C |
| Sound pressure level, 3 m | 56 dB(A) |
| Weight | 59.3 kg |
| Wiring diagram | 4040004 |

ACCESSORIES

- Safety grille BSV 630
- Back draught shutter RSK 630
- Louvre shutter VK 630
- Transformer controller VRTT 4
- Transformer controller VRDT 4

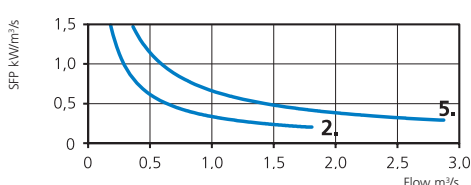
POWER/FLOW



SOUND DATA

| | L_{WA} tot dB (A) | 63 | 125 | 250 | 500 | 1K | 2K | 4K | 8K |
|----------------------------|---------------------|----|-----|-----|-----|----|----|----|----|
| 5.Surrounding 400 V | 63 | 42 | 49 | 62 | 50 | 50 | 42 | 34 | 30 |
| 5.Outlet 400 V | 78 | 63 | 72 | 69 | 70 | 73 | 69 | 64 | 59 |
| 5.Inlet 400 V | 75 | 54 | 65 | 67 | 66 | 71 | 68 | 64 | 59 |
| 4.Inlet 240 V | 72 | 52 | 65 | 63 | 63 | 67 | 63 | 58 | 53 |
| 3.Inlet 185 V | 68 | 54 | 57 | 58 | 59 | 64 | 60 | 56 | 47 |
| 2.Inlet 145 V | 64 | 50 | 53 | 54 | 56 | 60 | 55 | 53 | 42 |
| 1.Inlet 95 V | 55 | 45 | 47 | 45 | 47 | 51 | 47 | 37 | 29 |

SFP



TRANSFORMER STEPS

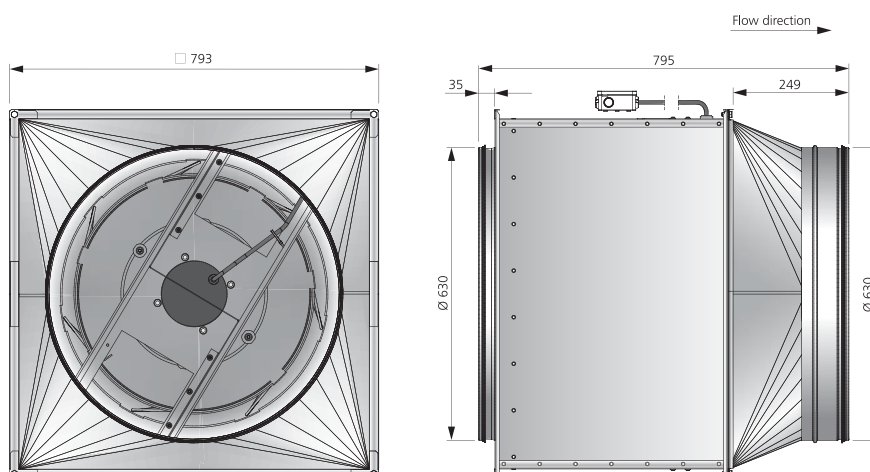
1. 95 V 2. 145 V 3. 185 V 4. 240 V 5. 400 V

MORE INFORMATION



Find out the latest updated information about this product by visiting www.ostberg.com or by scanning QR code.

DIMENSIONS (mm)





- Duct fan with circular connections.
- High capacity and very good efficiency.
- Impeller with backward curved blades.
- The external rotor motor has maintenance-free sealed ball-bearings.
- Integrated motor protection.
- Junction box has enclosure class IP 54.

- For speed control a transformer or electric speed controller can be connected.
- Fan housing is manufactured from galvanized sheet steel.
- The fan is intended to be installed in a duct system.
- A duct connected fan can be installed outside or in damp environments.
- Easy installation in any position.

ACCESSORIES

- Safety grille BSV 630
- Back draught shutter RSK 630
- Louvre shutter VK 630
- Transformer controller VRTT 4
- Transformer controller VRDT 4

TECHNICAL DATA

| | |
|-------------------------------------|------------|
| Voltage | 400 V |
| Frequency | 50 Hz |
| Phase | 3 ~ |
| Current | 3.55 A |
| Power | 1460 W |
| Speed | 920 r.p.m. |
| Capacitor | |
| Max. temp of transported air | 60 °C |
| Sound pressure level, 3 m | 59 dB(A) |
| Weight | 73.4 kg |
| Wiring diagram | 4040004 |

SOUND DATA

| | L_{wa} tot dB (A) | 63 | 125 | 250 | 500 | 1K | 2K | 4K | 8K |
|----------------------------|---------------------|----|-----|-----|-----|----|----|----|----|
| 5.Surrounding 400 V | 66 | 47 | 51 | 65 | 59 | 55 | 50 | 44 | 36 |
| 5.Outlet 400 V | 85 | 73 | 78 | 78 | 79 | 78 | 74 | 69 | 60 |
| 5.Inlet 400 V | 80 | 58 | 70 | 71 | 72 | 75 | 73 | 69 | 61 |
| 4.Inlet 240 V | 75 | 58 | 64 | 65 | 66 | 70 | 68 | 63 | 54 |
| 3.Inlet 185 V | 70 | 55 | 58 | 60 | 61 | 65 | 62 | 56 | 47 |
| 2.Inlet 145 V | 65 | 55 | 53 | 56 | 56 | 61 | 57 | 50 | 41 |
| 1.Inlet 95 V | 55 | 48 | 46 | 46 | 45 | 51 | 45 | 37 | 28 |

MORE INFORMATION

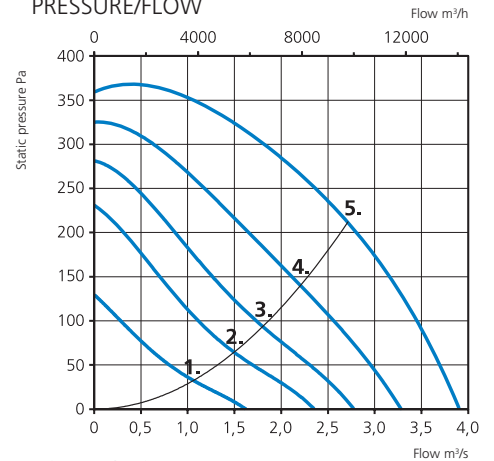


Find out the latest updated information about this product by visiting www.ostberg.com or by scanning QR code.

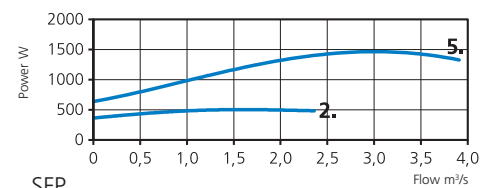
TRANSFORMER STEPS

1. 95 V 2. 145 V 3. 185 V 4. 240 V 5. 400 V

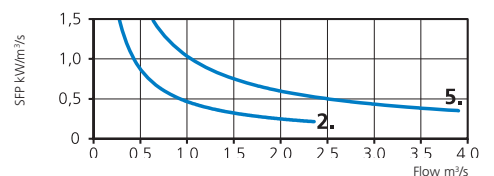
PRESSURE/FLOW



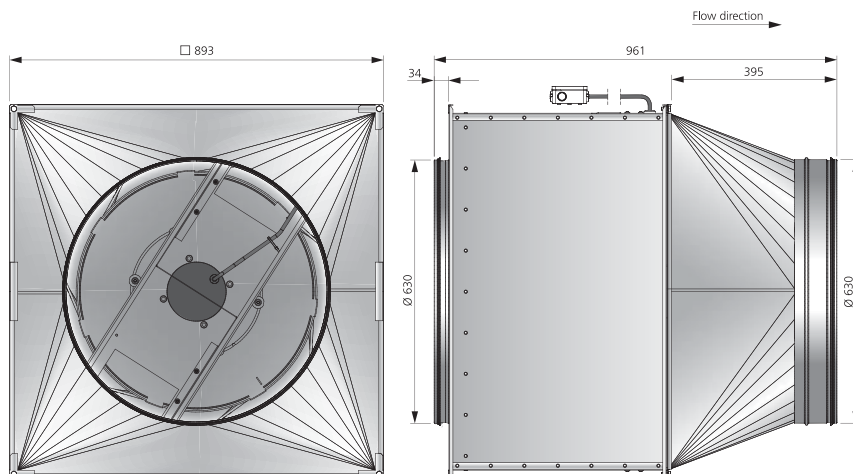
POWER/FLOW



SFP



DIMENSIONS (mm)



NON INSULATED DUCT FAN WITH CIRCULAR CONNECTIONS

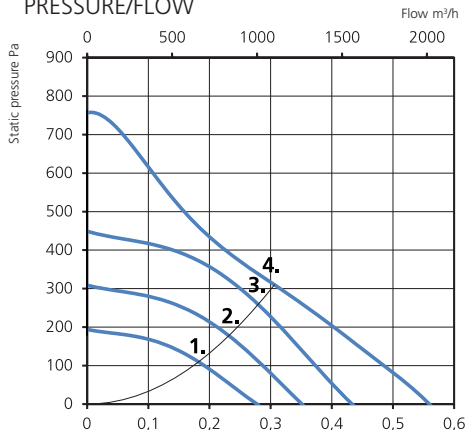
BFC 315 B1 EC

7460416

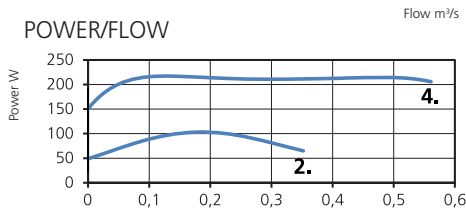
- Duct fan with circular connections.
- High capacity and very good efficiency.
- Impeller with backward curved blades.
- The external rotor motor has maintenance-free sealed ball-bearings and is very energy efficient.
- Speed controlling can be done with the built-in potentiometer, 0-10 V alt. external control.
- Integrated motor protection.
- Junction box has enclosure class IP 54.
- Fan housing is manufactured from galvanized sheet steel.
- The fan is intended to be installed in a duct system.
- A duct connected fan can be installed outside or in damp environments.
- Easy installation in any position.



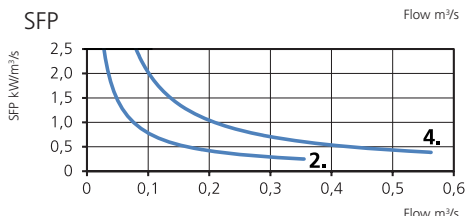
PRESSURE/FLOW



POWER/FLOW



SFP



TECHNICAL DATA

| | |
|------------------------------|-------------|
| Voltage | 230 V |
| Frequency | 50/60 Hz |
| Phase | 1 ~ |
| Current | 0.96 A |
| Power | 217 W |
| Speed | 2350 r.p.m. |
| Capacitor | |
| Max. temp of transported air | 60 °C |
| Sound pressure level, 3 m | 51 dB(A) |
| Weight | 14.6 kg |
| Wiring diagram | 4040143 |

ACCESSORIES

- Mounting clamp MK 315
- Safety grille BSV 315
- Back draught shutter RSK 315
- Louvre YG 315
- Louvre shutter VK 315
- Filterbox FLK 315
- Filterbox FLF 315
- Silencer LDC 315
- Speed controller MS EC
- Pressure regulator CALAIR-PR-230V
- Pressure regulator FKP-R

SOUND DATA

| | L_{wa} tot dB (A) | 63 | 125 | 250 | 500 | 1K | 2K | 4K | 8K |
|--------------------|---------------------|----|-----|-----|-----|----|----|----|----|
| 4.Surrounding 10 V | 58 | 31 | 48 | 47 | 55 | 48 | 48 | 43 | 37 |
| 4.Outlet 10 V | 76 | 59 | 58 | 61 | 68 | 68 | 73 | 68 | 65 |
| 4.Inlet 10 V | 76 | 56 | 59 | 63 | 68 | 65 | 72 | 69 | 66 |
| 3.Inlet 8 V | 74 | 54 | 57 | 62 | 66 | 64 | 70 | 67 | 64 |
| 2.Inlet 6 V | 69 | 52 | 53 | 59 | 60 | 58 | 65 | 62 | 57 |
| 1.Inlet 5 V | 63 | 46 | 49 | 55 | 55 | 53 | 59 | 56 | 49 |

CONTROL VOLTAGE

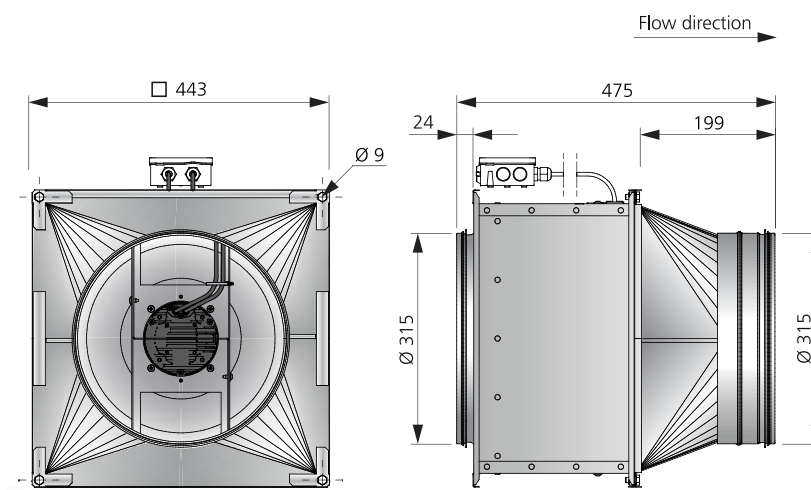
1. 5 V 2. 6 V 3. 8 V 4. 10 V

MORE INFORMATION



Find out the latest updated information about this product by visiting www.ostberg.com or by scanning QR code.

DIMENSIONS (mm)





- Duct fan with circular connections.
- High capacity and very good efficiency.
- Impeller with backward curved blades.
- The external rotor motor has maintenance-free sealed ball-bearings and is very energy efficient.
- Speed controlling can be done with the built-in potentiometer, 0-10 V alt. external control.
- Integrated motor protection.

- Junction box has enclosure class IP 54.
- Fan housing is manufactured from galvanized sheet steel.
- The fan is intended to be installed in a duct system.
- A duct connected fan can be installed outside or in damp environments.
- Easy installation in any position.

ACCESSORIES

- Mounting clamp MK 315
- Safety grille BSV 315
- Back draught shutter RSK 315
- Louvre YG 315
- Louvre shutter VK 315
- Filterbox FLK 315
- Filterbox FLF 315
- Silencer LDC 315
- Speed controller MS EC
- Pressure regulator CALAIR-PR-230V
- Pressure regulator FKP-R

TECHNICAL DATA

| | |
|-------------------------------------|-------------|
| Voltage | 230 V |
| Frequency | 50/60 Hz |
| Phase | 1 ~ |
| Current | 1.81 A |
| Power | 408 W |
| Speed | 1880 r.p.m. |
| Capacitor | |
| Max. temp of transported air | 55 °C |
| Sound pressure level, 3 m | 48 dB(A) |
| Weight | 17.5 kg |
| Wiring diagram | 4040175 |

SOUND DATA

| | L_{wa} tot dB (A) | 63 | 125 | 250 | 500 | 1K | 2K | 4K | 8K |
|---------------------------|---------------------|----|-----|-----|-----|----|----|----|----|
| 4.Surrounding 10 V | 55 | 39 | 40 | 49 | 50 | 49 | 45 | 40 | 35 |
| 4.Outlet 10 V | 78 | 67 | 65 | 73 | 68 | 70 | 71 | 67 | 64 |
| 4.Inlet 10 V | 74 | 59 | 60 | 68 | 68 | 65 | 68 | 65 | 61 |
| 3.Inlet 8 V | 70 | 54 | 57 | 63 | 64 | 61 | 64 | 60 | 57 |
| 2.Inlet 7 V | 65 | 49 | 55 | 57 | 59 | 56 | 59 | 56 | 50 |
| 1.Inlet 5 V | 57 | 41 | 49 | 50 | 50 | 48 | 50 | 50 | 37 |

MORE INFORMATION

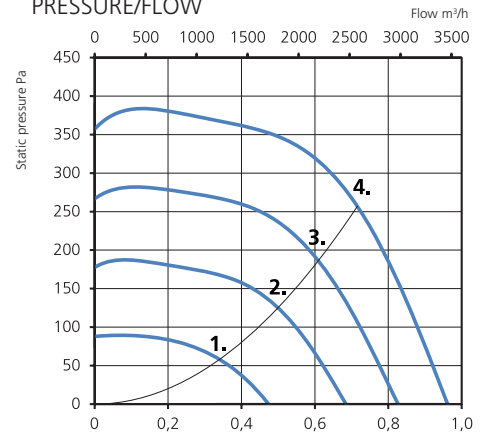


Find out the latest updated information about this product by visiting www.ostberg.com or by scanning QR code.

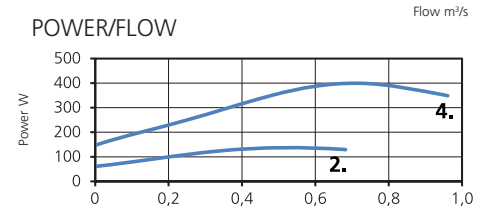
CONTROL VOLTAGE

1. 5 V 2. 7 V 3. 8 V 4. 10 V

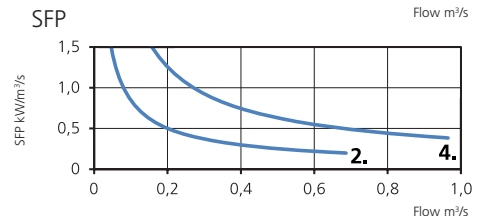
PRESSURE/FLOW



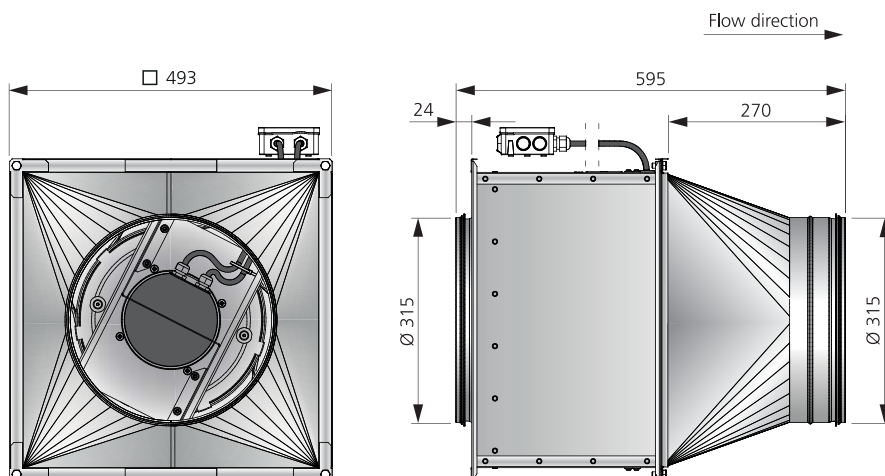
POWER/FLOW



SFP



DIMENSIONS (mm)



NON INSULATED DUCT FAN WITH CIRCULAR CONNECTIONS

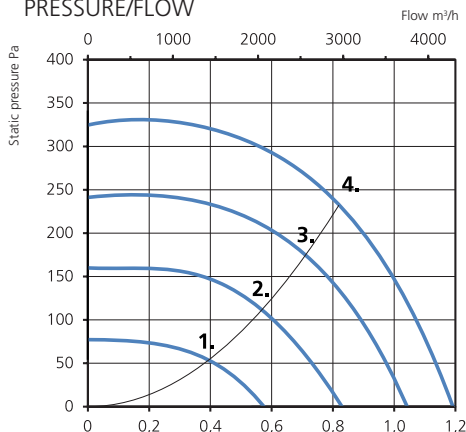
BFC 355 B1 EC

7460418

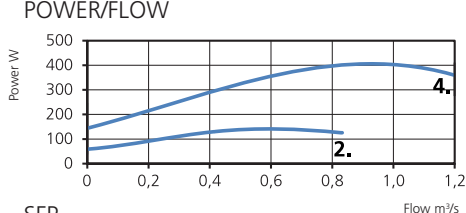
- Duct fan with circular connections.
- High capacity and very good efficiency.
- Impeller with backward curved blades.
- The external rotor motor has maintenance-free sealed ball-bearings and is very energy efficient.
- Speed controlling can be done with the built-in potentiometer, 0-10 V alt. external control.
- Integrated motor protection.
- Junction box has enclosure class IP 54.
- Fan housing is manufactured from galvanized sheet steel.
- The fan is intended to be installed in a duct system.
- A duct connected fan can be installed outside or in damp environments.
- Easy installation in any position.



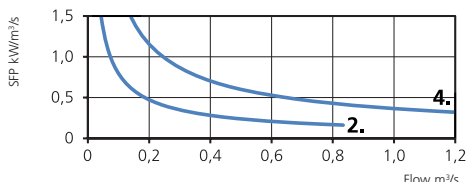
PRESSURE/FLOW



POWER/FLOW



SFP



TECHNICAL DATA

| | |
|------------------------------|-------------|
| Voltage | 230 V |
| Frequency | 50/60 Hz |
| Phase | 1 ~ |
| Current | 1.77 A |
| Power | 406 W |
| Speed | 1530 r.p.m. |
| Capacitor | |
| Max. temp of transported air | 55 °C |
| Sound pressure level, 3 m | 48 dB(A) |
| Weight | 24.1 kg |
| Wiring diagram | 4040175 |

ACCESSORIES

- Safety grille BSV 355
- Back draught shutter RSK 355
- Louvre shutter VK 355
- Speed controller MS EC
- Pressure regulator CALAIR-PR-230V
- Pressure regulator FKP-R

SOUND DATA

| | L _{wa} tot dB (A) | 63 | 125 | 250 | 500 | 1K | 2K | 4K | 8K |
|--------------------|----------------------------|----|-----|-----|-----|----|----|----|----|
| 4.Surrounding 10 V | 55 | 34 | 40 | 49 | 50 | 48 | 45 | 41 | 32 |
| 4.Outlet 10 V | 75 | 64 | 66 | 68 | 64 | 67 | 68 | 66 | 61 |
| 4.Inlet 10 V | 74 | 56 | 64 | 67 | 65 | 65 | 68 | 65 | 59 |
| 3.Inlet 8 V | 70 | 53 | 61 | 62 | 62 | 62 | 65 | 61 | 55 |
| 2.Inlet 7 V | 65 | 48 | 55 | 59 | 57 | 57 | 60 | 55 | 48 |
| 1.Inlet 5 V | 57 | 44 | 48 | 49 | 49 | 49 | 50 | 44 | 35 |

CONTROL VOLTAGE

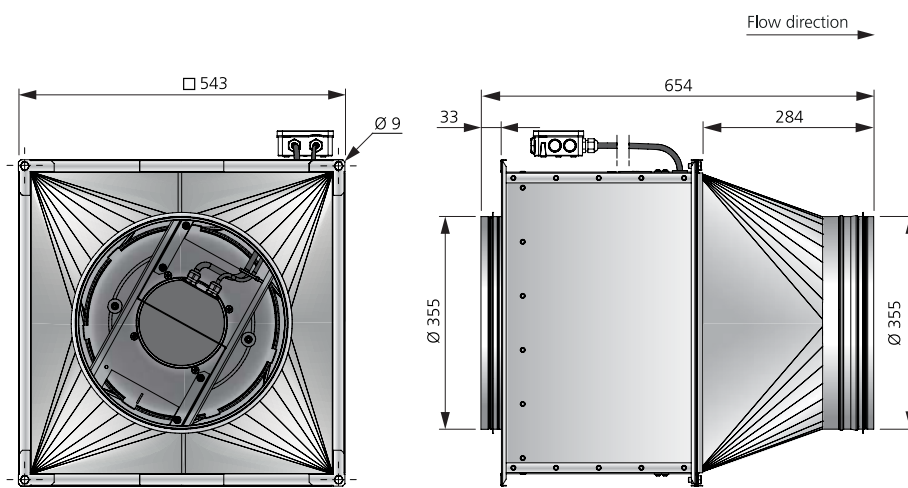
1. 5 V 2. 7 V 3. 8 V 4. 10 V

MORE INFORMATION



Find out the latest updated information about this product by visiting www.ostberg.com or by scanning QR code.

DIMENSIONS (mm)





- Duct fan with circular connections.
- High capacity and very good efficiency.
- Impeller with backward curved blades.
- The external rotor motor has maintenance-free sealed ball-bearings and is very energy efficient.
- Speed controlling can be done with the built-in potentiometer, 0-10 V alt. external control.
- Integrated motor protection.

- Junction box has enclosure class IP 54.
- Fan housing is manufactured from galvanized sheet steel.
- The fan is intended to be installed in a duct system.
- A duct connected fan can be installed outside or in damp environments.
- Easy installation in any position.

ACCESSORIES

- Safety grille BSV 355
- Back draught shutter RSK 355
- Louvre shutter VK 355
- Speed controller MS EC
- Pressure regulator CALAIR-PR-230V
- Pressure regulator FKP-R

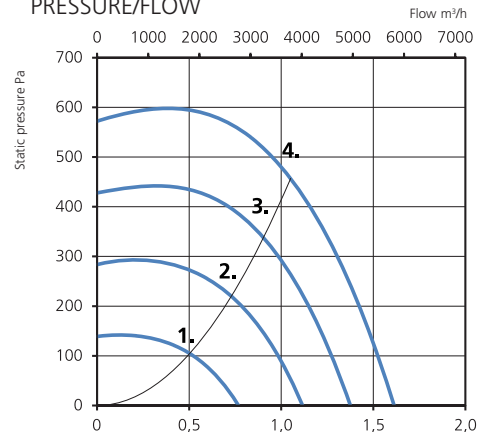
TECHNICAL DATA

| | |
|-------------------------------------|-------------|
| Voltage | 230 V |
| Frequency | 50/60 Hz |
| Phase | 1 ~ |
| Current | 4.81 A |
| Power | 1040 W |
| Speed | 2100 r.p.m. |
| Capacitor | |
| Max. temp of transported air | 55 °C |
| Sound pressure level, 3 m | 55 dB(A) |
| Weight | 24.1 kg |
| Wiring diagram | 4040145 |

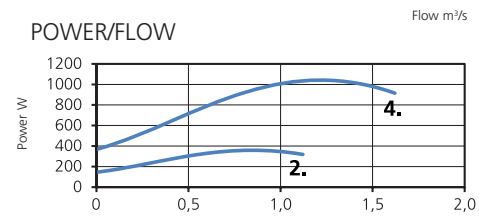
SOUND DATA

| | L_{WA} tot dB (A) | 63 | 125 | 250 | 500 | 1K | 2K | 4K | 8K |
|---------------------------|---------------------|----|-----|-----|-----|----|----|----|----|
| 4.Surrounding 10 V | 62 | 44 | 49 | 57 | 57 | 55 | 53 | 49 | 43 |
| 4.Outlet 10 V | 82 | 71 | 72 | 73 | 71 | 75 | 76 | 73 | 70 |
| 4.Inlet 10 V | 81 | 64 | 68 | 72 | 72 | 73 | 76 | 73 | 69 |
| 3.Inlet 8 V | 77 | 59 | 64 | 70 | 69 | 69 | 71 | 69 | 64 |
| 2.Inlet 7 V | 72 | 54 | 63 | 63 | 63 | 64 | 66 | 64 | 58 |
| 1.Inlet 5 V | 63 | 46 | 53 | 54 | 55 | 56 | 57 | 53 | 46 |

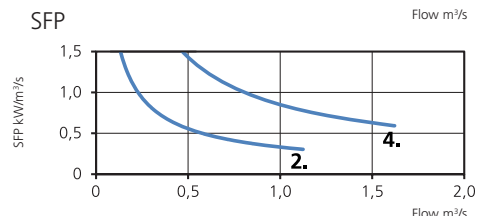
PRESSURE/FLOW



POWER/FLOW



SFP



MORE INFORMATION

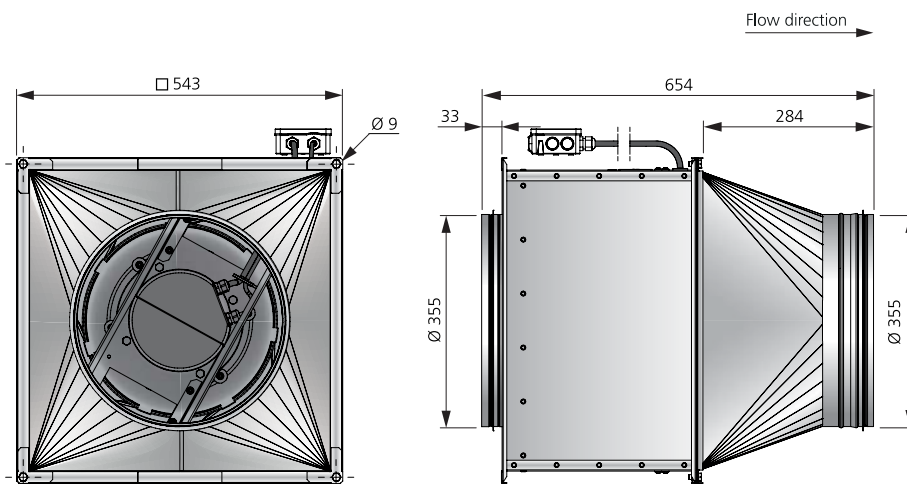


Find out the latest updated information about this product by visiting www.ostberg.com or by scanning QR code.

CONTROL VOLTAGE

1. 5 V 2. 7 V 3. 8 V 4. 10 V

DIMENSIONS (mm)



NON INSULATED DUCT FAN WITH CIRCULAR CONNECTIONS

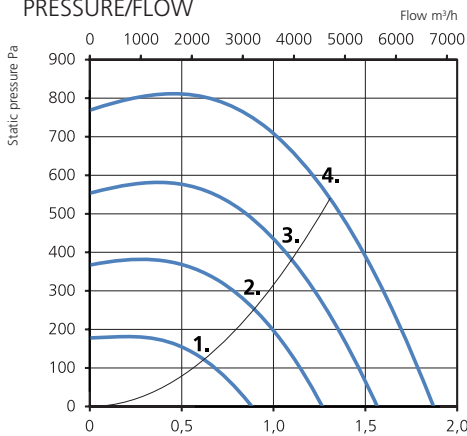
BFC 355 D3 EC

7460420

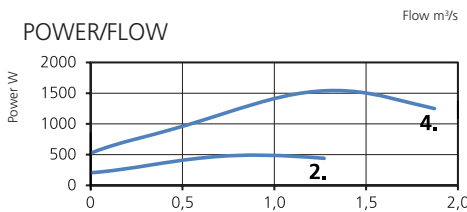
- Duct fan with circular connections.
- High capacity and very good efficiency.
- Impeller with backward curved blades.
- The external rotor motor has maintenance-free sealed ball-bearings and is very energy efficient.
- Speed controlling can be done with the built-in potentiometer, 0-10 V alt. external control.
- Integrated motor protection.
- Junction box has enclosure class IP 54.
- Fan housing is manufactured from galvanized sheet steel.
- The fan is intended to be installed in a duct system.
- A duct connected fan can be installed outside or in damp environments.
- Easy installation in any position.



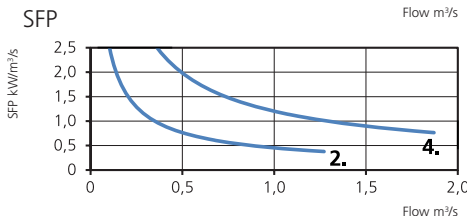
PRESSURE/FLOW



POWER/FLOW



SFP



TECHNICAL DATA

| | |
|-------------------------------------|-------------|
| Voltage | 400 V |
| Frequency | 50/60 Hz |
| Phase | 3 ~ |
| Current | 2.38 A |
| Power | 1540 W |
| Speed | 2430 r.p.m. |
| Capacitor | |
| Max. temp of transported air | 60 °C |
| Sound pressure level, 3 m | 59 dB(A) |
| Weight | 24.1 kg |
| Wiring diagram | 4040147 |

ACCESSORIES

- Safety grille BSV 355
- Back draught shutter RSK 355
- Louvre shutter VK 355
- Speed controller MS EC
- Pressure regulator CALAIR-PR-230V
- Pressure regulator FKP-R

SOUND DATA

| | L_{wa} tot dB (A) | 63 | 125 | 250 | 500 | 1K | 2K | 4K | 8K |
|---------------------------|---------------------|----|-----|-----|-----|----|----|----|----|
| 4.Surrounding 10 V | 66 | 46 | 51 | 63 | 60 | 58 | 57 | 51 | 44 |
| 4.Outlet 10 V | 87 | 76 | 77 | 77 | 75 | 79 | 81 | 77 | 74 |
| 4.Inlet 10 V | 84 | 67 | 70 | 77 | 75 | 76 | 79 | 76 | 74 |
| 3.Inlet 8 V | 81 | 64 | 67 | 72 | 72 | 73 | 76 | 72 | 69 |
| 2.Inlet 7 V | 76 | 59 | 63 | 70 | 67 | 67 | 70 | 67 | 62 |
| 1.Inlet 5 V | 67 | 49 | 57 | 59 | 59 | 59 | 61 | 57 | 50 |

CONTROL VOLTAGE

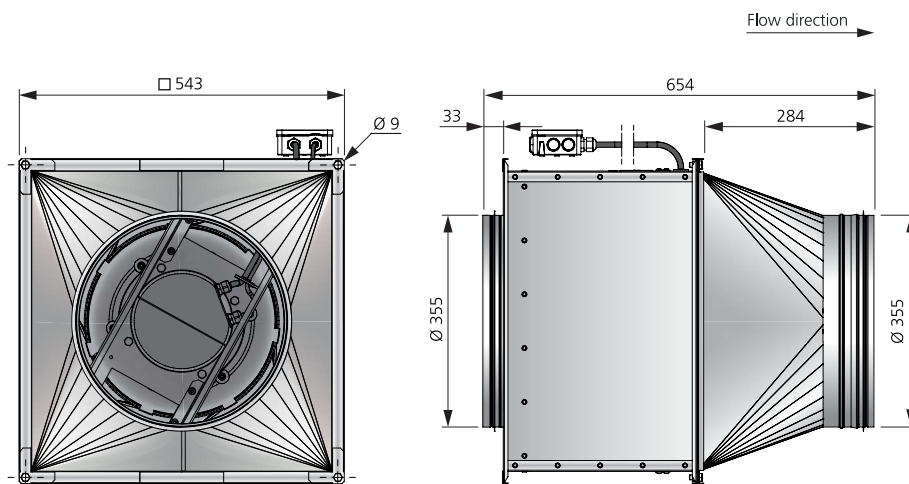
1. 5 V 2. 7 V 3. 8 V 4. 10 V

MORE INFORMATION



Find out the latest updated information about this product by visiting www.ostberg.com or by scanning QR code.

DIMENSIONS (mm)





- Duct fan with circular connections.
- High capacity and very good efficiency.
- Impeller with backward curved blades.
- The external rotor motor has maintenance-free sealed ball-bearings and is very energy efficient.
- Speed controlling can be done with the built-in potentiometer, 0-10 V alt. external control.
- Integrated motor protection.

- Junction box has enclosure class IP 54.
- Fan housing is manufactured from galvanized sheet steel.
- The fan is intended to be installed in a duct system.
- A duct connected fan can be installed outside or in damp environments.
- Easy installation in any position.

ACCESSORIES

- Mounting clamp MK 400
- Safety grille BSV 400
- Back draught shutter RSK 400
- Louvre shutter VK 400
- Filterbox FLK 400
- Filterbox FLF 400
- Speed controller MS EC
- Pressure regulator CALAIR-PR-230V
- Pressure regulator FKP-R

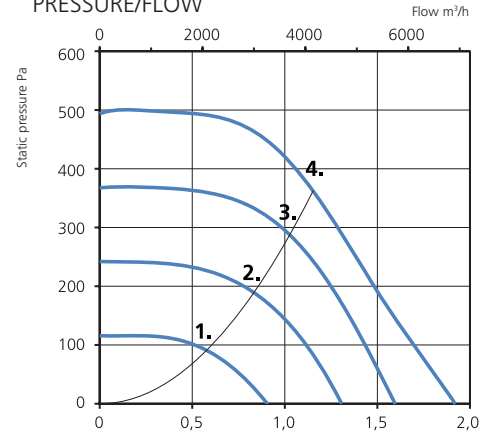
TECHNICAL DATA

| | |
|-------------------------------------|-------------|
| Voltage | 230 V |
| Frequency | 50/60 Hz |
| Phase | 1 ~ |
| Current | 4.04 A |
| Power | 896 W |
| Speed | 1640 r.p.m. |
| Capacitor | |
| Max. temp of transported air | 55 °C |
| Sound pressure level, 3 m | 54 dB(A) |
| Weight | 35.9 kg |
| Wiring diagram | 4040147 |

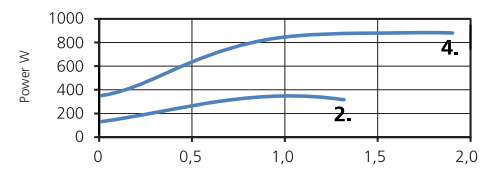
SOUND DATA

| | L_{wa} tot dB (A) | 63 | 125 | 250 | 500 | 1K | 2K | 4K | 8K |
|---------------------------|---------------------|----|-----|-----|-----|----|----|----|----|
| 4.Surrounding 10 V | 61 | 43 | 43 | 54 | 56 | 53 | 52 | 49 | 40 |
| 4.Outlet 10 V | 85 | 72 | 74 | 75 | 76 | 79 | 78 | 74 | 68 |
| 4.Inlet 10 V | 83 | 59 | 66 | 74 | 72 | 77 | 78 | 76 | 69 |
| 3.Inlet 8 V | 78 | 57 | 66 | 68 | 68 | 72 | 73 | 70 | 63 |
| 2.Inlet 7 V | 70 | 53 | 61 | 62 | 62 | 64 | 64 | 60 | 52 |
| 1.Inlet 5 V | 65 | 47 | 57 | 56 | 56 | 59 | 60 | 54 | 45 |

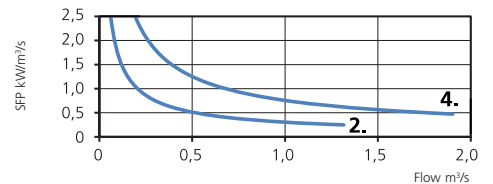
PRESSURE/FLOW



POWER/FLOW



SFP



MORE INFORMATION

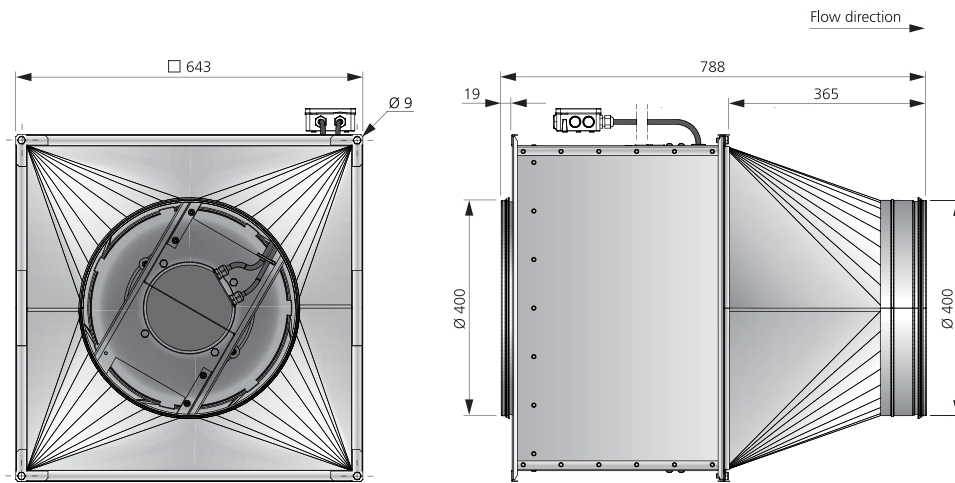


Find out the latest updated information about this product by visiting www.ostberg.com or by scanning QR code.

CONTROL VOLTAGE

1. 5 V 2. 7 V 3. 8 V 4. 10 V

DIMENSIONS (mm)

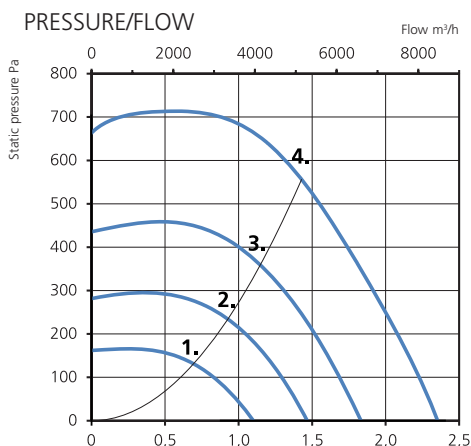


NON INSULATED DUCT FAN WITH CIRCULAR CONNECTIONS

BFC 400 B3 EC

7460422

- Duct fan with circular connections.
- High capacity and very good efficiency.
- Impeller with backward curved blades.
- The external rotor motor has maintenance-free sealed ball-bearings and is very energy efficient.
- Speed controlling can be done with the built-in potentiometer, 0-10 V alt. external control.
- Integrated motor protection.
- Junction box has enclosure class IP 54.
- Fan housing is manufactured from galvanized sheet steel.
- The fan is intended to be installed in a duct system.
- A duct connected fan can be installed outside or in damp environments.
- Easy installation in any position.

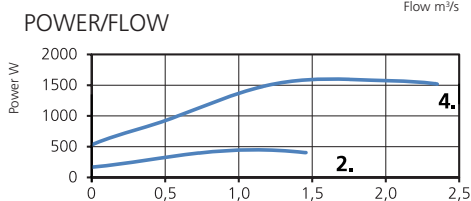


TECHNICAL DATA

| | |
|-------------------------------------|-------------|
| Voltage | 400 V |
| Frequency | 50/60 Hz |
| Phase | 3 ~ |
| Current | 2.45 A |
| Power | 1590 W |
| Speed | 1990 r.p.m. |
| Capacitor | |
| Max. temp of transported air | 50 °C |
| Sound pressure level, 3 m | 58 dB(A) |
| Weight | 35.0 kg |
| Wiring diagram | 4040147 |

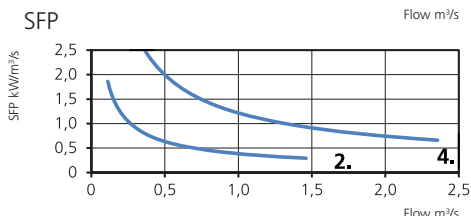
ACCESSORIES

- Mounting clamp MK 400
- Safety grille BSV 400
- Back draught shutter RSK 400
- Louvre shutter VK 400
- Filterbox FLK 400
- Filterbox FLF 400
- Speed controller MS EC
- Pressure regulator CALAIR-PR-230V
- Pressure regulator FKP-R



SOUND DATA

| | L _{WA} tot dB (A) | 63 | 125 | 250 | 500 | 1K | 2K | 4K | 8K |
|---------------------------|----------------------------|----|-----|-----|-----|----|----|----|----|
| 4.Surrounding 10 V | 65 | 47 | 47 | 60 | 58 | 57 | 56 | 54 | 47 |
| 4.Outlet 10 V | 89 | 76 | 78 | 79 | 76 | 83 | 83 | 80 | 74 |
| 4.Inlet 10 V | 88 | 65 | 70 | 77 | 76 | 81 | 83 | 82 | 76 |
| 3.Inlet 8 V | 83 | 59 | 67 | 74 | 72 | 77 | 78 | 76 | 68 |
| 2.Inlet 6 V | 77 | 55 | 64 | 66 | 67 | 71 | 72 | 69 | 61 |
| 1.Inlet 5 V | 70 | 49 | 57 | 59 | 60 | 64 | 65 | 60 | 51 |



CONTROL VOLTAGE

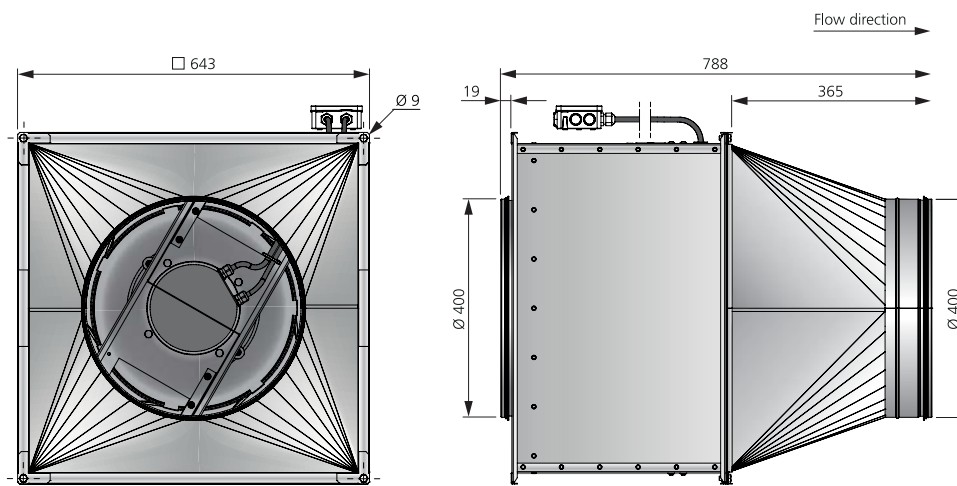
1. 5 V 2. 6 V 3. 8 V 4. 10 V

MORE INFORMATION



Find out the latest updated information about this product by visiting www.ostberg.com or by scanning QR code.

DIMENSIONS (mm)





- Duct fan with circular connections.
- High capacity and very good efficiency.
- Impeller with backward curved blades.
- The external rotor motor has maintenance-free sealed ball-bearings and is very energy efficient.
- Speed controlling can be done with the built-in potentiometer, 0-10 V alt. external control.
- Integrated motor protection.

- Junction box has enclosure class IP 54.
- Fan housing is manufactured from galvanized sheet steel.
- The fan is intended to be installed in a duct system.
- A duct connected fan can be installed outside or in damp environments.
- Easy installation in any position.

ACCESSORIES

- Mounting clamp MK 500
- Safety grille BSV 500
- Back draught shutter RSK 500
- Louvre shutter VK 500
- Speed controller MS EC
- Pressure regulator CALAIR-PR-230V
- Pressure regulator FKP-R

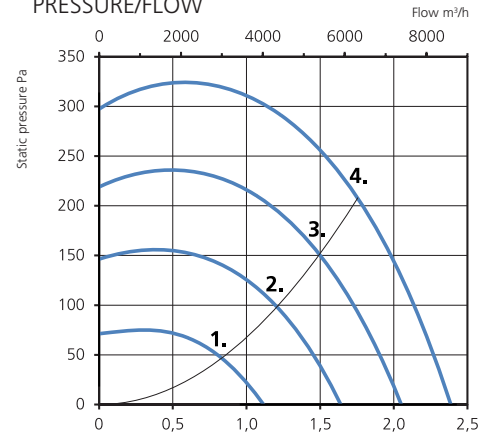
TECHNICAL DATA

| | |
|-------------------------------------|-------------|
| Voltage | 230 V |
| Frequency | 50/60 Hz |
| Phase | 1 ~ |
| Current | 3.62 A |
| Power | 784 W |
| Speed | 1120 r.p.m. |
| Capacitor | |
| Max. temp of transported air | 55 °C |
| Sound pressure level, 3 m | 50 dB(A) |
| Weight | 58.9 kg |
| Wiring diagram | 4040145 |

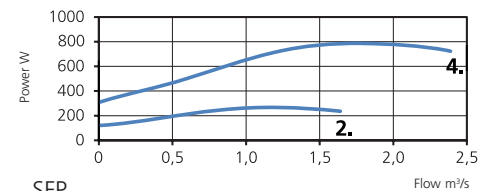
SOUND DATA

| | L_{WA} tot dB (A) | 63 | 125 | 250 | 500 | 1K | 2K | 4K | 8K |
|---------------------------|---------------------|----|-----|-----|-----|----|----|----|----|
| 4.Surrounding 10 V | 57 | 37 | 46 | 53 | 50 | 50 | 44 | 39 | 34 |
| 4.Outlet 10 V | 83 | 72 | 74 | 70 | 72 | 79 | 75 | 69 | 65 |
| 4.Inlet 10 V | 78 | 62 | 69 | 68 | 69 | 71 | 71 | 66 | 61 |
| 3.Inlet 8 V | 73 | 57 | 65 | 64 | 65 | 67 | 67 | 62 | 55 |
| 2.Inlet 7 V | 69 | 53 | 61 | 60 | 60 | 62 | 61 | 58 | 46 |
| 1.Inlet 5 V | 60 | 49 | 49 | 50 | 52 | 54 | 54 | 46 | 33 |

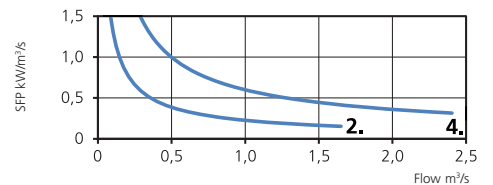
PRESSURE/FLOW



POWER/FLOW



SFP



MORE INFORMATION

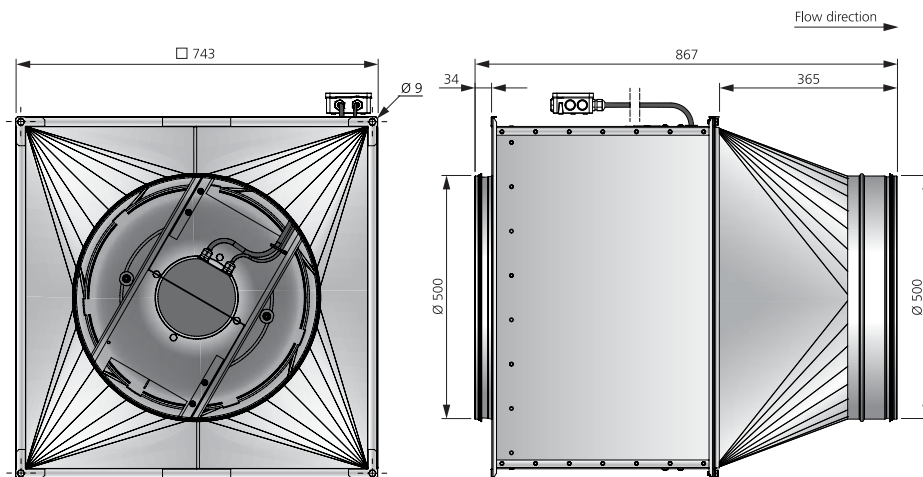


Find out the latest updated information about this product by visiting www.ostberg.com or by scanning QR code.

CONTROL VOLTAGE

1. 5 V 2. 7 V 3. 8 V 4. 10 V

DIMENSIONS (mm)



NON INSULATED DUCT FAN WITH CIRCULAR CONNECTIONS

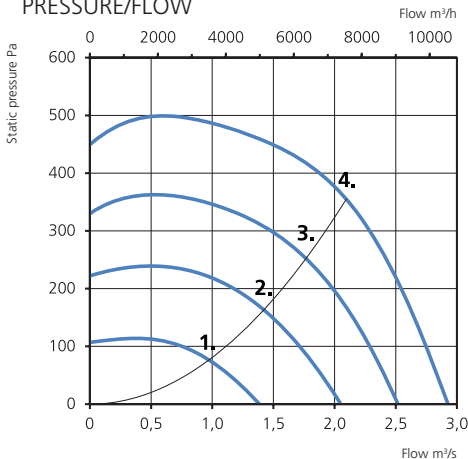
BFC 500 B3 EC

7460426

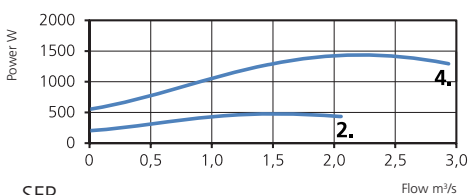
- Duct fan with circular connections.
- High capacity and very good efficiency.
- Impeller with backward curved blades.
- The external rotor motor has maintenance-free sealed ball-bearings and is very energy efficient.
- Speed controlling can be done with the built-in potentiometer, 0-10 V alt. external control.
- Integrated motor protection.
- Junction box has enclosure class IP 54.
- Fan housing is manufactured from galvanized sheet steel.
- The fan is intended to be installed in a duct system.
- A duct connected fan can be installed outside or in damp environments.
- Easy installation in any position.



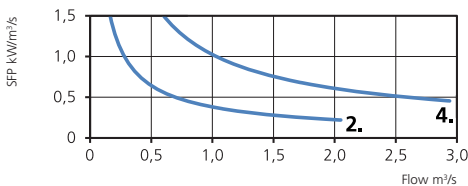
PRESSURE/FLOW



POWER/FLOW



SFP



TECHNICAL DATA

| | |
|------------------------------|-------------|
| Voltage | 400 V |
| Frequency | 50/60 Hz |
| Phase | 3 ~ |
| Current | 2.24 A |
| Power | 1450 W |
| Speed | 1380 r.p.m. |
| Capacitor | |
| Max. temp of transported air | 40 °C |
| Sound pressure level, 3 m | 54 dB(A) |
| Weight | 51.2 kg |
| Wiring diagram | 4040147 |

ACCESSORIES

- Mounting clamp MK 500
- Safety grille BSV 500
- Back draught shutter RSK 500
- Louvre shutter VK 500
- Speed controller MS EC
- Pressure regulator CALAIR-PR-230V
- Pressure regulator FKP-R

SOUND DATA

| | L _{WA} tot dB (A) | 63 | 125 | 250 | 500 | 1K | 2K | 4K | 8K |
|--------------------|----------------------------|----|-----|-----|-----|----|----|----|----|
| 4.Surrounding 10 V | 61 | 43 | 47 | 58 | 55 | 53 | 48 | 44 | 39 |
| 4.Outlet 10 V | 88 | 74 | 76 | 75 | 78 | 85 | 81 | 78 | 71 |
| 4.Inlet 10 V | 83 | 66 | 73 | 74 | 74 | 77 | 76 | 72 | 66 |
| 3.Inlet 8 V | 78 | 61 | 69 | 69 | 70 | 72 | 71 | 68 | 61 |
| 2.Inlet 7 V | 72 | 56 | 65 | 63 | 64 | 66 | 66 | 62 | 53 |
| 1.Inlet 5 V | 63 | 50 | 53 | 54 | 55 | 58 | 55 | 53 | 39 |

CONTROL VOLTAGE

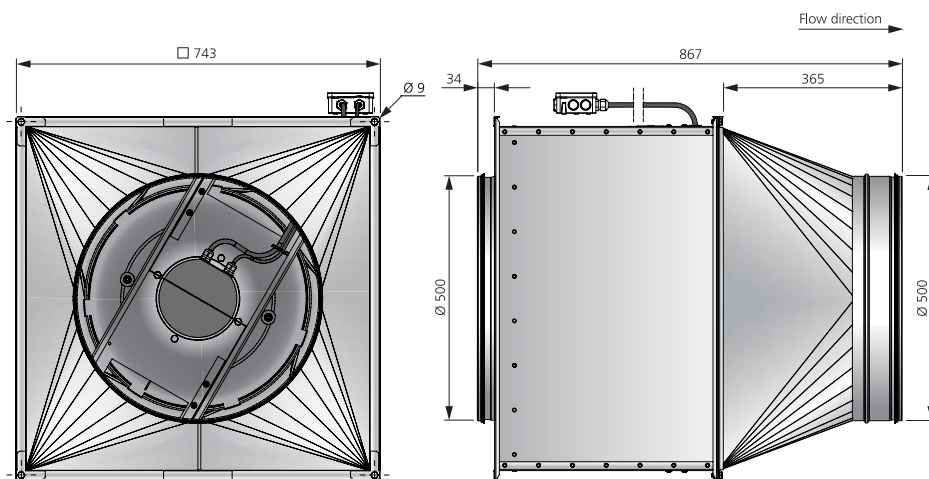
1. 5 V 2. 7 V 3. 8 V 4. 10 V

MORE INFORMATION



Find out the latest updated information about this product by visiting www.ostberg.com or by scanning QR code.

DIMENSIONS (mm)





- Duct fan with circular connections.
- High capacity and very good efficiency.
- Impeller with backward curved blades.
- The external rotor motor has maintenance-free sealed ball-bearings and is very energy efficient.
- Speed controlling can be done with the built-in potentiometer, 0-10 V alt. external control.
- Integrated motor protection.

- Junction box has enclosure class IP 54.
- Fan housing is manufactured from galvanized sheet steel.
- The fan is intended to be installed in a duct system.
- A duct connected fan can be installed outside or in damp environments.
- Easy installation in any position.

ACCESSORIES

- Mounting clamp MK 500
- Safety grille BSV 500
- Back draught shutter RSK 500
- Louvre shutter VK 500
- Speed controller MS EC
- Pressure regulator CALAIR-PR-230V
- Pressure regulator FKP-R

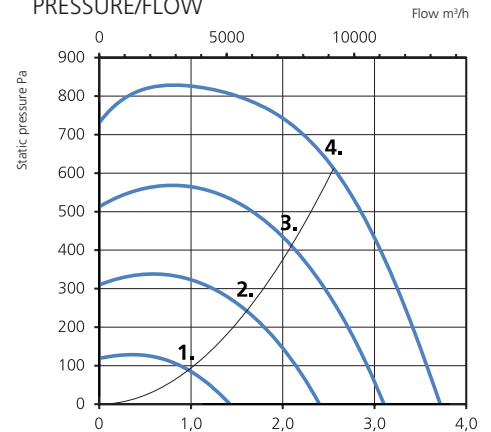
TECHNICAL DATA

| | |
|-------------------------------------|-------------|
| Voltage | 400 V |
| Frequency | 50/60 Hz |
| Phase | 3 ~ |
| Current | 4.54 A |
| Power | 2940 W |
| Speed | 1770 r.p.m. |
| Capacitor | |
| Max. temp of transported air | 60 °C |
| Sound pressure level, 3 m | 63 dB(A) |
| Weight | 55.0 kg |
| Wiring diagram | 4040147 |

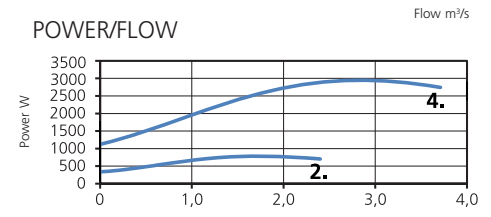
SOUND DATA

| | L _{WA} tot dB (A) | 63 | 125 | 250 | 500 | 1K | 2K | 4K | 8K |
|---------------------------|----------------------------|----|-----|-----|-----|----|----|----|----|
| 4.Surrounding 10 V | 70 | 52 | 52 | 68 | 62 | 60 | 55 | 51 | 46 |
| 4.Outlet 10 V | 95 | 78 | 83 | 81 | 84 | 92 | 88 | 83 | 75 |
| 4.Inlet 10 V | 89 | 72 | 75 | 80 | 81 | 84 | 83 | 79 | 73 |
| 3.Inlet 8 V | 84 | 66 | 72 | 74 | 76 | 79 | 77 | 73 | 67 |
| 2.Inlet 7 V | 77 | 59 | 67 | 67 | 69 | 71 | 70 | 66 | 60 |
| 1.Inlet 5 V | 63 | 49 | 53 | 54 | 55 | 58 | 56 | 54 | 41 |

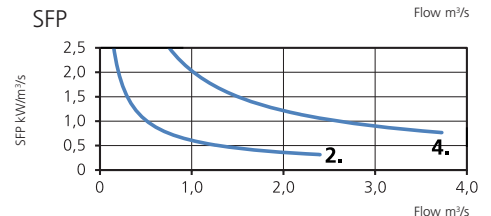
PRESSURE/FLOW



POWER/FLOW



SFP



MORE INFORMATION

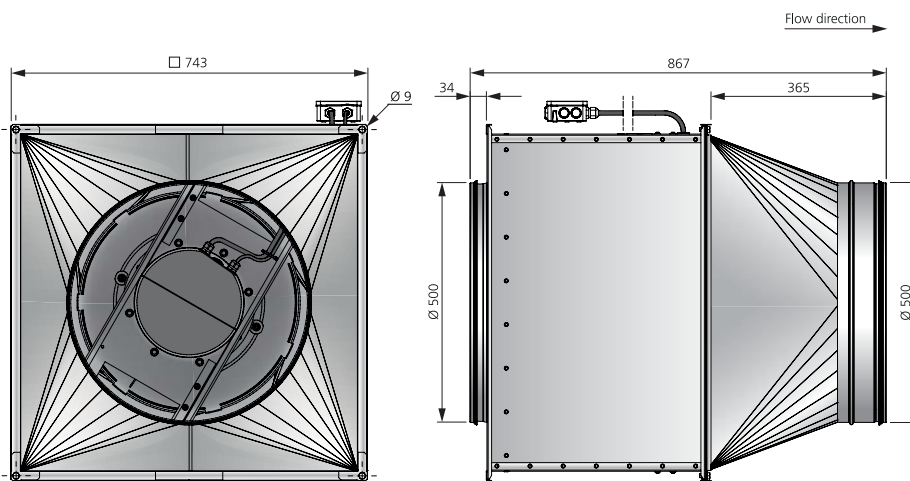


Find out the latest updated information about this product by visiting www.ostberg.com or by scanning QR code.

CONTROL VOLTAGE

1. 5 V 2. 7 V 3. 8 V 4. 10 V

DIMENSIONS (mm)



NON INSULATED DUCT FAN WITH CIRCULAR CONNECTIONS

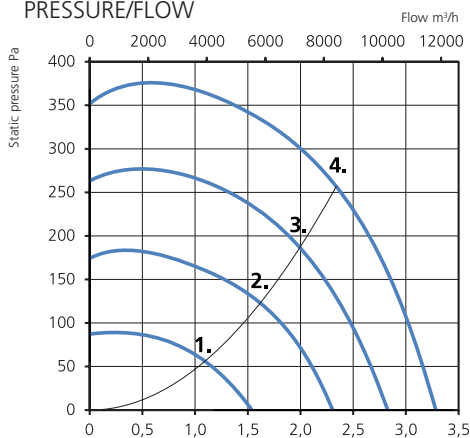
BFC 630 A3 EC

7460428

- Duct fan with circular connections.
- High capacity and very good efficiency.
- Impeller with backward curved blades.
- The external rotor motor has maintenance-free sealed ball-bearings and is very energy efficient.
- Speed controlling can be done with the built-in potentiometer, 0-10 V alt. external control.
- Integrated motor protection.
- Junction box has enclosure class IP 54.
- Fan housing is manufactured from galvanized sheet steel.
- The fan is intended to be installed in a duct system.
- A duct connected fan can be installed outside or in damp environments.
- Easy installation in any position.



PRESSURE/FLOW



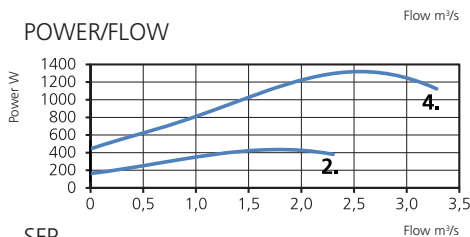
TECHNICAL DATA

| | |
|------------------------------|-------------|
| Voltage | 400 V |
| Frequency | 50/60 Hz |
| Phase | 3 ~ |
| Current | 2.05 A |
| Power | 1320 W |
| Speed | 1080 r.p.m. |
| Capacitor | |
| Max. temp of transported air | 40 °C |
| Sound pressure level, 3 m | 55 dB(A) |
| Weight | 59.3 kg |
| Wiring diagram | 4040147 |

ACCESSORIES

- Safety grille BSV 630
- Back draught shutter RSK 630
- Louvre shutter VK 630
- Speed controller MS EC
- Pressure regulator CALAIR-PR-230V
- Pressure regulator FKP-R

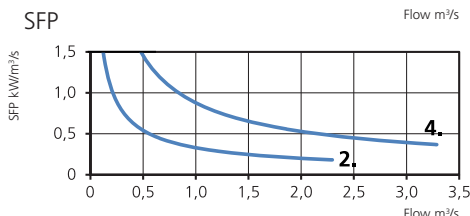
POWER/FLOW



SOUND DATA

| | L_{wa} tot dB (A) | 63 | 125 | 250 | 500 | 1K | 2K | 4K | 8K |
|--------------------|---------------------|----|-----|-----|-----|----|----|----|----|
| 4.Surrounding 10 V | 62 | 40 | 50 | 60 | 55 | 54 | 49 | 44 | 36 |
| 4.Outlet 10 V | 82 | 69 | 72 | 71 | 73 | 77 | 74 | 70 | 65 |
| 4.Inlet 10 V | 81 | 67 | 70 | 70 | 71 | 76 | 74 | 71 | 66 |
| 3.Inlet 8 V | 77 | 62 | 68 | 67 | 67 | 72 | 70 | 66 | 62 |
| 2.Inlet 7 V | 72 | 59 | 62 | 62 | 62 | 67 | 65 | 62 | 54 |
| 1.Inlet 5 V | 63 | 50 | 51 | 53 | 52 | 59 | 55 | 57 | 39 |

SFP



CONTROL VOLTAGE

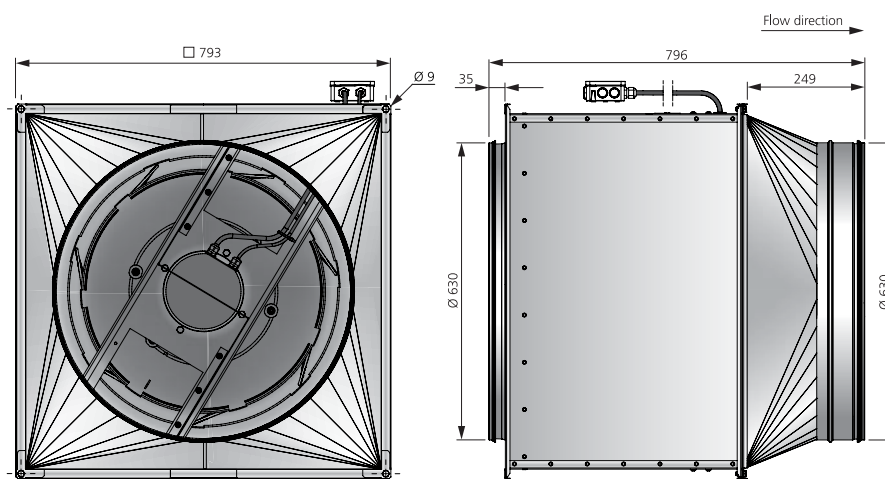
1. 5 V 2. 7 V 3. 8 V 4. 10 V

MORE INFORMATION



Find out the latest updated information about this product by visiting www.ostberg.com or by scanning QR code.

DIMENSIONS (mm)





- Duct fan with circular connections.
- High capacity and very good efficiency.
- Impeller with backward curved blades.
- The external rotor motor has maintenance-free sealed ball-bearings and is very energy efficient.
- Speed controlling can be done with the built-in potentiometer, 0-10 V alt. external control.
- Integrated motor protection.

- Junction box has enclosure class IP 54.
- Fan housing is manufactured from galvanized sheet steel.
- The fan is intended to be installed in a duct system.
- A duct connected fan can be installed outside or in damp environments.
- Easy installation in any position.

ACCESSORIES

- Safety grille BSV 630
- Back draught shutter RSK 630
- Louvre shutter VK 630
- Speed controller MS EC
- Pressure regulator CALAIR-PR-230V
- Pressure regulator FKP-R

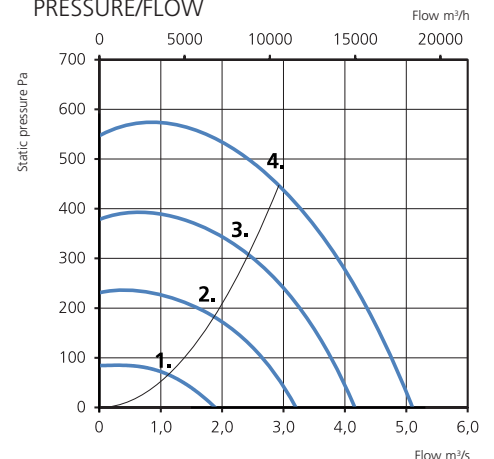
TECHNICAL DATA

| | |
|-------------------------------------|-------------|
| Voltage | 400 V |
| Frequency | 50/60 Hz |
| Phase | 3 ~ |
| Current | 4.35 A |
| Power | 2820 W |
| Speed | 1200 r.p.m. |
| Capacitor | |
| Max. temp of transported air | 60 °C |
| Sound pressure level, 3 m | 61 dB(A) |
| Weight | 86.4 kg |
| Wiring diagram | 4040147 |

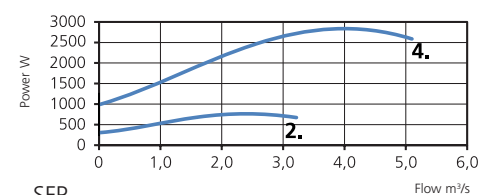
SOUND DATA

| | L _{WA} tot dB (A) | 63 | 125 | 250 | 500 | 1K | 2K | 4K | 8K |
|---------------------------|----------------------------|----|-----|-----|-----|----|----|----|----|
| 4.Surrounding 10 V | 68 | 50 | 56 | 64 | 62 | 58 | 53 | 48 | 41 |
| 4.Outlet 10 V | 91 | 80 | 84 | 83 | 83 | 84 | 81 | 77 | 69 |
| 4.Inlet 10 V | 88 | 73 | 78 | 79 | 78 | 82 | 80 | 77 | 71 |
| 3.Inlet 8 V | 82 | 68 | 72 | 72 | 73 | 77 | 75 | 72 | 65 |
| 2.Inlet 7 V | 76 | 62 | 66 | 68 | 66 | 71 | 69 | 64 | 56 |
| 1.Inlet 5 V | 62 | 50 | 53 | 53 | 52 | 58 | 55 | 48 | 38 |

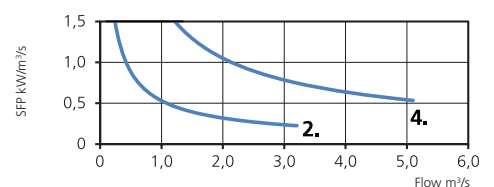
PRESSURE/FLOW



POWER/FLOW



SFP



MORE INFORMATION

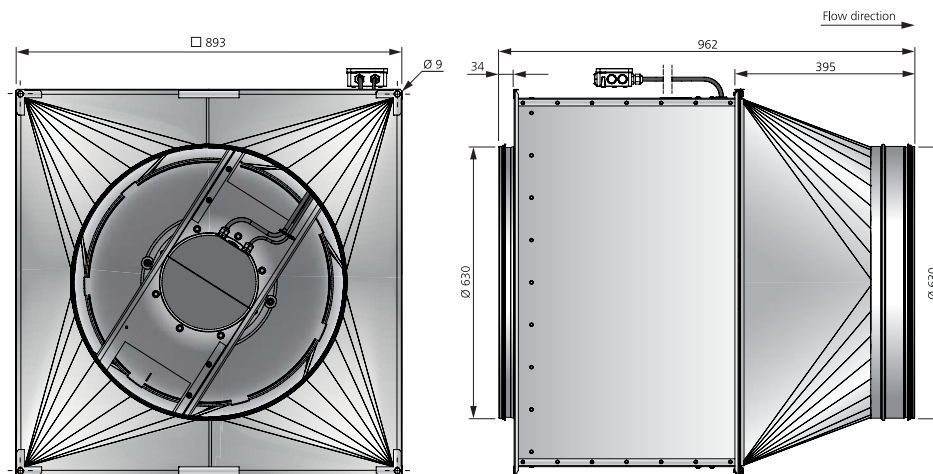


Find out the latest updated information about this product by visiting www.ostberg.com or by scanning QR code.

CONTROL VOLTAGE

1. 5 V 2. 7 V 3. 8 V 4. 10 V

DIMENSIONS (mm)



NON INSULATED DUCT FAN WITH CIRCULAR CONNECTIONS

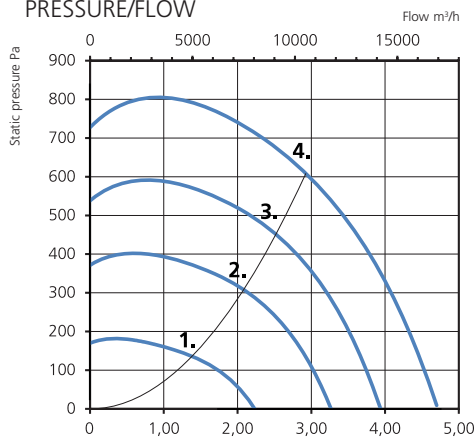
BFC 630 E3 EC

7460430

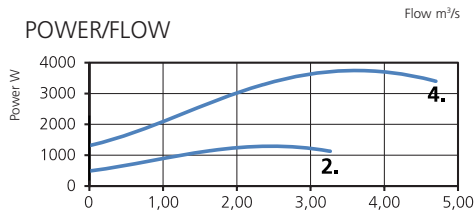
- Duct fan with circular connections.
- High capacity and very good efficiency.
- Impeller with backward curved blades.
- The external rotor motor has maintenance-free sealed ball-bearings and is very energy efficient.
- Speed controlling can be done with the built-in potentiometer, 0-10 V alt. external control.
- Integrated motor protection.
- Junction box has enclosure class IP 54.
- Fan housing is manufactured from galvanized sheet steel.
- The fan is intended to be installed in a duct system.
- A duct connected fan can be installed outside or in damp environments.
- Easy installation in any position.



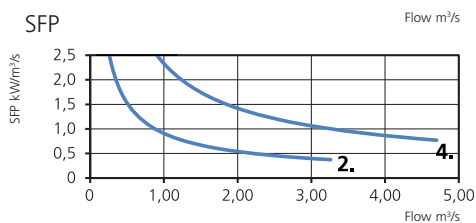
PRESSURE/FLOW



POWER/FLOW



SFP



TECHNICAL DATA

| | |
|------------------------------|-------------|
| Voltage | 400 V |
| Frequency | 50/60 Hz |
| Phase | 3 ~ |
| Current | 5.70 A |
| Power | 3730 W |
| Speed | 1550 r.p.m. |
| Capacitor | |
| Max. temp of transported air | 50 °C |
| Sound pressure level, 3 m | 65 dB(A) |
| Weight | 59.5 kg |
| Wiring diagram | 4040147 |

ACCESSORIES

- Safety grille BSV 630
- Back draught shutter RSK 630
- Louvre shutter VK 630
- Speed controller MS EC
- Pressure regulator CALAIR-PR-230V
- Pressure regulator FKP-R

SOUND DATA

| | L _{wa} tot dB (A) | 63 | 125 | 250 | 500 | 1K | 2K | 4K | 8K |
|--------------------|----------------------------|----|-----|-----|-----|----|----|----|----|
| 4.Surrounding 10 V | 72 | 48 | 57 | 70 | 63 | 63 | 59 | 54 | 47 |
| 4.Outlet 10 V | 90 | 77 | 79 | 80 | 81 | 85 | 83 | 81 | 75 |
| 4.Inlet 10 V | 90 | 76 | 77 | 81 | 79 | 84 | 84 | 81 | 76 |
| 3.Inlet 8 V | 86 | 72 | 75 | 74 | 75 | 80 | 80 | 77 | 71 |
| 2.Inlet 7 V | 80 | 66 | 69 | 68 | 69 | 75 | 75 | 71 | 65 |
| 1.Inlet 5 V | 71 | 57 | 59 | 59 | 60 | 66 | 65 | 60 | 51 |

CONTROL VOLTAGE

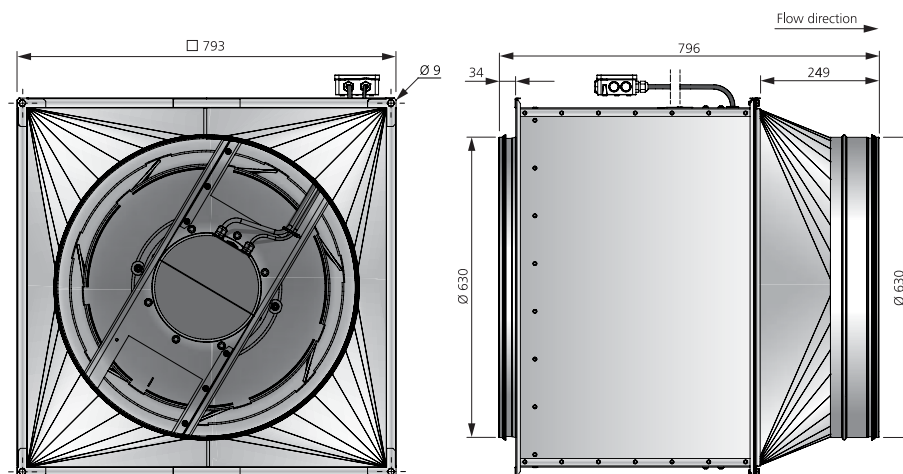
1. 5 V 2. 7 V 3. 8 V 4. 10 V

MORE INFORMATION



Find out the latest updated information about this product by visiting www.ostberg.com or by scanning QR code.

DIMENSIONS (mm)



NON INSULATED DUCT FAN WITH CIRCULAR CONNECTIONS

BFC 630 F3 EC

7460433



- Duct fan with circular connections.
- High capacity and very good efficiency.
- Impeller with backward curved blades.
- The external rotor motor has maintenance-free sealed ball-bearings and is very energy efficient.
- Speed controlling can be done with the built-in potentiometer, 0-10 V alt. external control.
- Integrated motor protection.

- Junction box has enclosure class IP 54.
- Fan housing is manufactured from galvanized sheet steel.
- The fan is intended to be installed in a duct system.
- A duct connected fan can be installed outside or in damp environments.
- Easy installation in any position.

ACCESSORIES

- Safety grille BSV 630
- Back draught shutter RSK 630
- Louvre shutter VK 630
- Speed controller MS EC
- Pressure regulator CALAIR-PR-230V
- Pressure regulator FKP-R

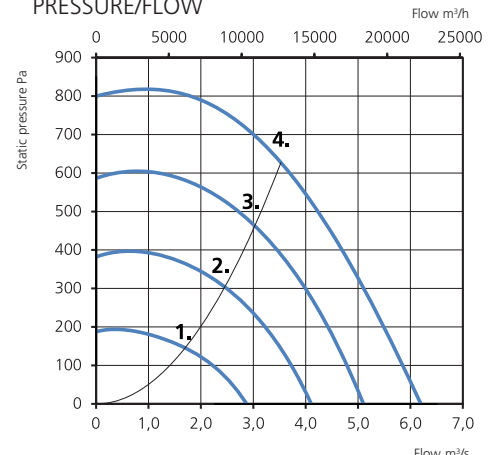
TECHNICAL DATA

| | |
|-------------------------------------|-------------|
| Voltage | 400 V |
| Frequency | 50/60 Hz |
| Phase | 3 ~ |
| Current | 7.30 A |
| Power | 4800 W |
| Speed | 1430 r.p.m. |
| Capacitor | |
| Max. temp of transported air | 40 °C |
| Sound pressure level, 3 m | 65 dB(A) |
| Weight | 86.4 kg |
| Wiring diagram | 4040147 |

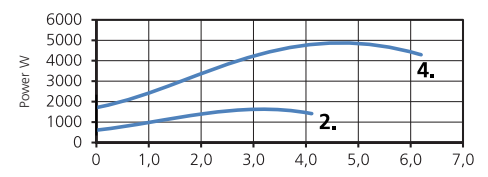
SOUND DATA

| | L_{WA} tot dB (A) | 63 | 125 | 250 | 500 | 1K | 2K | 4K | 8K |
|---------------------------|---------------------|----|-----|-----|-----|----|----|----|----|
| 4.Surrounding 10 V | 72 | 55 | 61 | 69 | 66 | 64 | 59 | 53 | 47 |
| 4.Outlet 10 V | 96 | 85 | 89 | 88 | 88 | 90 | 86 | 82 | 75 |
| 4.Inlet 10 V | 92 | 77 | 81 | 82 | 82 | 87 | 84 | 82 | 76 |
| 3.Inlet 8 V | 88 | 73 | 78 | 78 | 78 | 83 | 80 | 78 | 71 |
| 2.Inlet 7 V | 82 | 68 | 72 | 72 | 72 | 77 | 75 | 72 | 65 |
| 1.Inlet 5 V | 72 | 59 | 62 | 63 | 63 | 68 | 66 | 60 | 52 |

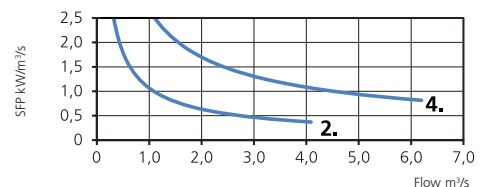
PRESSURE/FLOW



POWER/FLOW



SFP



MORE INFORMATION

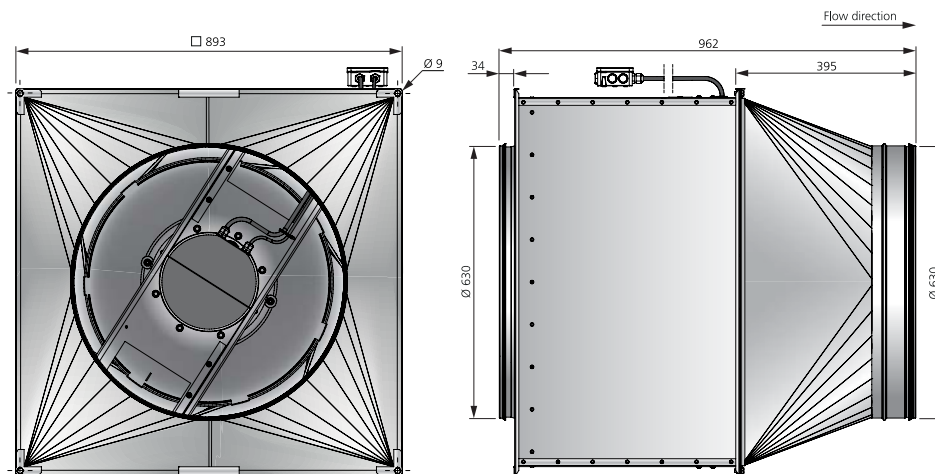


Find out the latest updated information about this product by visiting www.ostberg.com or by scanning QR code.

CONTROL VOLTAGE

1. 5 V 2. 7 V 3. 8 V 4. 10 V

DIMENSIONS (mm)



INSULATED DUCT FAN WITH CIRCULAR CONNECTIONS

IRB 125 B1

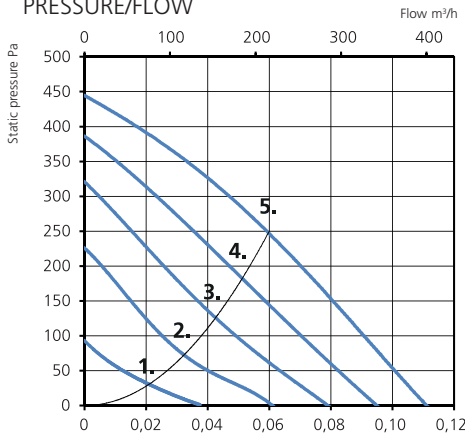
7880041

- Insulated duct fan with circular connections.
- Equipped with 50 mm of thermal and acoustic insulation makes it ideal for handling cold air.
- Designed for high pressure and long, complicated duct runs.
- The design prioritise functionality, durability and longevity.
- Operational in both 50 and 60 Hz.
- Impeller with backward curved blades.
- The external rotor motor has maintenance-free sealed ball-bearings.

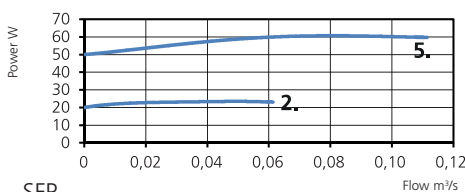
- Integrated motor protection.
- Junction box has enclosure class IP 54.
- For speed control a transformer or electronic speed controller can be connected.
- The housing is manufactured from galvanized sheet steel.
- Duct connections are equipped with rubber seals.
- The fan is intended to be installed in a duct system.
- A duct connected fan can be installed outside or in damp environments.



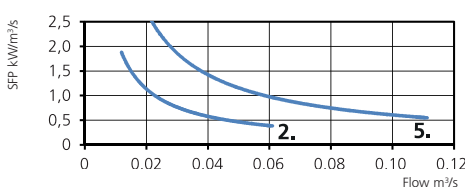
PRESSURE/FLOW



POWER/FLOW



SFP



TECHNICAL DATA

| | |
|-------------------------------------|-------------|
| Voltage | 230 V |
| Frequency | 50 Hz |
| Phase | 1 ~ |
| Current | 0.26 A |
| Power | 61 W |
| Speed | 2590 r.p.m. |
| Capacitor | 2 µF |
| Max. temp of transported air | 80 °C |
| Sound pressure level, 3 m | 37 dB(A) |
| Weight | 11.6 kg |
| Wiring diagram | 4040001 |

ACCESSORIES

- Mounting bracket Kit Universal
- Mounting clamp MK 125
- Safety grille BSV 125
- Back draught shutter RSK 125
- Louvre YG 125
- Louvre shutter VK 125
- Filterbox FLK 125
- Filterbox FLF 125
- Silencer LDC 125
- Transformer controller VRTE C
- Transformer controller VRDE 1.5
- Speed controller VRS 0.5

SOUND DATA

| | L_{WA} tot dB (A) | 63 | 125 | 250 | 500 | 1K | 2K | 4K | 8K |
|----------------------------|---------------------|----|-----|-----|-----|----|----|----|----|
| 5.Surrounding 230 V | 44 | 30 | 33 | 41 | 37 | 31 | 30 | 29 | 29 |
| 5.Outlet 230 V | 69 | 54 | 58 | 63 | 65 | 62 | 58 | 53 | 47 |
| 5.Inlet 230 V | 52 | 41 | 49 | 46 | 39 | 35 | 36 | 31 | 22 |
| 4.Inlet 165 V | 49 | 36 | 46 | 44 | 36 | 31 | 32 | 25 | 17 |
| 3.Inlet 135 V | 45 | 33 | 42 | 40 | 32 | 27 | 26 | 19 | 10 |
| 2.Inlet 110 V | 39 | 29 | 38 | 31 | 26 | 20 | 16 | 8 | 4 |
| 1.Inlet 80 V | 32 | 25 | 29 | 26 | 17 | 9 | 3 | 3 | 3 |

TRANSFORMER STEPS

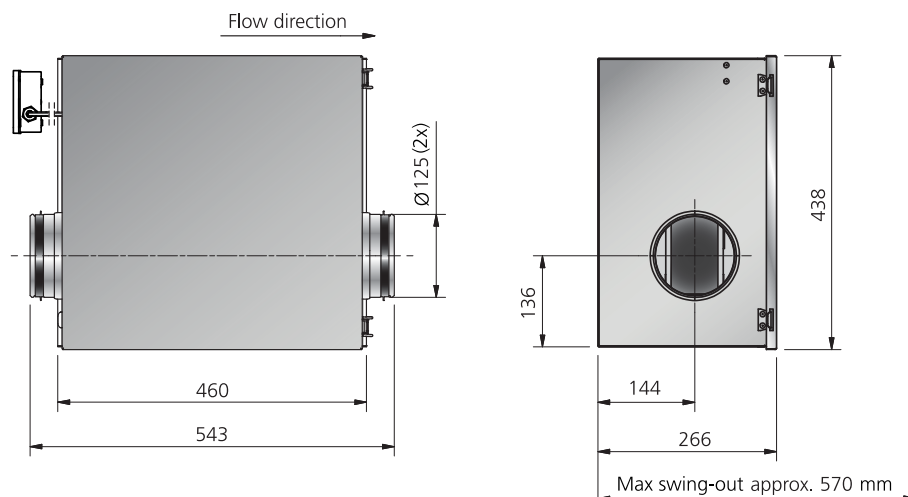
1. 80 V 2. 110 V 3. 135 V 4. 165 V 5. 230 V

MORE INFORMATION



Find out the latest updated information about this product by visiting www.ostberg.com or by scanning QR code.

DIMENSIONS (mm)





- Insulated duct fan with circular connections.
- Equipped with 50 mm of thermal and acoustic insulation makes it ideal for handling cold air.
- Designed for high pressure and long, complicated duct runs.
- The design prioritise functionality, durability and longevity.
- Operational in both 50 and 60 Hz.
- Impeller with backward curved blades.
- The external rotor motor has maintenance-free sealed ball-bearings.

- Integrated motor protection.
- Junction box has enclosure class IP 54.
- For speed control a transformer or electronic speed controller can be connected.
- The housing is manufactured from galvanized sheet steel.
- Duct connections are equipped with rubber seals.
- The fan is intended to be installed in a duct system.
- A duct connected fan can be installed outside or in damp environments.

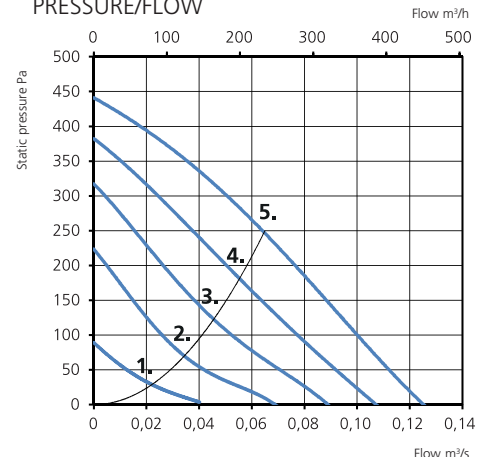
ACCESSORIES

- Mounting bracket Kit Universal
- Mounting clamp MK 160
- Safety grille BSV 160
- Back draught shutter RSK 160
- Louvre YG 160
- Louvre shutter VK 160
- Filterbox FLK 160
- Filterbox FLF 160
- Silencer LDC 160
- Transformer controller VRTE C
- Transformer controller VRDE 1.5
- Speed controller VRS 0.5

TECHNICAL DATA

| | |
|-------------------------------------|-------------|
| Voltage | 230 V |
| Frequency | 50 Hz |
| Phase | 1 ~ |
| Current | 0.26 A |
| Power | 59 W |
| Speed | 2580 r.p.m. |
| Capacitor | 2 µF |
| Max. temp of transported air | 80 °C |
| Sound pressure level, 3 m | 37 dB(A) |
| Weight | 11.7 kg |
| Wiring diagram | 4040001 |

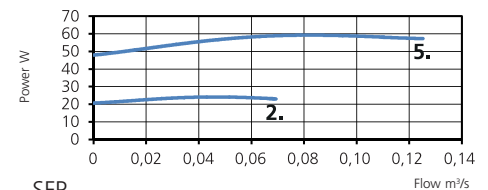
PRESSURE/FLOW



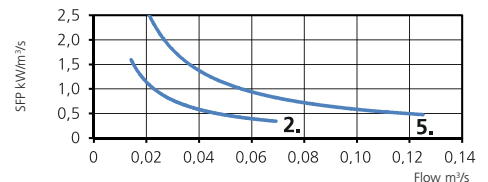
SOUND DATA

| | L_{WA} tot dB (A) | 63 | 125 | 250 | 500 | 1K | 2K | 4K | 8K |
|----------------------------|---------------------|----|-----|-----|-----|----|----|----|----|
| 5.Surrounding 230 V | 44 | 30 | 36 | 41 | 37 | 32 | 31 | 29 | 29 |
| 5.Outlet 230 V | 72 | 56 | 60 | 66 | 67 | 63 | 61 | 60 | 51 |
| 5.Inlet 230 V | 55 | 41 | 53 | 49 | 41 | 35 | 37 | 34 | 25 |
| 4.Inlet 165 V | 52 | 38 | 50 | 47 | 37 | 31 | 33 | 29 | 19 |
| 3.Inlet 135 V | 48 | 35 | 45 | 42 | 33 | 27 | 27 | 22 | 11 |
| 2.Inlet 110 V | 42 | 31 | 40 | 35 | 27 | 21 | 18 | 13 | 5 |
| 1.Inlet 80 V | 37 | 26 | 35 | 30 | 18 | 10 | 6 | 4 | 4 |

POWER/FLOW



SFP



MORE INFORMATION

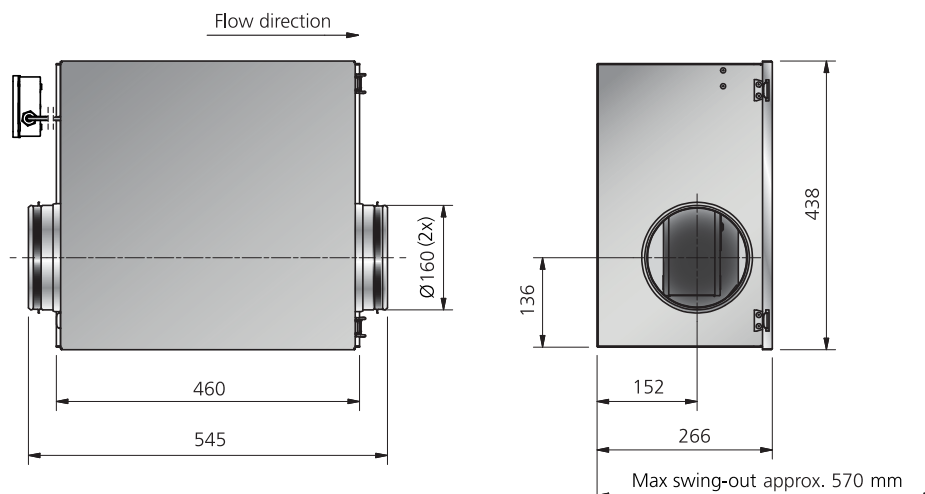


Find out the latest updated information about this product by visiting www.ostberg.com or by scanning QR code.

TRANSFORMER STEPS

1. 80 V 2. 110 V 3. 135 V 4. 165 V 5. 230 V

DIMENSIONS (mm)

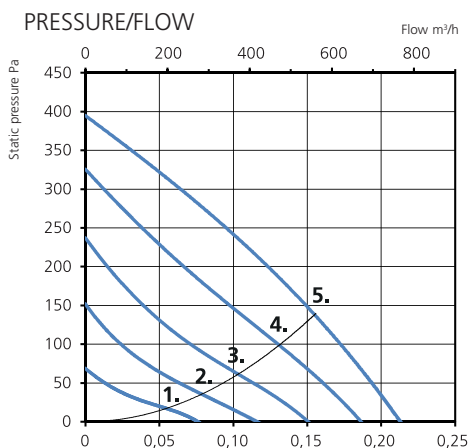


INSULATED DUCT FAN WITH CIRCULAR CONNECTIONS

IRB 200 A1

7880035

- Insulated duct fan with circular connections.
- Equipped with 50 mm of thermal and acoustic insulation makes it ideal for handling cold air.
- Designed for high pressure and long, complicated duct runs.
- The design prioritise functionality, durability and longevity.
- Impeller with backward curved blades.
- The external rotor motor has maintenance-free sealed ball-bearings.
- Integrated motor protection.
- Junction box has enclosure class IP 54.
- For speed control a transformer or electronic speed controller can be connected.
- The housing is manufactured from galvanized sheet steel.
- Duct connections are equipped with rubber seals.
- The fan is intended to be installed in a duct system.
- A duct connected fan can be installed outside or in damp environments.
- To comply with the ErP 2018 regulation, a local demand controller must be used.

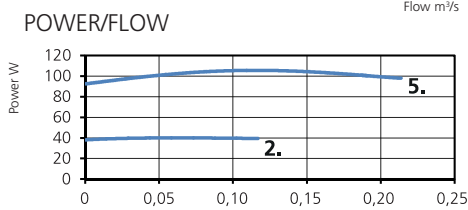


TECHNICAL DATA

| | |
|-------------------------------------|-------------|
| Voltage | 230 V |
| Frequency | 50 Hz |
| Phase | 1 ~ |
| Current | 0.46 A |
| Power | 105 W |
| Speed | 2520 r.p.m. |
| Capacitor | 3 µF |
| Max. temp of transported air | 75 °C |
| Sound pressure level, 3 m | 45 dB(A) |
| Weight | 19 kg |
| Wiring diagram | 4040001 |

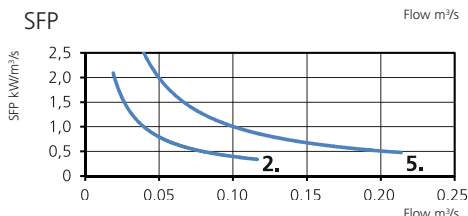
ACCESSORIES

- Mounting bracket Kit Universal
- Mounting clamp MK 200
- Safety grille BSV 200
- Back draught shutter RSK 200
- Louvre YG 200
- Louvre shutter VK 200
- Filterbox FLK 200
- Filterbox FLF 200
- Silencer LDC 200
- Transformer controller VRTE C
- Transformer controller VRDE 1.5
- Speed controller VRS 0.5
- Local Demand Controller Kit



SOUND DATA

| | L_{WA} tot dB (A) | 63 | 125 | 250 | 500 | 1K | 2K | 4K | 8K |
|----------------------------|---------------------|----|-----|-----|-----|----|----|----|----|
| 5.Surrounding 230 V | 52 | 31 | 38 | 51 | 40 | 36 | 36 | 29 | 28 |
| 5.Outlet 230 V | 69 | 53 | 60 | 65 | 61 | 57 | 60 | 56 | 49 |
| 5.Inlet 230 V | 62 | 51 | 59 | 58 | 50 | 42 | 41 | 39 | 33 |
| 4.Inlet 165 V | 60 | 48 | 56 | 57 | 44 | 37 | 36 | 33 | 27 |
| 3.Inlet 135 V | 57 | 44 | 52 | 54 | 39 | 31 | 30 | 26 | 18 |
| 2.Inlet 110 V | 50 | 40 | 48 | 42 | 31 | 24 | 25 | 14 | 7 |
| 1.Inlet 80 V | 47 | 33 | 47 | 33 | 21 | 14 | 10 | 5 | 5 |



TRANSFORMER STEPS

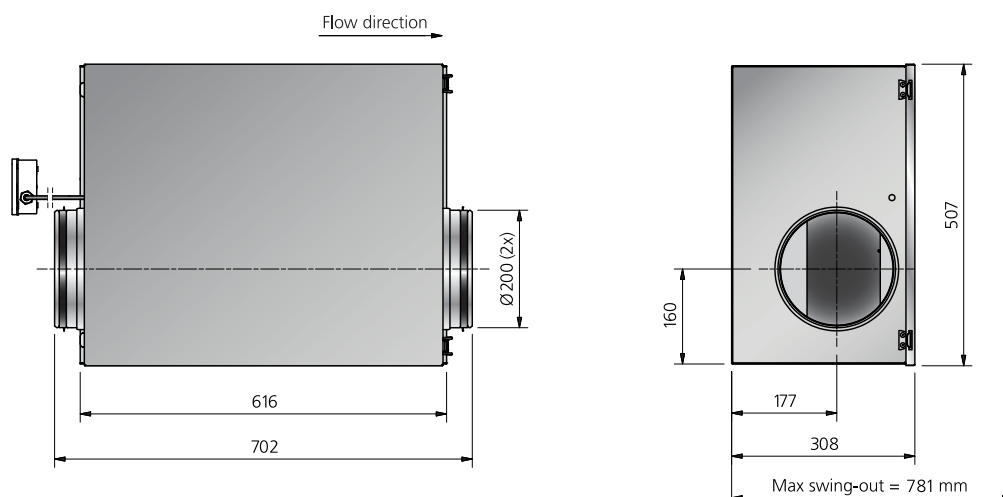
1. 80 V 2. 110 V 3. 135 V 4. 165 V 5. 230 V

MORE INFORMATION



Find out the latest updated information about this product by visiting www.ostberg.com or by scanning QR code.

DIMENSIONS (mm)





- Insulated duct fan with circular connections.
- Equipped with 50 mm of thermal and acoustic insulation makes it ideal for handling cold air.
- Designed for high pressure and long, complicated duct runs.
- The design prioritise functionality, durability and longevity.
- Impeller with backward curved blades.
- The external rotor motor has maintenance-free sealed ball-bearings.
- Integrated motor protection.

- Junction box has enclosure class IP 54.
- For speed control a transformer or electronic speed controller can be connected.
- The housing is manufactured from galvanized sheet steel.
- Duct connections are equipped with rubber seals.
- The fan is intended to be installed in a duct system.
- A duct connected fan can be installed outside or in damp environments.

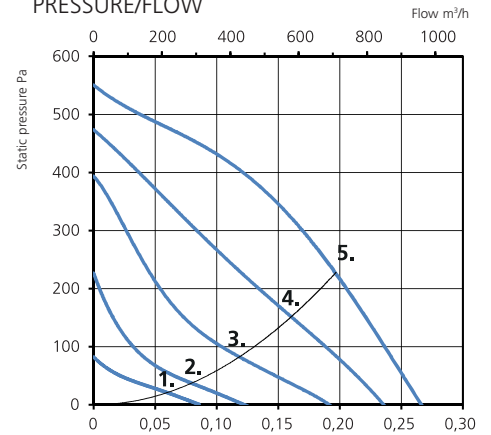
ACCESSORIES

- Mounting bracket Kit Universal
- Mounting clamp MK 200
- Safety grille BSV 200
- Back draught shutter RSK 200
- Louvre YG 200
- Louvre shutter VK 200
- Filterbox FLK 200
- Filterbox FLF 200
- Silencer LDC 200
- Transformer controller VRTE C
- Transformer controller VRDE 1.5
- Speed controller VRS 1.0

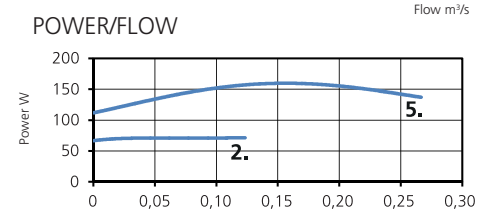
TECHNICAL DATA

| | |
|-------------------------------------|-------------|
| Voltage | 230 V |
| Frequency | 50 Hz |
| Phase | 1 ~ |
| Current | 0.7 A |
| Power | 160 W |
| Speed | 2700 r.p.m. |
| Capacitor | 5 µF |
| Max. temp of transported air | 80 °C |
| Sound pressure level, 3 m | 48 dB(A) |
| Weight | 19.7 kg |
| Wiring diagram | 4040001 |

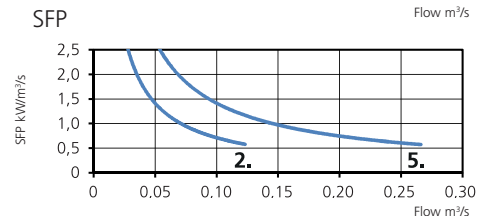
PRESSURE/FLOW



POWER/FLOW



SFP



SOUND DATA

| | L_{WA} tot dB (A) | 63 | 125 | 250 | 500 | 1K | 2K | 4K | 8K |
|----------------------------|---------------------|----|-----|-----|-----|----|----|----|----|
| 5.Surrounding 230 V | 55 | 36 | 42 | 53 | 48 | 40 | 37 | 32 | 29 |
| 5.Outlet 230 V | 73 | 61 | 63 | 69 | 66 | 63 | 62 | 58 | 60 |
| 5.Inlet 230 V | 66 | 54 | 60 | 62 | 57 | 48 | 41 | 40 | 39 |
| 4.Inlet 165 V | 64 | 50 | 58 | 63 | 51 | 41 | 35 | 35 | 34 |
| 3.Inlet 135 V | 58 | 45 | 53 | 56 | 40 | 30 | 25 | 32 | 20 |
| 2.Inlet 110 V | 54 | 44 | 54 | 41 | 29 | 21 | 23 | 19 | 5 |
| 1.Inlet 80 V | 52 | 37 | 52 | 33 | 21 | 12 | 8 | 4 | 4 |

MORE INFORMATION

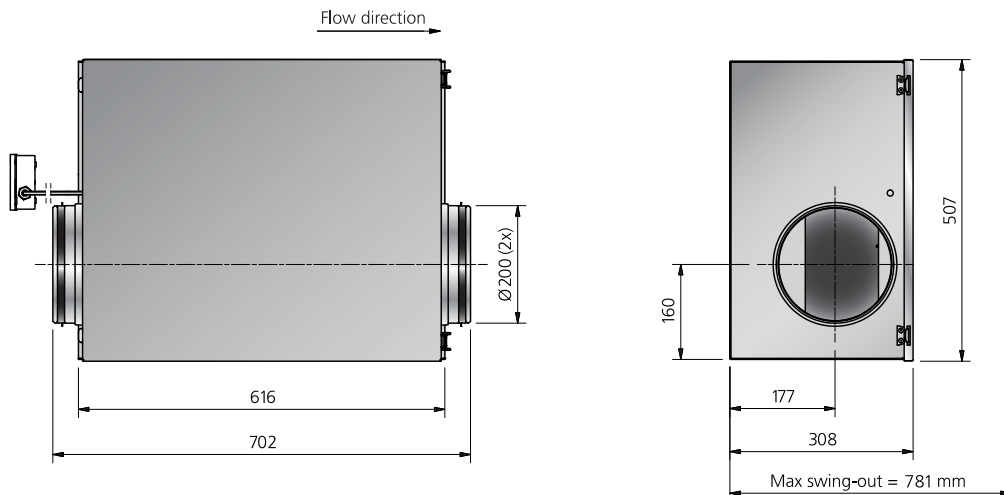


Find out the latest updated information about this product by visiting www.ostberg.com or by scanning QR code.

TRANSFORMER STEPS

1. 80 V 2. 110 V 3. 135 V 4. 165 V 5. 230 V

DIMENSIONS (mm)



INSULATED DUCT FAN WITH CIRCULAR CONNECTIONS

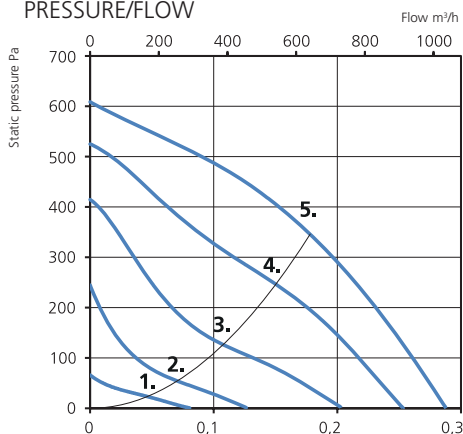
IRB 200 E1 ErP

7880085

- Insulated duct fan with circular connections.
- Equipped with 50 mm of thermal and acoustic insulation makes it ideal for handling cold air.
- Designed for high pressure and long, complicated duct runs.
- The design prioritises functionality, durability and longevity.
- Operational in both 50 and 60 Hz.
- Impeller with backward curved blades.
- The external rotor motor has maintenance-free sealed ball-bearings.
- Integrated motor protection.
- Junction box has enclosure class IP 54.
- For speed control a transformer or electronic speed controller can be connected.
- The housing is manufactured from galvanized sheet steel.
- Duct connections are equipped with rubber seals.
- The fan is intended to be installed in a duct system.
- A duct connected fan can be installed outside or in damp environments.
- To comply with the ErP 2018 regulation, a local demand controller must be used.



PRESSURE/FLOW



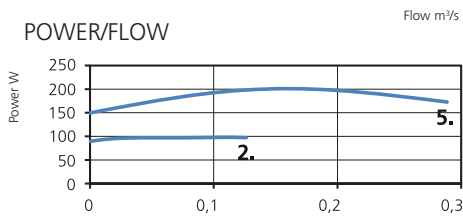
TECHNICAL DATA

| | |
|-------------------------------------|-------------|
| Voltage | 230 V |
| Frequency | 50 Hz |
| Phase | 1 ~ |
| Current | 0.87 A |
| Power | 200 W |
| Speed | 2700 r.p.m. |
| Capacitor | 6 µF |
| Max. temp of transported air | 85 °C |
| Sound pressure level, 3 m | 47 dB(A) |
| Weight | 20.2 kg |
| Wiring diagram | 4040001 |

ACCESSORIES

- Mounting bracket Kit Universal
- Mounting clamp MK 200
- Safety grille BSV 200
- Back draught shutter RSK 200
- Louvre shutter VK 200
- Silencer LDC 200
- Filterbox FLF 200
- Filterbox FLK 200
- Louvre YG 200
- Transformer controller VRDE 1.5
- Transformer controller VRTE 1
- Speed controller VRS 2.0
- Local Demand Controller Kit

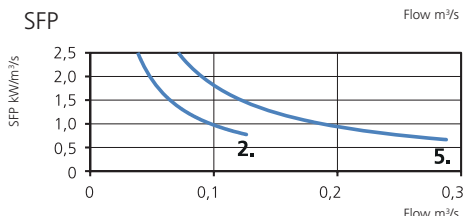
POWER/FLOW



SOUND DATA

| | L_{WA} tot dB (A) | 63 | 125 | 250 | 500 | 1K | 2K | 4K | 8K |
|----------------------------|---------------------|----|-----|-----|-----|----|----|----|----|
| 5.Surrounding 230 V | 54 | 34 | 42 | 53 | 45 | 38 | 35 | 32 | 29 |
| 5.Outlet 230 V | 71 | 57 | 61 | 68 | 64 | 59 | 61 | 57 | 48 |
| 5.Inlet 230 V | 64 | 54 | 59 | 61 | 55 | 45 | 41 | 37 | 33 |
| 4.Inlet 165 V | 64 | 51 | 55 | 62 | 50 | 40 | 36 | 31 | 28 |
| 3.Inlet 135 V | 59 | 45 | 50 | 58 | 41 | 32 | 28 | 22 | 21 |
| 2.Inlet 110 V | 49 | 38 | 47 | 43 | 29 | 25 | 16 | 14 | 17 |
| 1.Inlet 80 V | 43 | 34 | 42 | 30 | 19 | 10 | 7 | 12 | 13 |

SFP



TRANSFORMER STEPS

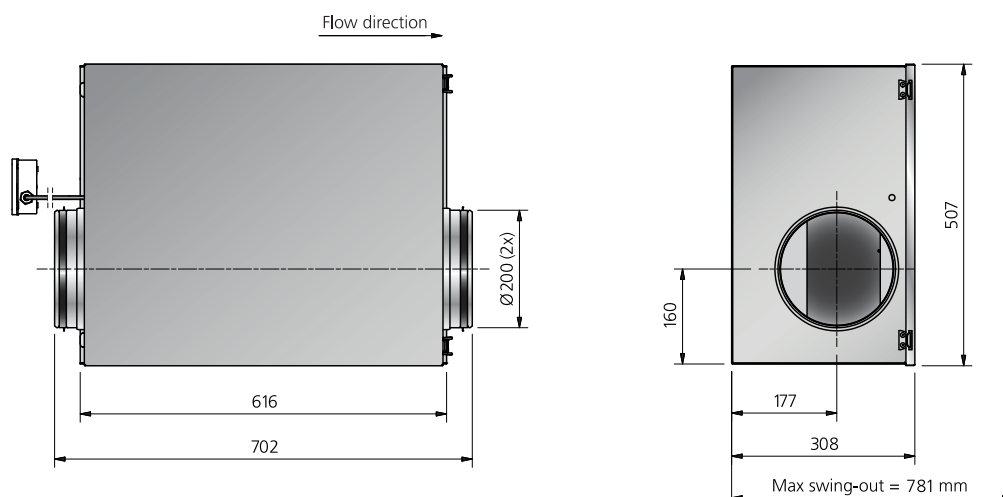
1. 80 V 2. 110 V 3. 135 V 4. 165 V 5. 230 V

MORE INFORMATION



Find out the latest updated information about this product by visiting www.ostberg.com or by scanning QR code.

DIMENSIONS (mm)





- Insulated duct fan with circular connections.
- Equipped with 50 mm of thermal and acoustic insulation makes it ideal for handling cold air.
- Designed for high pressure and long, complicated duct runs.
- The design prioritise functionality, durability and longevity.
- Impeller with backward curved blades.
- The external rotor motor has maintenance-free sealed ball-bearings.
- Integrated motor protection.

- Junction box has enclosure class IP 54.
- For speed control a transformer or electronic speed controller can be connected.
- The housing is manufactured from galvanized sheet steel.
- Duct connections are equipped with rubber seals.
- The fan is intended to be installed in a duct system.
- A duct connected fan can be installed outside or in damp environments.

ACCESSORIES

- Mounting bracket Kit Universal
- Mounting clamp MK 250
- Safety grille BSV 250
- Back draught shutter RSK 250
- Louvre YG 250
- Louvre shutter VK 250
- Filterbox FLK 250
- Filterbox FLF 250
- Silencer LDC 250
- Transformer controller VRTE C
- Transformer controller VRDE 1.5
- Speed controller VRS 1.0

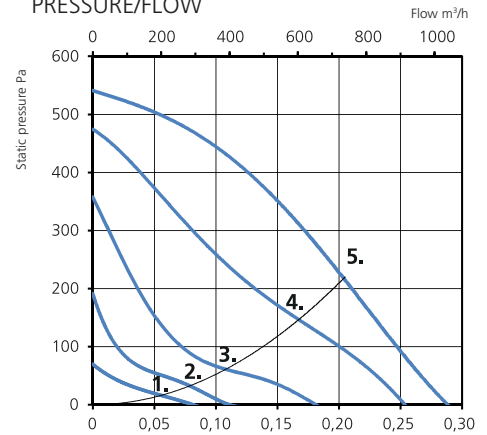
TECHNICAL DATA

| | |
|-------------------------------------|-------------|
| Voltage | 230 V |
| Frequency | 50 Hz |
| Phase | 1 ~ |
| Current | 0.71 A |
| Power | 165 W |
| Speed | 2690 r.p.m. |
| Capacitor | 5 µF |
| Max. temp of transported air | 80 °C |
| Sound pressure level, 3 m | 46 dB(A) |
| Weight | 33.4 kg |
| Wiring diagram | 4040001 |

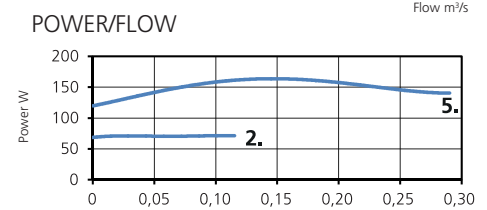
SOUND DATA

| | L_{wa} tot dB (A) | 63 | 125 | 250 | 500 | 1K | 2K | 4K | 8K |
|----------------------------|---------------------|----|-----|-----|-----|----|----|----|----|
| 5.Surrounding 230 V | 53 | 35 | 39 | 51 | 44 | 38 | 33 | 30 | 28 |
| 5.Outlet 230 V | 73 | 55 | 57 | 69 | 63 | 65 | 65 | 61 | 62 |
| 5.Inlet 230 V | 62 | 57 | 56 | 57 | 47 | 50 | 46 | 44 | 46 |
| 4.Inlet 165 V | 59 | 47 | 51 | 57 | 41 | 45 | 41 | 40 | 42 |
| 3.Inlet 135 V | 55 | 40 | 48 | 54 | 34 | 35 | 33 | 38 | 25 |
| 2.Inlet 110 V | 48 | 38 | 47 | 38 | 27 | 26 | 34 | 29 | 11 |
| 1.Inlet 80 V | 47 | 35 | 46 | 31 | 16 | 16 | 25 | 12 | 9 |

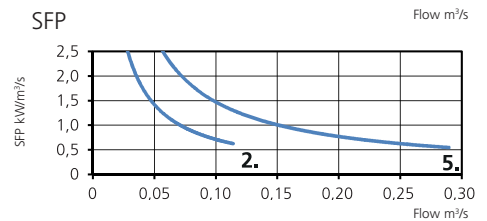
PRESSURE/FLOW



POWER/FLOW



SFP



MORE INFORMATION

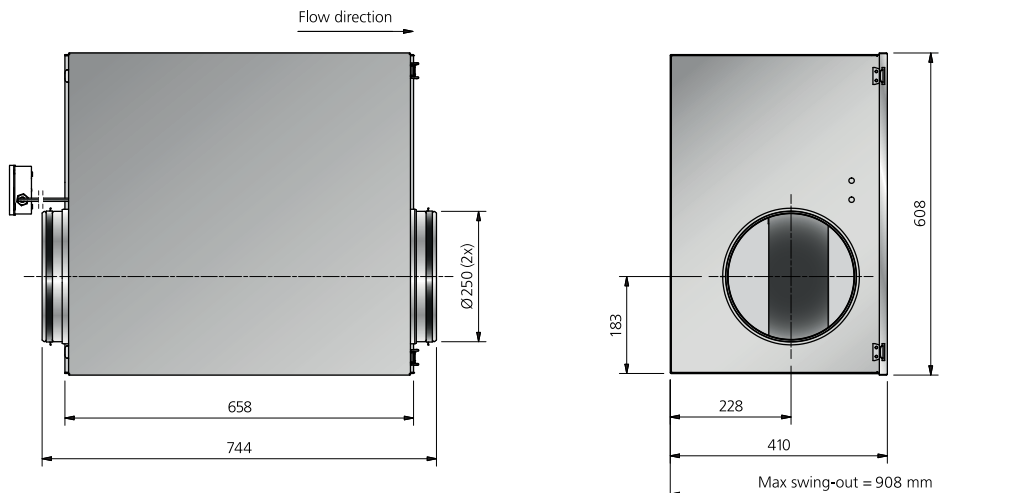


Find out the latest updated information about this product by visiting www.ostberg.com or by scanning QR code.

TRANSFORMER STEPS

1. 80 V 2. 110 V 3. 135 V 4. 165 V 5. 230 V

DIMENSIONS (mm)



INSULATED DUCT FAN WITH CIRCULAR CONNECTIONS

IRB 250 E1 ErP

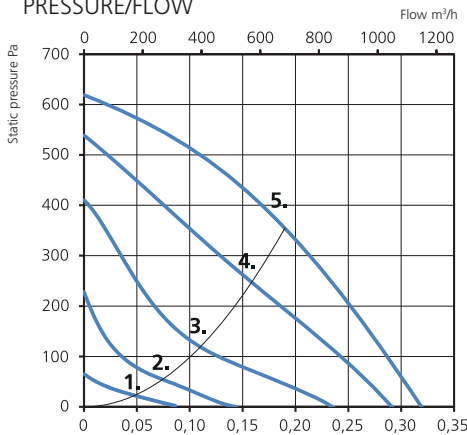
7880086

- Insulated duct fan with circular connections.
- Equipped with 50 mm of thermal and acoustic insulation makes it ideal for handling cold air.
- Designed for high pressure and long, complicated duct runs.
- The design prioritise functionality, durability and longevity.
- Impeller with backward curved blades.
- The external rotor motor has maintenance-free sealed ball-bearings.

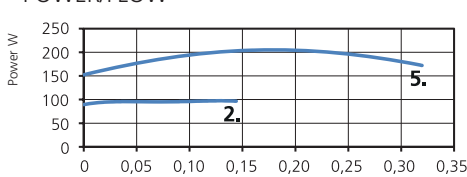
- Integrated motor protection.
- Junction box has enclosure class IP 54.
- For speed control a transformer or electronic speed controller can be connected.
- The housing is manufactured from galvanized sheet steel.
- Duct connections are equipped with rubber seals.
- The fan is intended to be installed in a duct system.
- A duct connected fan can be installed outside or in damp environments.



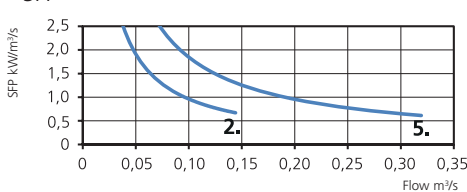
PRESSURE/FLOW



POWER/FLOW



SFP



TECHNICAL DATA

| | |
|-------------------------------------|-------------|
| Voltage | 230 V |
| Frequency | 50 Hz |
| Phase | 1 ~ |
| Current | 0.90 A |
| Power | 206 W |
| Speed | 2680 r.p.m. |
| Capacitor | 6 µF |
| Max. temp of transported air | 85 °C |
| Sound pressure level, 3 m | 44 dB(A) |
| Weight | 33.9 kg |
| Wiring diagram | 4040001 |

ACCESSORIES

- Mounting bracket Kit Universal
- Mounting clamp MK 250
- Safety grille BSV 250
- Back draught shutter RSK 250
- Louvre shutter VK 250
- Silencer LDC 250
- Filterbox FLF 250
- Filterbox FLK 250
- Louvre YG 250
- Transformer controller VRDE 1.5
- Transformer controller VRTE 1
- Speed controller VRS 2.0

SOUND DATA

| | L_{wa} tot dB (A) | 63 | 125 | 250 | 500 | 1K | 2K | 4K | 8K |
|----------------------------|---------------------|----|-----|-----|-----|----|----|----|----|
| 5.Surrounding 230 V | 51 | 37 | 39 | 49 | 42 | 38 | 36 | 32 | 30 |
| 5.Outlet 230 V | 70 | 55 | 56 | 66 | 60 | 61 | 64 | 60 | 52 |
| 5.Inlet 230 V | 60 | 54 | 54 | 56 | 47 | 48 | 46 | 44 | 40 |
| 4.Inlet 165 V | 56 | 49 | 50 | 53 | 41 | 43 | 42 | 37 | 36 |
| 3.Inlet 135 V | 54 | 43 | 47 | 53 | 34 | 36 | 33 | 30 | 27 |
| 2.Inlet 110 V | 45 | 37 | 44 | 36 | 25 | 28 | 23 | 19 | 16 |
| 1.Inlet 80 V | 38 | 33 | 36 | 27 | 15 | 16 | 15 | 15 | 13 |

TRANSFORMER STEPS

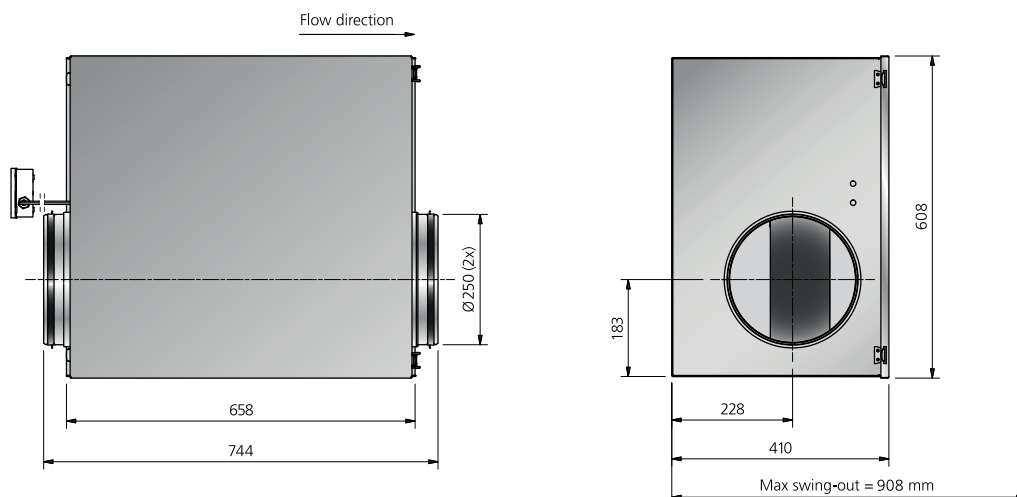
1. 80 V 2. 110 V 3. 135 V 4. 165 V 5. 230 V

MORE INFORMATION



Find out the latest updated information about this product by visiting www.ostberg.com or by scanning QR code.

DIMENSIONS (mm)





- Insulated duct fan with circular connections.
- Equipped with 50 mm of thermal and acoustic insulation makes it ideal for handling cold air.
- Designed for high pressure and long, complicated duct runs.
- The design prioritise functionality, durability and longevity.
- Impeller with backward curved blades.
- The external rotor motor has maintenance-free sealed ball-bearings.

- Integrated motor protection.
- Junction box has enclosure class IP 54.
- For speed control a transformer or electronic speed controller can be connected.
- The housing is manufactured from galvanized sheet steel.
- Duct connections are equipped with rubber seals.
- The fan is intended to be installed in a duct system.
- A duct connected fan can be installed outside or in damp environments.

ACCESSORIES

- Mounting bracket Kit Universal
- Mounting clamp MK 315
- Safety grille BSV 315
- Back draught shutter RSK 315
- Louvre YG 315
- Louvre shutter VK 315
- Filterbox FLK 315
- Filterbox FLF 315
- Silencer LDC 315
- Transformer controller VRIT 1
- Transformer controller VRDT 2

TECHNICAL DATA

| | |
|-------------------------------------|-------------|
| Voltage | 400 V |
| Frequency | 50 Hz |
| Phase | 3 ~ |
| Current | 0.42 A |
| Power | 215 W |
| Speed | 1350 r.p.m. |
| Capacitor | |
| Max. temp of transported air | 80 °C |
| Sound pressure level, 3 m | 47 dB(A) |
| Weight | 43.4 kg |
| Wiring diagram | 4040004 |

SOUND DATA

| | L _{WA} tot dB (A) | 63 | 125 | 250 | 500 | 1K | 2K | 4K | 8K |
|----------------------------|----------------------------|----|-----|-----|-----|----|----|----|----|
| 5.Surrounding 400 V | 54 | 40 | 51 | 51 | 37 | 36 | 30 | 29 | 28 |
| 5.Outlet 400 V | 70 | 56 | 68 | 64 | 54 | 53 | 50 | 50 | 38 |
| 5.Inlet 400 V | 64 | 53 | 63 | 57 | 41 | 35 | 35 | 32 | 29 |
| 4.Inlet 240 V | 63 | 51 | 62 | 51 | 35 | 30 | 30 | 29 | 25 |
| 3.Inlet 185 V | 57 | 50 | 56 | 46 | 29 | 26 | 26 | 25 | 19 |
| 2.Inlet 145 V | 47 | 45 | 41 | 38 | 23 | 25 | 24 | 14 | 11 |
| 1.Inlet 95 V | 35 | 31 | 30 | 29 | 12 | 18 | 14 | 13 | 10 |

MORE INFORMATION

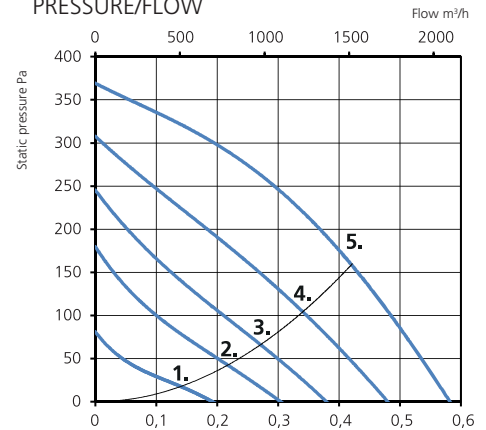


Find out the latest updated information about this product by visiting www.ostberg.com or by scanning QR code.

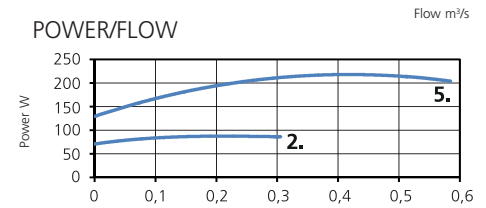
TRANSFORMER STEPS

1. 95 V 2. 145 V 3. 185 V 4. 240 V 5. 400 V

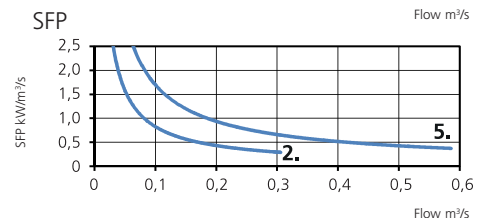
PRESSURE/FLOW



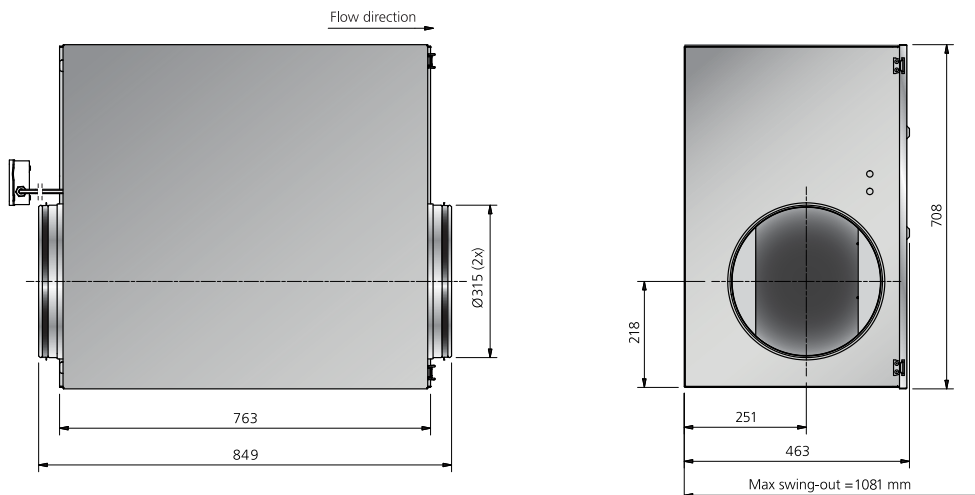
POWER/FLOW



SFP



DIMENSIONS (mm)

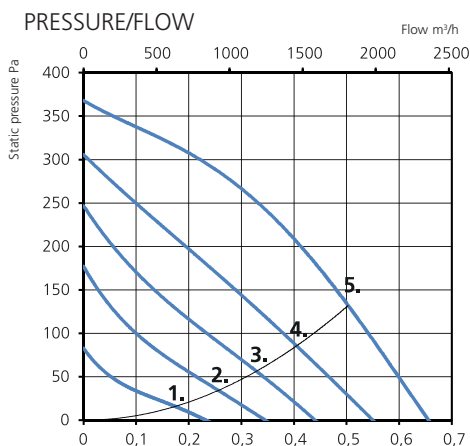


INSULATED DUCT FAN WITH CIRCULAR CONNECTIONS

IRB 355 B3 ErP

7890121

- Insulated duct fan with circular connections.
- Equipped with 50 mm of thermal and acoustic insulation makes it ideal for handling cold air.
- Designed for high pressure and long, complicated duct runs.
- The design prioritise functionality, durability and longevity.
- Impeller with backward curved blades.
- The external rotor motor has maintenance-free sealed ball-bearings.
- Integrated motor protection.
- Junction box has enclosure class IP 54.
- For speed control a transformer or electronic speed controller can be connected.
- The housing is manufactured from galvanized sheet steel.
- Duct connections are equipped with rubber seals.
- The fan is intended to be installed in a duct system.
- A duct connected fan can be installed outside or in damp environments.

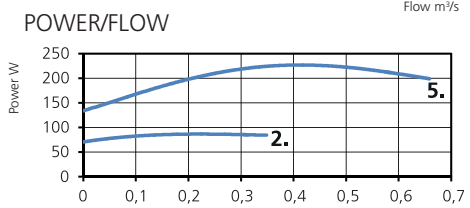


TECHNICAL DATA

| | |
|-------------------------------------|-------------|
| Voltage | 400 V |
| Frequency | 50 Hz |
| Phase | 3 ~ |
| Current | 0.43 A |
| Power | 228 W |
| Speed | 1340 r.p.m. |
| Capacitor | |
| Max. temp of transported air | 80 °C |
| Sound pressure level, 3 m | 49 dB(A) |
| Weight | 45.1 kg |
| Wiring diagram | 4040004 |

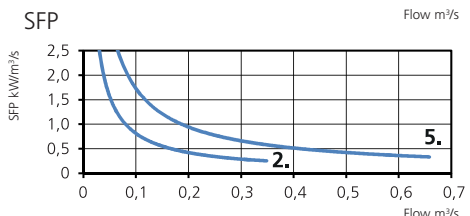
ACCESSORIES

- Mounting bracket Kit Universal
- Mounting clamp MK 355
- Safety grille BSV 355
- Back draught shutter RSK 355
- Louvre shutter VK 355
- Transformer controller VR TT 1
- Transformer controller VR DT 2



SOUND DATA

| | L_{WA} tot dB (A) | 63 | 125 | 250 | 500 | 1K | 2K | 4K | 8K |
|----------------------------|---------------------|----|-----|-----|-----|----|----|----|----|
| 5.Surrounding 400 V | 56 | 40 | 55 | 50 | 36 | 34 | 28 | 28 | 27 |
| 5.Outlet 400 V | 70 | 56 | 68 | 66 | 56 | 54 | 52 | 56 | 46 |
| 5.Inlet 400 V | 65 | 54 | 64 | 58 | 44 | 35 | 34 | 35 | 31 |
| 4.Inlet 240 V | 63 | 50 | 62 | 52 | 36 | 30 | 29 | 33 | 25 |
| 3.Inlet 185 V | 55 | 49 | 53 | 47 | 29 | 26 | 28 | 29 | 18 |
| 2.Inlet 145 V | 49 | 47 | 43 | 39 | 22 | 27 | 26 | 14 | 11 |
| 1.Inlet 95 V | 38 | 36 | 31 | 25 | 14 | 21 | 14 | 12 | 9 |



TRANSFORMER STEPS

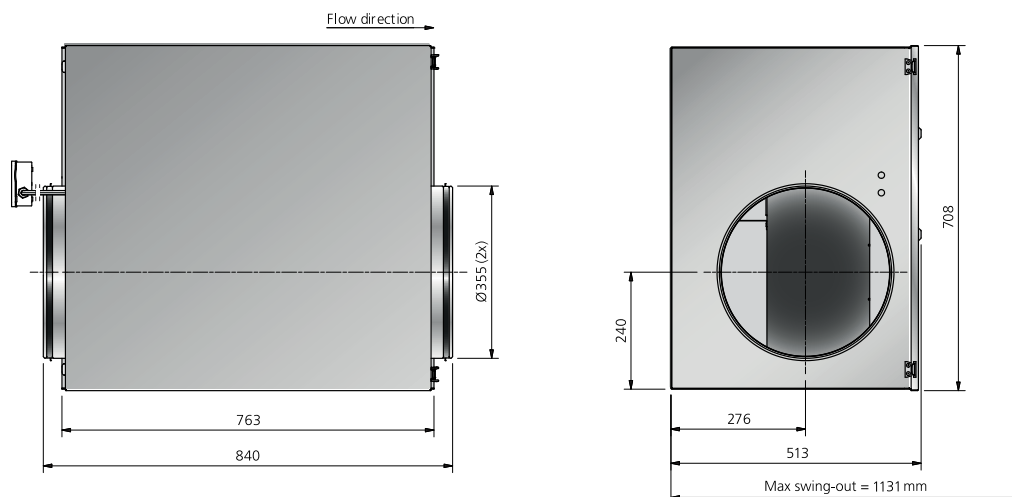
1. 95 V 2. 145 V 3. 185 V 4. 240 V 5. 400 V

MORE INFORMATION



Find out the latest updated information about this product by visiting www.ostberg.com or by scanning QR code.

DIMENSIONS (mm)



IRB 355 D1 ErP

7890114



- Insulated duct fan with circular connections.
- Equipped with 50 mm of thermal and acoustic insulation makes it ideal for handling cold air.
- Designed for high pressure and long, complicated duct runs.
- The design prioritise functionality, durability and longevity.
- Impeller with backward curved blades.
- The external rotor motor has maintenance-free sealed ball-bearings.

- Integrated motor protection.
- Junction box has enclosure class IP 54.
- For speed control a transformer or electronic speed controller can be connected.
- The housing is manufactured from galvanized sheet steel.
- Duct connections are equipped with rubber seals.
- The fan is intended to be installed in a duct system.
- A duct connected fan can be installed outside or in damp environments.

ACCESSORIES

- Mounting clamp MK 355
- Safety grille BSV 355
- Back draught shutter RSK 355
- Louvre shutter VK 355
- Mounting bracket Kit Universal
- Transformer controller VRTE 3
- Transformer controller VRDE 3

TECHNICAL DATA

| | |
|-------------------------------------|-------------|
| Voltage | 230 V |
| Frequency | 50 Hz |
| Phase | 1 ~ |
| Current | 2.08 A |
| Power | 448 W |
| Speed | 1400 r.p.m. |
| Capacitor | 10 µF |
| Max. temp of transported air | 80 °C |
| Sound pressure level, 3 m | 52 dB(A) |
| Weight | 48.2 kg |
| Wiring diagram | 4040005 |

SOUND DATA

| | L _{WA} tot dB (A) | 63 | 125 | 250 | 500 | 1K | 2K | 4K | 8K |
|----------------------------|----------------------------|----|-----|-----|-----|----|----|----|----|
| 5.Surrounding 230 V | 59 | 45 | 56 | 54 | 42 | 40 | 35 | 33 | 29 |
| 5.Outlet 230 V | 75 | 61 | 73 | 69 | 61 | 59 | 57 | 53 | 49 |
| 5.Inlet 230 V | 71 | 59 | 69 | 63 | 51 | 41 | 40 | 37 | 35 |
| 4.Inlet 165 V | 68 | 58 | 67 | 59 | 47 | 38 | 38 | 35 | 32 |
| 3.Inlet 135 V | 58 | 55 | 54 | 48 | 36 | 32 | 27 | 26 | 20 |
| 2.Inlet 110 V | 48 | 44 | 44 | 38 | 30 | 26 | 20 | 18 | 10 |
| 1.Inlet 80 V | 39 | 28 | 36 | 34 | 17 | 16 | 15 | 13 | 10 |

MORE INFORMATION

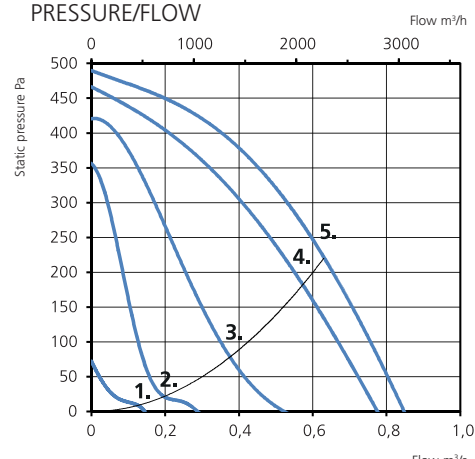


Find out the latest updated information about this product by visiting www.ostberg.com or by scanning QR code.

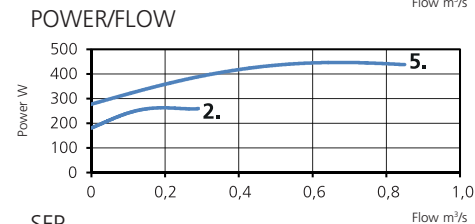
TRANSFORMER STEPS

1. 80 V 2. 110 V 3. 135 V 4. 165 V 5. 230 V

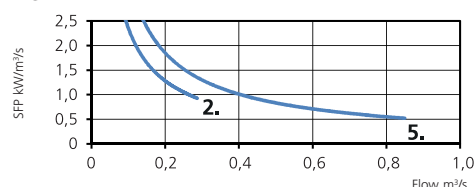
PRESSURE/FLOW



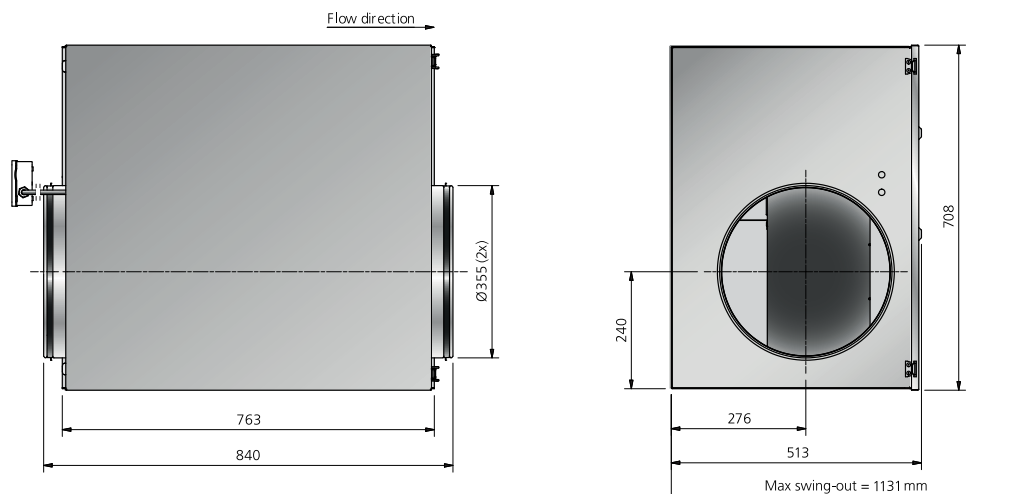
POWER/FLOW



SFP



DIMENSIONS (mm)



INSULATED DUCT FAN WITH CIRCULAR CONNECTIONS

IRB 355 D3 ErP

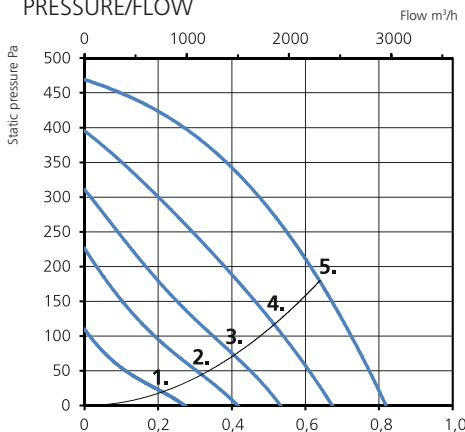
7890115

- Insulated duct fan with circular connections.
- Equipped with 50 mm of thermal and acoustic insulation makes it ideal for handling cold air.
- Designed for high pressure and long, complicated duct runs.
- The design prioritise functionality, durability and longevity.
- Impeller with backward curved blades.
- The external rotor motor has maintenance-free sealed ball-bearings.

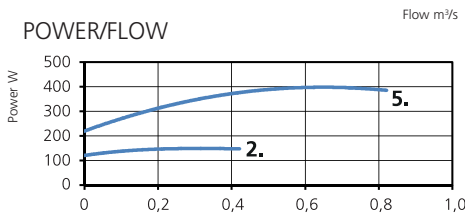
- Integrated motor protection.
- Junction box has enclosure class IP 54.
- For speed control a transformer or electronic speed controller can be connected.
- The housing is manufactured from galvanized sheet steel.
- Duct connections are equipped with rubber seals.
- The fan is intended to be installed in a duct system.
- A duct connected fan can be installed outside or in damp environments.



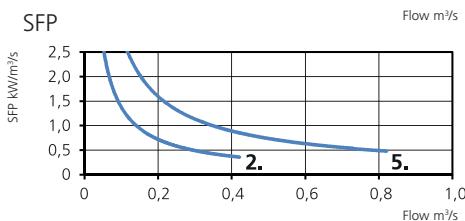
PRESSURE/FLOW



POWER/FLOW



SFP



TECHNICAL DATA

| | |
|------------------------------|-------------|
| Voltage | 400 V |
| Frequency | 50 Hz |
| Phase | 3 ~ |
| Current | 0.76 A |
| Power | 397 W |
| Speed | 1340 r.p.m. |
| Capacitor | |
| Max. temp of transported air | 70 °C |
| Sound pressure level, 3 m | 52 dB(A) |
| Weight | 46.7 kg |
| Wiring diagram | 4040004 |

ACCESSORIES

- Mounting bracket Kit Universal
- Mounting clamp MK 355
- Safety grille BSV 355
- Back draught shutter RSK 355
- Louvre shutter VK 355
- Transformer controller VRTT 1
- Transformer controller VRDT 2

SOUND DATA

| | L_{wa} tot dB (A) | 63 | 125 | 250 | 500 | 1K | 2K | 4K | 8K |
|---------------------|---------------------|----|-----|-----|-----|----|----|----|----|
| 5.Surrounding 400 V | 59 | 46 | 57 | 54 | 42 | 37 | 32 | 30 | 28 |
| 5.Outlet 400 V | 76 | 64 | 73 | 70 | 61 | 59 | 56 | 54 | 48 |
| 5.Inlet 400 V | 71 | 61 | 69 | 63 | 52 | 42 | 40 | 37 | 35 |
| 4.Inlet 240 V | 65 | 57 | 63 | 57 | 44 | 35 | 33 | 32 | 27 |
| 3.Inlet 185 V | 60 | 54 | 57 | 52 | 35 | 28 | 28 | 28 | 21 |
| 2.Inlet 145 V | 53 | 52 | 46 | 45 | 27 | 22 | 24 | 20 | 13 |
| 1.Inlet 95 V | 42 | 40 | 34 | 34 | 15 | 17 | 18 | 13 | 10 |

TRANSFORMER STEPS

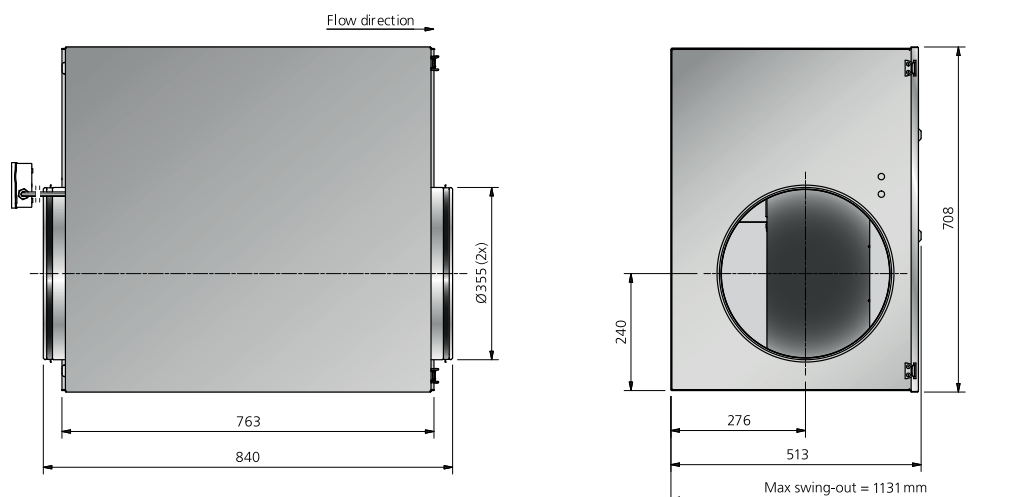
1. 95 V 2. 145 V 3. 185 V 4. 240 V 5. 400 V

MORE INFORMATION



Find out the latest updated information about this product by visiting www.ostberg.com or by scanning QR code.

DIMENSIONS (mm)





- Insulated duct fan with circular connections.
- Equipped with 50 mm of thermal and acoustic insulation makes it ideal for handling cold air.
- Designed for high pressure and long, complicated duct runs.
- The design prioritise functionality, durability and longevity.
- Impeller with backward curved blades.
- The external rotor motor has maintenance-free sealed ball-bearings.

- Integrated motor protection.
- Junction box has enclosure class IP 54.
- For speed control a transformer or electronic speed controller can be connected.
- The housing is manufactured from galvanized sheet steel.
- Duct connections are equipped with rubber seals.
- The fan is intended to be installed in a duct system.
- A duct connected fan can be installed outside or in damp environments.

ACCESSORIES

- Mounting clamp MK 400
- Safety grille BSV 400
- Back draught shutter RSK 400
- Louvre shutter VK 400
- Filterbox FLK 400
- Filterbox FLF 400
- Transformer controller VRRT 1
- Transformer controller VRDT 2

TECHNICAL DATA

| | |
|-------------------------------------|------------|
| Voltage | 400 V |
| Frequency | 50 Hz |
| Phase | 3 ~ |
| Current | 0.76 A |
| Power | 355 W |
| Speed | 930 r.p.m. |
| Capacitor | |
| Max. temp of transported air | 80 °C |
| Sound pressure level, 3 m | 47 dB(A) |
| Weight | 63.2 kg |
| Wiring diagram | 4040004 |

SOUND DATA

| | L _{WA} tot dB (A) | 63 | 125 | 250 | 500 | 1K | 2K | 4K | 8K |
|----------------------------|----------------------------|----|-----|-----|-----|----|----|----|----|
| 5.Surrounding 400 V | 54 | 48 | 49 | 49 | 42 | 36 | 28 | 28 | 28 |
| 5.Outlet 400 V | 75 | 64 | 74 | 64 | 57 | 53 | 51 | 50 | 39 |
| 5.Inlet 400 V | 67 | 59 | 65 | 60 | 54 | 44 | 37 | 34 | 35 |
| 4.Inlet 240 V | 64 | 61 | 57 | 55 | 50 | 39 | 33 | 31 | 32 |
| 3.Inlet 185 V | 59 | 56 | 53 | 51 | 45 | 34 | 30 | 27 | 28 |
| 2.Inlet 145 V | 52 | 49 | 47 | 46 | 37 | 28 | 26 | 22 | 23 |
| 1.Inlet 95 V | 42 | 38 | 36 | 36 | 21 | 18 | 16 | 16 | 11 |

MORE INFORMATION

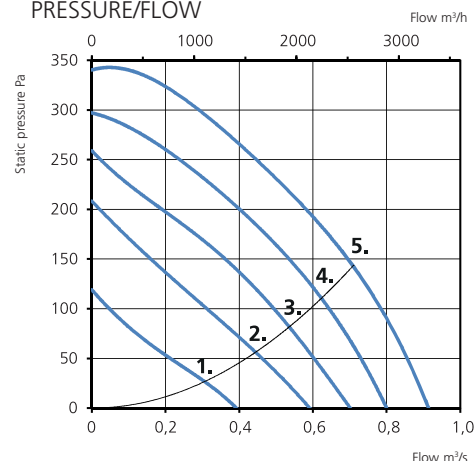


Find out the latest updated information about this product by visiting www.ostberg.com or by scanning QR code.

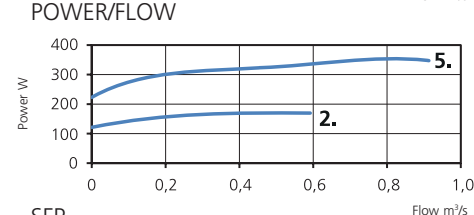
TRANSFORMER STEPS

1. 95 V 2. 145 V 3. 185 V 4. 240 V 5. 400 V

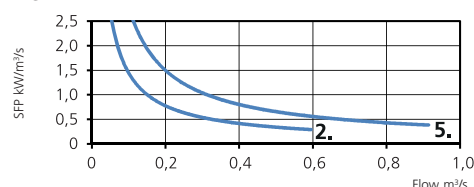
PRESSURE/FLOW



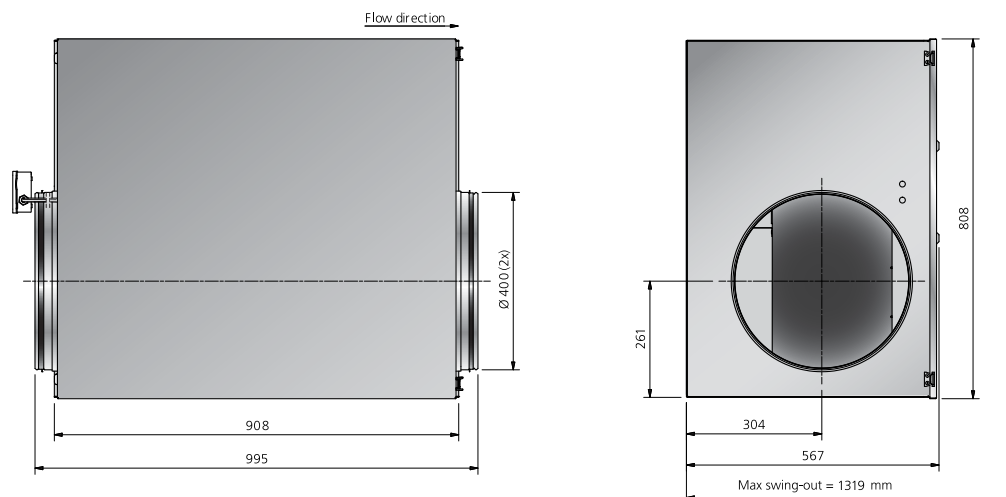
POWER/FLOW



SFP



DIMENSIONS (mm)



INSULATED DUCT FAN WITH CIRCULAR CONNECTIONS

IRB 400 D1 ErP

7890173

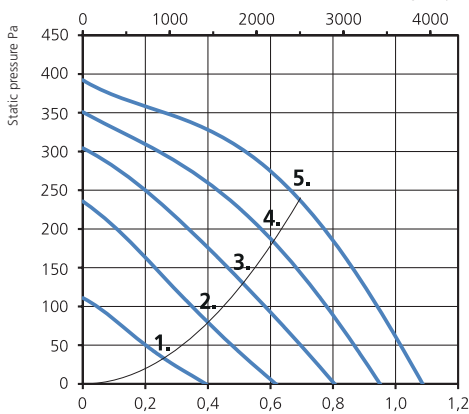
- Insulated duct fan with circular connections.
- Equipped with 50 mm of thermal and acoustic insulation makes it ideal for handling cold air.
- Designed for high pressure and long, complicated duct runs.
- The design prioritise functionality, durability and longevity.
- Operational in both 50 and 60 Hz.
- Impeller with backward curved blades.
- The external rotor motor has maintenance-free sealed ball-bearings.

- Integrated motor protection.
- Junction box has enclosure class IP 54.
- For speed control a transformer or electronic speed controller can be connected.
- The housing is manufactured from galvanized sheet steel.
- Duct connections are equipped with rubber seals.
- The fan is intended to be installed in a duct system.
- A duct connected fan can be installed outside or in damp environments.

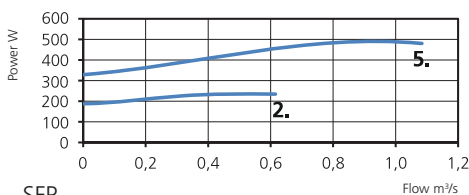


This product is not sold within the EU.

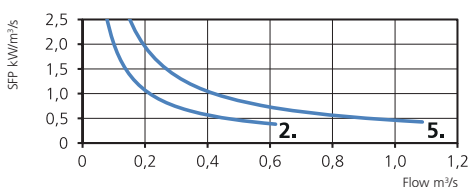
PRESSURE/FLOW



POWER/FLOW



SFP



TECHNICAL DATA

| | |
|-------------------------------------|-------------|
| Voltage | 230 V |
| Frequency | 50 Hz |
| Phase | 1 ~ |
| Current | 2.3 A |
| Power | 496 W |
| Speed | 1320 r.p.m. |
| Capacitor | 12 µF |
| Max. temp of transported air | 60 °C |
| Sound pressure level, 3 m | 51 dB(A) |
| Weight | 62.4 kg |
| Wiring diagram | 4040005 |

ACCESSORIES

- Mounting clamp MK 400
- Safety grille BSV 400
- Back draught shutter RSK 400
- Louvre shutter VK 400
- Filterbox FLK 400
- Filterbox FLF 400
- Transformer controller VRTE 3
- Transformer controller VRDE 3

SOUND DATA

| | L_{wa} tot dB (A) | 63 | 125 | 250 | 500 | 1K | 2K | 4K | 8K |
|----------------------------|---------------------|----|-----|-----|-----|----|----|----|----|
| 5.Surrounding 230 V | 58 | 42 | 54 | 55 | 46 | 39 | 36 | 33 | 29 |
| 5.Outlet 230 V | 75 | 61 | 71 | 70 | 62 | 67 | 61 | 57 | 49 |
| 5.Inlet 230 V | 69 | 61 | 66 | 62 | 54 | 47 | 44 | 39 | 37 |
| 4.Inlet 165 V | 65 | 57 | 63 | 58 | 50 | 43 | 40 | 36 | 34 |
| 3.Inlet 135 V | 62 | 54 | 60 | 54 | 46 | 38 | 35 | 32 | 31 |
| 2.Inlet 110 V | 60 | 50 | 59 | 49 | 36 | 31 | 29 | 26 | 22 |
| 1.Inlet 80 V | 47 | 44 | 43 | 36 | 23 | 20 | 18 | 13 | 10 |

TRANSFORMER STEPS

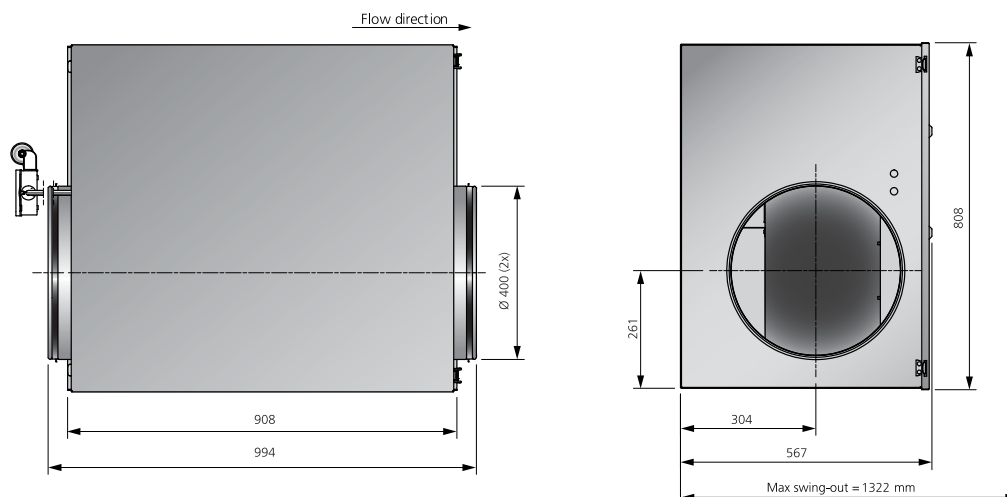
1. 80 V 2. 110 V 3. 135 V 4. 165 V 5. 230 V

MORE INFORMATION



Find out the latest updated information about this product by visiting www.ostberg.com or by scanning QR code.

DIMENSIONS (mm)





- Insulated duct fan with circular connections.
- Equipped with 50 mm of thermal and acoustic insulation makes it ideal for handling cold air.
- Designed for high pressure and long, complicated duct runs.
- The design prioritise functionality, durability and longevity.
- Impeller with backward curved blades.
- The external rotor motor has maintenance-free sealed ball-bearings.

- Integrated motor protection.
- Junction box has enclosure class IP 54.
- For speed control a transformer or electronic speed controller can be connected.
- The housing is manufactured from galvanized sheet steel.
- Duct connections are equipped with rubber seals.
- The fan is intended to be installed in a duct system.
- A duct connected fan can be installed outside or in damp environments.

ACCESSORIES

- Mounting clamp MK 400
- Safety grille BSV 400
- Back draught shutter RSK 400
- Louvre shutter VK 400
- Filterbox FLK 400
- Filterbox FLF 400
- Transformer controller VRTT 4
- Transformer controller VRDT 4

TECHNICAL DATA

| | |
|-------------------------------------|-------------|
| Voltage | 400 V |
| Frequency | 50 Hz |
| Phase | 3 ~ |
| Current | 1.45 A |
| Power | 739 W |
| Speed | 1440 r.p.m. |
| Capacitor | |
| Max. temp of transported air | 80 °C |
| Sound pressure level, 3 m | 53 dB(A) |
| Weight | 68.4 kg |
| Wiring diagram | 4040004 |

SOUND DATA

| | L_{wa} tot dB (A) | 63 | 125 | 250 | 500 | 1K | 2K | 4K | 8K |
|----------------------------|---------------------|----|-----|-----|-----|----|----|----|----|
| 5.Surrounding 400 V | 60 | 48 | 56 | 57 | 46 | 44 | 36 | 35 | 31 |
| 5.Outlet 400 V | 78 | 65 | 76 | 73 | 66 | 64 | 59 | 59 | 54 |
| 5.Inlet 400 V | 71 | 60 | 69 | 65 | 60 | 54 | 45 | 42 | 41 |
| 4.Inlet 240 V | 69 | 59 | 66 | 62 | 58 | 52 | 42 | 39 | 38 |
| 3.Inlet 185 V | 65 | 56 | 63 | 58 | 54 | 51 | 36 | 35 | 34 |
| 2.Inlet 145 V | 59 | 56 | 53 | 50 | 48 | 43 | 30 | 28 | 26 |
| 1.Inlet 95 V | 47 | 43 | 43 | 38 | 35 | 19 | 18 | 15 | 11 |

MORE INFORMATION

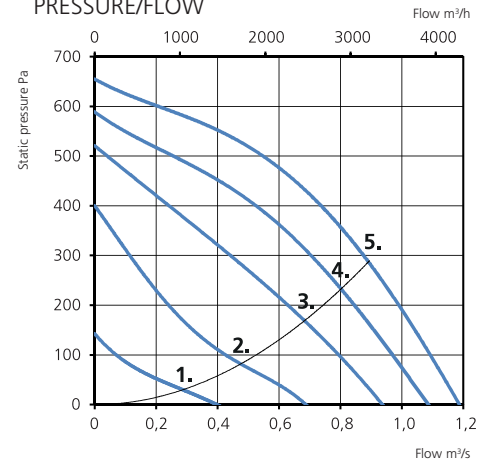


Find out the latest updated information about this product by visiting www.ostberg.com or by scanning QR code.

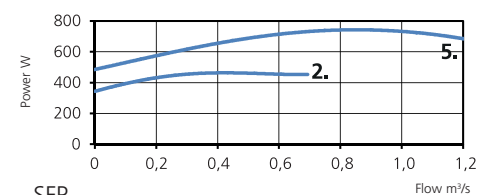
TRANSFORMER STEPS

1. 95 V 2. 145 V 3. 185 V 4. 240 V 5. 400 V

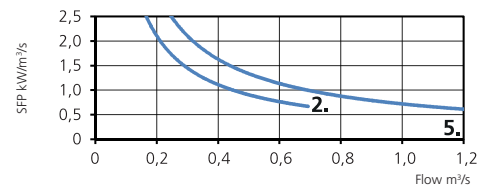
PRESSURE/FLOW



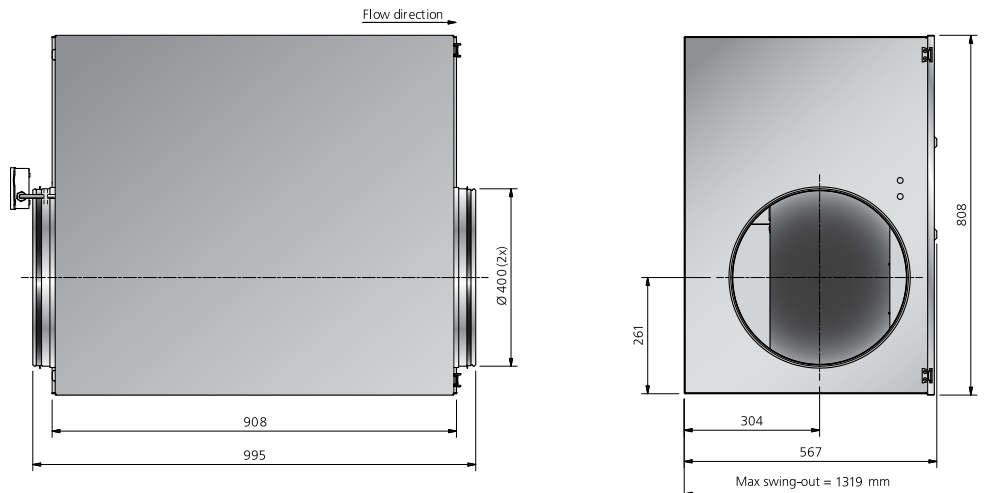
POWER/FLOW



SFP



DIMENSIONS (mm)



INSULATED DUCT FAN WITH CIRCULAR CONNECTIONS

IRB 500 B3 ErP

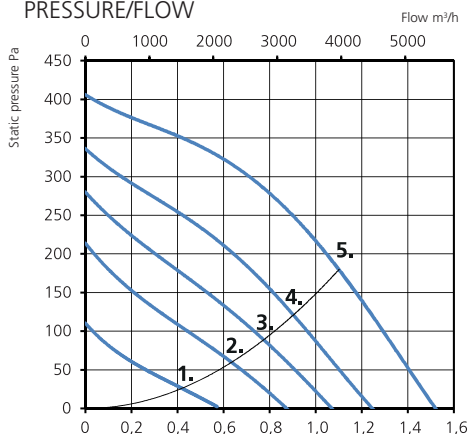
7890118

- Insulated duct fan with circular connections.
- Equipped with 50 mm of thermal and acoustic insulation makes it ideal for handling cold air.
- Designed for high pressure and long, complicated duct runs.
- The design prioritise functionality, durability and longevity.
- Impeller with backward curved blades.
- The external rotor motor has maintenance-free sealed ball-bearings.

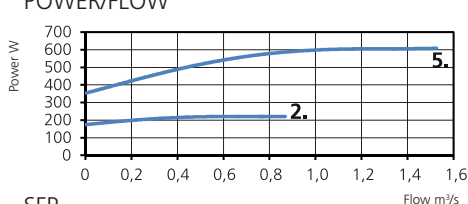
- Integrated motor protection.
- Junction box has enclosure class IP 54.
- For speed control a transformer or electronic speed controller can be connected.
- The housing is manufactured from galvanized sheet steel.
- Duct connections are equipped with rubber seals.
- The fan is intended to be installed in a duct system.
- A duct connected fan can be installed outside or in damp environments.



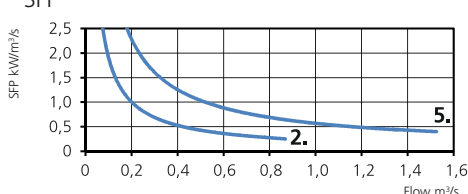
PRESSURE/FLOW



POWER/FLOW



SFP



TECHNICAL DATA

| | |
|-------------------------------------|------------|
| Voltage | 400 V |
| Frequency | 50 Hz |
| Phase | 3 ~ |
| Current | 1.42 A |
| Power | 611 W |
| Speed | 890 r.p.m. |
| Capacitor | |
| Max. temp of transported air | 75 °C |
| Sound pressure level, 3 m | 53 dB(A) |
| Weight | 87 kg |
| Wiring diagram | 4040004 |

ACCESSORIES

- Mounting clamp MK 500
- Safety grille BSV 500
- Back draught shutter RSK 500
- Louvre shutter VK 500
- Transformer controller VRDT 2
- Transformer controller VRTT 2

SOUND DATA

| | L_{WA} tot dB (A) | 63 | 125 | 250 | 500 | 1K | 2K | 4K | 8K |
|----------------------------|---------------------|----|-----|-----|-----|----|----|----|----|
| 5.Surrounding 400 V | 60 | 53 | 59 | 51 | 39 | 36 | 33 | 31 | 28 |
| 5.Outlet 400 V | 74 | 66 | 73 | 63 | 58 | 58 | 54 | 56 | 46 |
| 5.Inlet 400 V | 68 | 60 | 67 | 56 | 45 | 43 | 40 | 39 | 39 |
| 4.Inlet 240 V | 62 | 58 | 58 | 49 | 38 | 38 | 35 | 35 | 33 |
| 3.Inlet 185 V | 60 | 59 | 53 | 43 | 33 | 33 | 31 | 32 | 28 |
| 2.Inlet 145 V | 55 | 54 | 46 | 37 | 27 | 27 | 28 | 26 | 21 |
| 1.Inlet 95 V | 38 | 35 | 34 | 25 | 17 | 19 | 21 | 16 | 14 |

TRANSFORMER STEPS

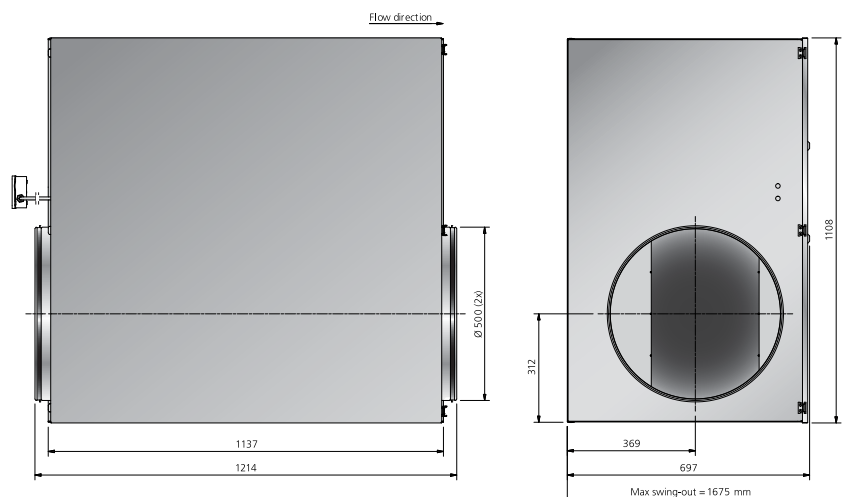
1. 95 V 2. 145 V 3. 185 V 4. 240 V 5. 400 V

MORE INFORMATION



Find out the latest updated information about this product by visiting www.ostberg.com or by scanning QR code.

DIMENSIONS (mm)





- Insulated duct fan with circular connections.
- Equipped with 50 mm of thermal and acoustic insulation makes it ideal for handling cold air.
- Designed for high pressure and long, complicated duct runs.
- The design prioritise functionality, durability and longevity.
- Impeller with backward curved blades.
- The external rotor motor has maintenance-free sealed ball-bearings.

- Integrated motor protection.
- Junction box has enclosure class IP 54.
- For speed control a transformer or electronic speed controller can be connected.
- The housing is manufactured from galvanized sheet steel.
- Duct connections are equipped with rubber seals.
- The fan is intended to be installed in a duct system.
- A duct connected fan can be installed outside or in damp environments.

ACCESSORIES

- Mounting clamp MK 500
- Safety grille BSV 500
- Back draught shutter RSK 500
- Louvre shutter VK 500
- Transformer controller VRDT 4
- Transformer controller VRTT 4

TECHNICAL DATA

| | |
|-------------------------------------|-------------|
| Voltage | 400 V |
| Frequency | 50 Hz |
| Phase | 3 ~ |
| Current | 2.58 A |
| Power | 1130 W |
| Speed | 1371 r.p.m. |
| Capacitor | |
| Max. temp of transported air | 80 °C |
| Sound pressure level, 3 m | 58 dB(A) |
| Weight | 89.2 kg |
| Wiring diagram | 4040004 |

SOUND DATA

| | L_{wa} tot dB (A) | 63 | 125 | 250 | 500 | 1K | 2K | 4K | 8K |
|----------------------------|---------------------|----|-----|-----|-----|----|----|----|----|
| 5.Surrounding 400 V | 65 | 51 | 63 | 60 | 50 | 41 | 39 | 36 | 32 |
| 5.Outlet 400 V | 81 | 64 | 78 | 74 | 71 | 70 | 64 | 63 | 62 |
| 5.Inlet 400 V | 74 | 62 | 73 | 65 | 54 | 51 | 49 | 47 | 46 |
| 4.Inlet 240 V | 70 | 58 | 69 | 59 | 48 | 47 | 45 | 43 | 42 |
| 3.Inlet 185 V | 68 | 56 | 67 | 56 | 43 | 42 | 41 | 41 | 37 |
| 2.Inlet 145 V | 63 | 55 | 61 | 50 | 37 | 38 | 36 | 37 | 32 |
| 1.Inlet 95 V | 54 | 52 | 49 | 39 | 27 | 29 | 32 | 27 | 23 |

MORE INFORMATION

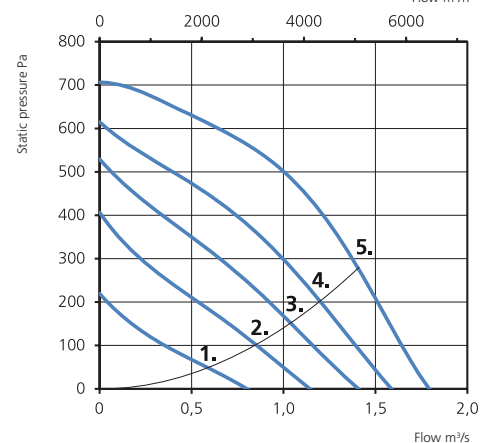


Find out the latest updated information about this product by visiting www.ostberg.com or by scanning QR code.

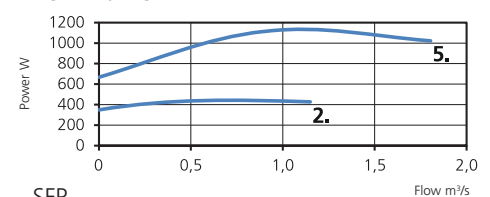
TRANSFORMER STEPS

1. 95 V 2. 145 V 3. 185 V 4. 240 V 5. 400 V

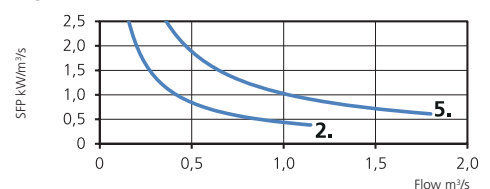
PRESSURE/FLOW



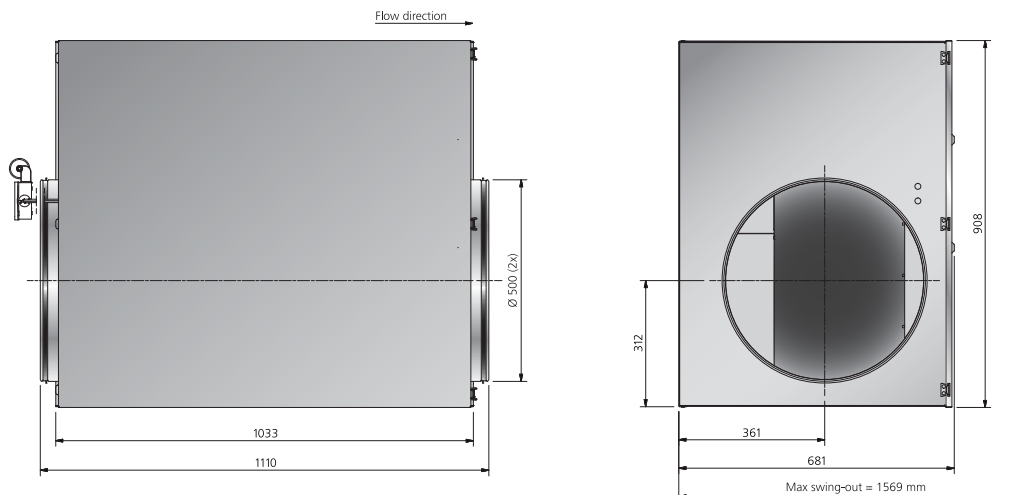
POWER/FLOW



SFP



DIMENSIONS (mm)



INSULATED DUCT FAN WITH CIRCULAR CONNECTIONS

IRB 125 B1 EC

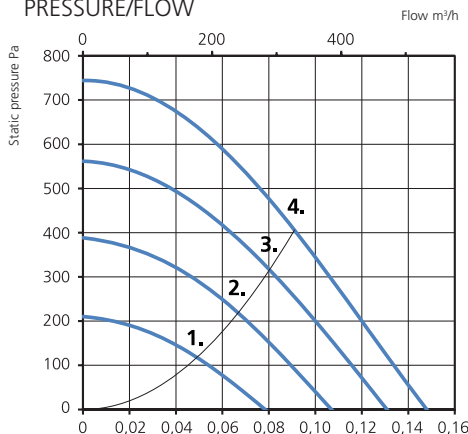
7890207

- Insulated duct fan with circular connections.
- Equipped with 50 mm of thermal and acoustic insulation makes it ideal for handling cold air.
- Designed for high pressure and long, complicated duct runs.
- The design prioritise functionality, durability and longevity.
- Impeller with backward curved blades.
- The external rotor motor has maintenance-free sealed ball-bearings and is very energy efficient.
- Speed controlling can be done with the built-in

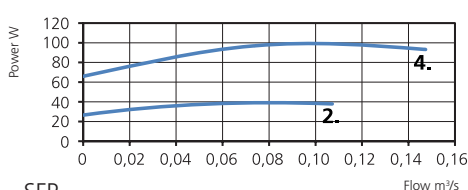
- potentiometer, 0-10 V alt. external control.
- Integrated motor protection.
- Junction box has enclosure class IP 54.
- The housing is manufactured from galvanized sheet steel.
- Duct connections are equipped with rubber seals.
- The fan is intended to be installed in a duct system.
- A duct connected fan can be installed outside or in damp environments.



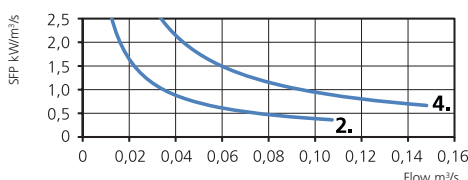
PRESSURE/FLOW



POWER/FLOW



SFP



TECHNICAL DATA

| | |
|------------------------------|-------------|
| Voltage | 230 V |
| Frequency | 50/60 Hz |
| Phase | 1 ~ |
| Current | 0.81 A |
| Power | 99 W |
| Speed | 3560 r.p.m. |
| Capacitor | |
| Max. temp of transported air | 60 °C |
| Sound pressure level, 3 m | 44 dB(A) |
| Weight | 11.8 kg |
| Wiring diagram | 4040143 |

ACCESSORIES

- Mounting bracket Kit Universal
- Mounting clamp MK 125
- Safety grille BSV 125
- Back draught shutter RSK 125
- Louvre shutter VK 125
- Silencer LDC 125
- Filterbox FLF 125
- Filterbox FLK 125
- Louvre YG 125
- Speed controller MS EC
- Pressure regulator CALAIR-PR-230V
- Pressure regulator FKP-R

SOUND DATA

| | L_{wa} tot dB (A) | 63 | 125 | 250 | 500 | 1K | 2K | 4K | 8K |
|--------------------|---------------------|----|-----|-----|-----|----|----|----|----|
| 4.Surrounding 10 V | 51 | 41 | 41 | 44 | 49 | 38 | 36 | 35 | 29 |
| 4.Outlet 10 V | 82 | 60 | 64 | 68 | 80 | 74 | 72 | 66 | 59 |
| 4.Inlet 10 V | 61 | 49 | 58 | 54 | 55 | 47 | 48 | 45 | 36 |
| 3.Inlet 8 V | 60 | 50 | 56 | 52 | 55 | 43 | 45 | 41 | 32 |
| 2.Inlet 7 V | 56 | 45 | 52 | 51 | 41 | 38 | 41 | 36 | 25 |
| 1.Inlet 5 V | 53 | 39 | 46 | 52 | 34 | 30 | 32 | 26 | 14 |

CONTROL VOLTAGE

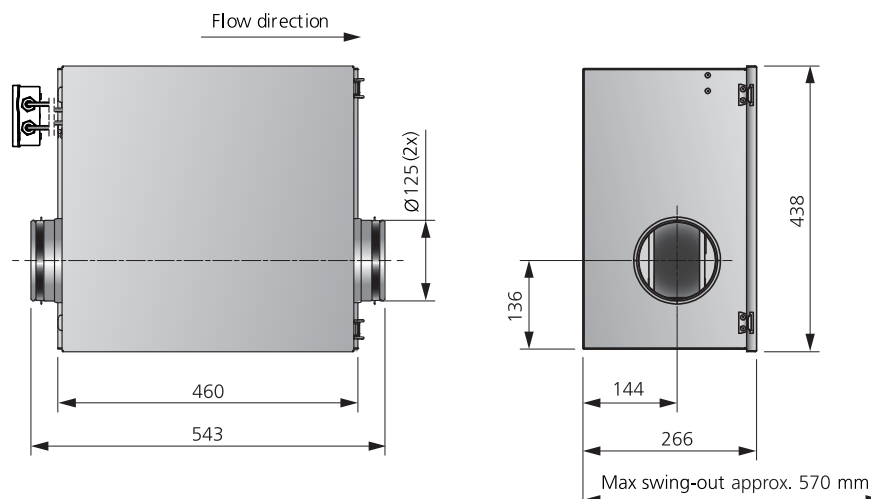
1. 5 V 2. 7 V 3. 8 V 4. 10 V

MORE INFORMATION



Find out the latest updated information about this product by visiting www.ostberg.com or by scanning QR code.

DIMENSIONS (mm)





- Insulated duct fan with circular connections.
- Equipped with 50 mm of thermal and acoustic insulation makes it ideal for handling cold air.
- Designed for high pressure and long, complicated duct runs.
- The design prioritise functionality, durability and longevity.
- Impeller with backward curved blades.
- The external rotor motor has maintenance-free sealed ball-bearings and is very energy efficient.
- Speed controlling can be done with the built-in

potentiometer, 0-10 V alt. external control.

- Integrated motor protection.
- Junction box has enclosure class IP 54.
- The housing is manufactured from galvanized sheet steel.
- Duct connections are equipped with rubber seals.
- The fan is intended to be installed in a duct system.
- A duct connected fan can be installed outside or in damp environments.

ACCESSORIES

- Mounting bracket Kit Universal
- Mounting clamp MK 160
- Safety grille BSV 160
- Back draught shutter RSK 160
- Louvre shutter VK 160
- Silencer LDC 160
- Filterbox FLF 160
- Filterbox FLK 160
- Louvre YG 160
- Speed controller MS EC
- Pressure regulator CALAIR-PR-230V
- Pressure regulator FKP-R

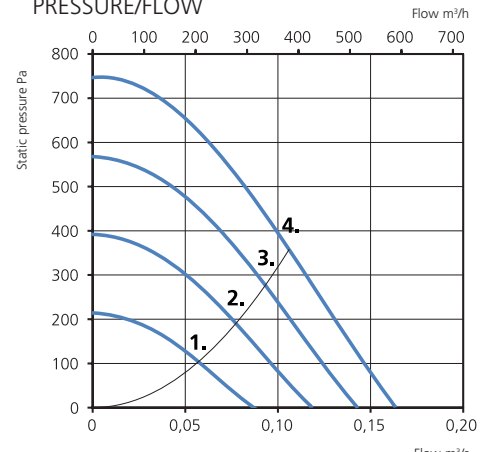
TECHNICAL DATA

| | |
|-------------------------------------|-------------|
| Voltage | 230 V |
| Frequency | 50/60 Hz |
| Phase | 1 ~ |
| Current | 0.82 A |
| Power | 102 W |
| Speed | 3590 r.p.m. |
| Capacitor | |
| Max. temp of transported air | 60 °C |
| Sound pressure level, 3 m | 45 dB(A) |
| Weight | 11.9 kg |
| Wiring diagram | 4040143 |

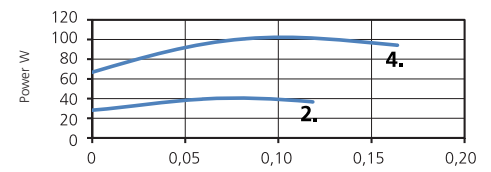
SOUND DATA

| | L_{WA} tot dB (A) | 63 | 125 | 250 | 500 | 1K | 2K | 4K | 8K |
|---------------------------|---------------------|----|-----|-----|-----|----|----|----|----|
| 4.Surrounding 10 V | 52 | 43 | 41 | 44 | 49 | 38 | 36 | 34 | 29 |
| 4.Outlet 10 V | 83 | 60 | 65 | 69 | 81 | 74 | 72 | 69 | 61 |
| 4.Inlet 10 V | 63 | 53 | 59 | 56 | 57 | 47 | 50 | 45 | 37 |
| 3.Inlet 8 V | 62 | 54 | 57 | 53 | 58 | 43 | 47 | 42 | 33 |
| 2.Inlet 7 V | 57 | 47 | 54 | 52 | 43 | 38 | 43 | 37 | 27 |
| 1.Inlet 5 V | 52 | 42 | 47 | 50 | 35 | 31 | 34 | 27 | 15 |

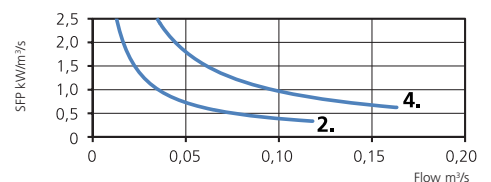
PRESSURE/FLOW



POWER/FLOW



SFP



MORE INFORMATION

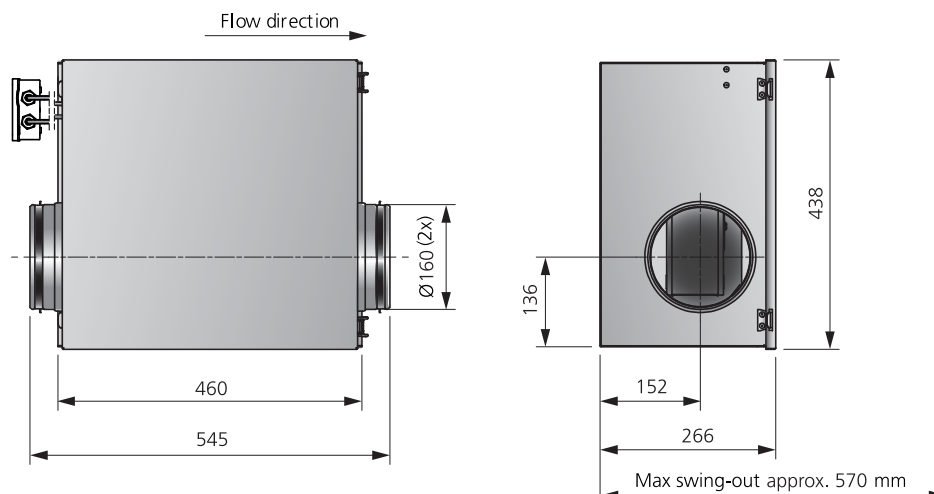


Find out the latest updated information about this product by visiting www.ostberg.com or by scanning QR code.

CONTROL VOLTAGE

1. 5 V 2. 7 V 3. 8 V 4. 10 V

DIMENSIONS (mm)



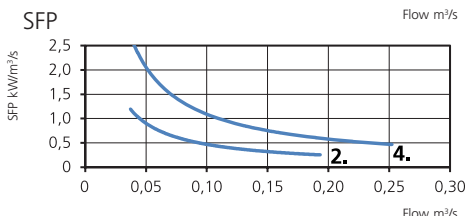
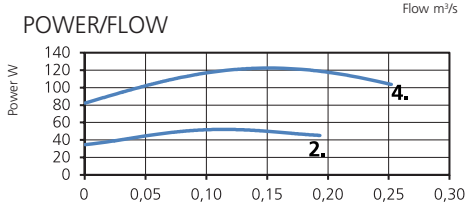
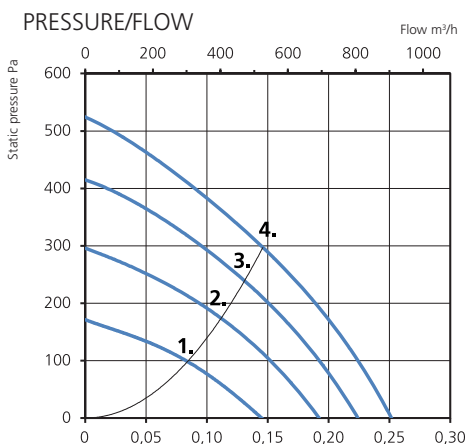
INSULATED DUCT FAN WITH CIRCULAR CONNECTIONS

IRB 200 A1 EC

7880057

- Insulated duct fan with circular connections.
- Equipped with 50 mm of thermal and acoustic insulation makes it ideal for handling cold air.
- Designed for high pressure and long, complicated duct runs.
- The design prioritise functionality, durability and longevity.
- Impeller with backward curved blades.
- The external rotor motor has maintenance-free sealed ball-bearings and is very energy efficient.

- Speed controlling can be done with the built-in potentiometer, 0-10 V alt. external control.
- Integrated motor protection.
- Junction box enclosure class IP 54.
- The housing is manufactured from galvanized sheet steel.
- Duct connections are equipped with rubber seals.
- The fan is intended to be installed in a duct system.
- A duct connected fan can be installed outside or in damp environments.



TECHNICAL DATA

| | |
|-------------------------------------|-------------|
| Voltage | 230 V |
| Frequency | 50/60 Hz |
| Phase | 1 ~ |
| Current | 0.99 A |
| Power | 121 W |
| Speed | 2900 r.p.m. |
| Capacitor | |
| Max. temp of transported air | 60 °C |
| Sound pressure level, 3 m | 46 dB(A) |
| Weight | 18.6 kg |
| Wiring diagram | 4040180 |

ACCESSORIES

- Mounting bracket Kit Universal
- Mounting clamp MK 200
- Safety grille BSV 200
- Back draught shutter RSK 200
- Louvre YG 200
- Louvre shutter VK 200
- Filterbox FLK 200
- Filterbox FLF 200
- Silencer LDC 200
- Speed controller MS EC
- Pressure regulator CALAIR-PR-230V
- Pressure regulator FKP-R

SOUND DATA

| | L_{wa} tot dB (A) | 63 | 125 | 250 | 500 | 1K | 2K | 4K | 8K |
|---------------------------|---------------------|----|-----|-----|-----|----|----|----|----|
| 4.Surrounding 10 V | 53 | 36 | 42 | 52 | 44 | 39 | 40 | 39 | 35 |
| 4.Outlet 10 V | 72 | 57 | 63 | 67 | 64 | 59 | 65 | 59 | 51 |
| 4.Inlet 10 V | 66 | 55 | 61 | 63 | 54 | 51 | 49 | 47 | 41 |
| 3.Inlet 8 V | 64 | 52 | 59 | 61 | 50 | 48 | 46 | 44 | 38 |
| 2.Inlet 7 V | 61 | 50 | 57 | 59 | 45 | 44 | 41 | 39 | 32 |
| 1.Inlet 5 V | 56 | 45 | 52 | 53 | 38 | 37 | 33 | 28 | 20 |

CONTROL VOLTAGE

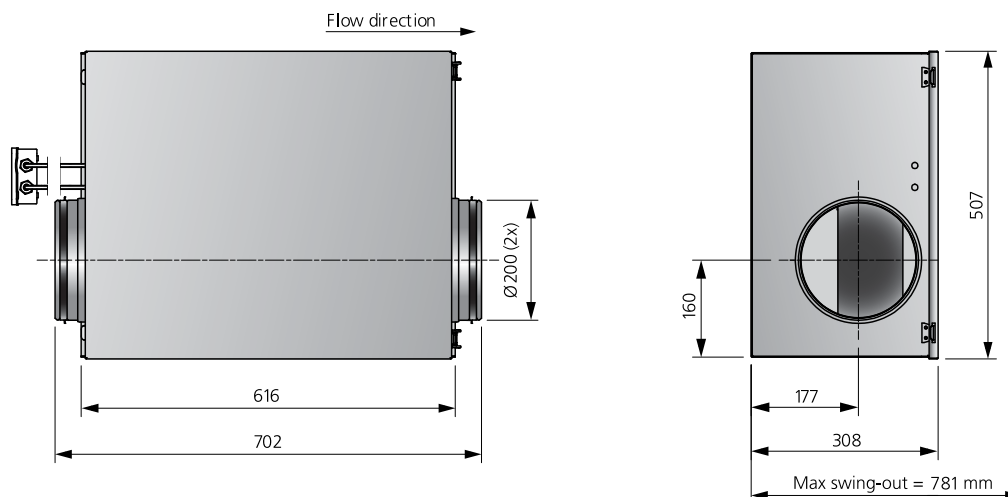
1. 5 V 2. 7 V 3. 8 V 4. 10 V

MORE INFORMATION



Find out the latest updated information about this product by visiting www.ostberg.com or by scanning QR code.

DIMENSIONS (mm)





- Insulated duct fan with circular connections.
- Equipped with 50 mm of thermal and acoustic insulation makes it ideal for handling cold air.
- Designed for high pressure and long, complicated duct runs.
- The design prioritise functionality, durability and longevity.
- Impeller with backward curved blades.
- The external rotor motor has maintenance-free sealed ball-bearings and is very energy efficient.

- Speed controlling can be done with the built-in potentiometer, 0-10 V alt. external control.
- Integrated motor protection.
- Junction box has enclosure class IP 54.
- The housing is manufactured from galvanized sheet steel.
- Duct connections are equipped with rubber seals.
- The fan is intended to be installed in a duct system.
- A duct connected fan can be installed outside or in damp environments.

ACCESSORIES

- Mounting bracket Kit Universal
- Mounting clamp MK 200
- Safety grille BSV 200
- Back draught shutter RSK 200
- Louvre YG 200
- Louvre shutter VK 200
- Filterbox FLK 200
- Filterbox FLF 200
- Silencer LDC 200
- Speed controller MS EC
- Pressure regulator CALAIR-PR-230V
- Pressure regulator FKP-R

TECHNICAL DATA

| | |
|-------------------------------------|-------------|
| Voltage | 230 V |
| Frequency | 50/60 Hz |
| Phase | 1 ~ |
| Current | 1.24 A |
| Power | 161 W |
| Speed | 2890 r.p.m. |
| Capacitor | |
| Max. temp of transported air | 50 °C |
| Sound pressure level, 3 m | 52 dB(A) |
| Weight | 18.8 kg |
| Wiring diagram | 4040143 |

SOUND DATA

| | L_{wa} tot dB (A) | 63 | 125 | 250 | 500 | 1K | 2K | 4K | 8K |
|---------------------------|---------------------|----|-----|-----|-----|----|----|----|----|
| 4.Surrounding 10 V | 59 | 44 | 51 | 58 | 51 | 42 | 37 | 32 | 29 |
| 4.Outlet 10 V | 77 | 64 | 69 | 73 | 71 | 66 | 66 | 62 | 54 |
| 4.Inlet 10 V | 71 | 59 | 67 | 67 | 61 | 52 | 46 | 45 | 37 |
| 3.Inlet 8 V | 69 | 58 | 65 | 66 | 58 | 49 | 43 | 42 | 35 |
| 2.Inlet 7 V | 66 | 56 | 62 | 64 | 52 | 43 | 38 | 36 | 30 |
| 1.Inlet 6 V | 64 | 53 | 58 | 63 | 47 | 38 | 33 | 30 | 24 |

MORE INFORMATION

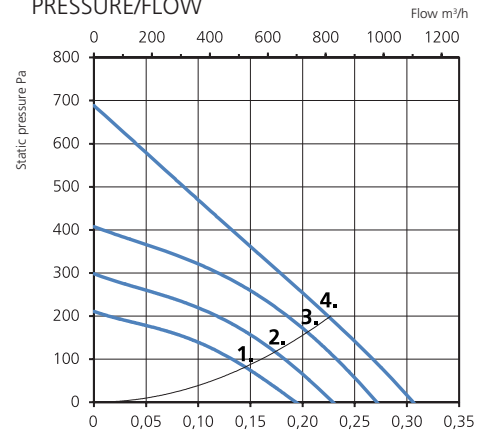


Find out the latest updated information about this product by visiting www.ostberg.com or by scanning QR code.

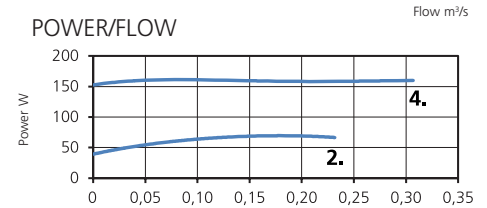
CONTROL VOLTAGE

1. 6 V 2. 7 V 3. 8 V 4. 10 V

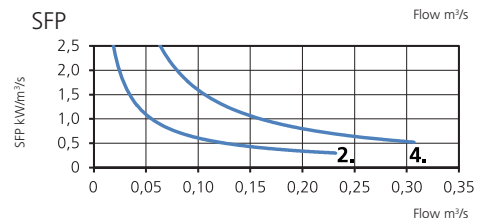
PRESSURE/FLOW



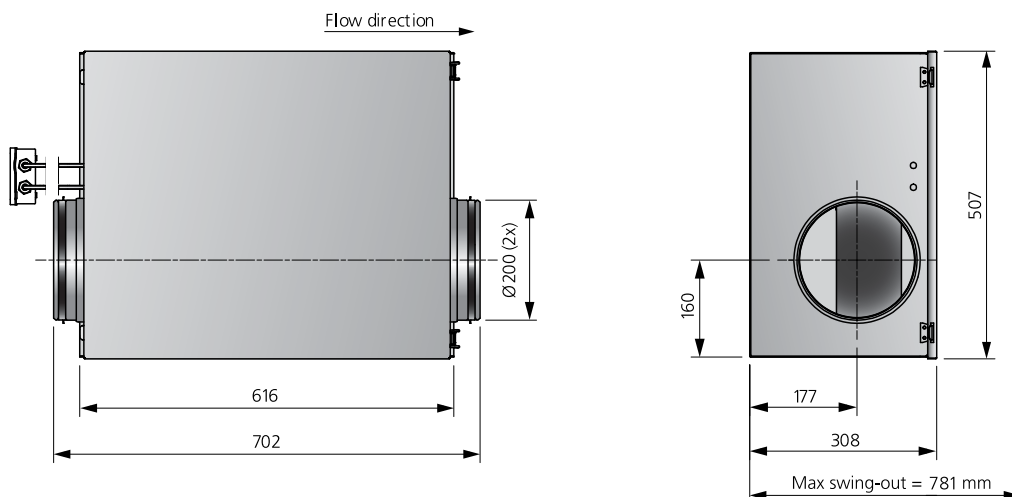
POWER/FLOW



SFP



DIMENSIONS (mm)



INSULATED DUCT FAN WITH CIRCULAR CONNECTIONS

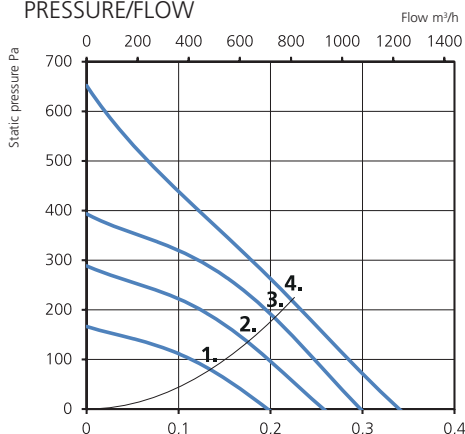
IRB 250 A1 EC

7890007

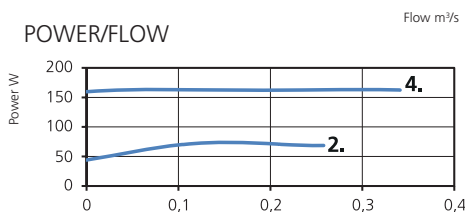
- Insulated duct fan with circular connections.
- Equipped with 50 mm of thermal and acoustic insulation makes it ideal for handling cold air.
- Designed for high pressure and long, complicated duct runs.
- The design prioritise functionality, durability and longevity.
- Impeller with backward curved blades.
- The external rotor motor has maintenance-free sealed ball-bearings and is very energy efficient.
- Speed controlling can be done with the built-in potentiometer, 0-10 V alt. external control.
- Integrated motor protection.
- Junction box has enclosure class IP 54.
- The housing is manufactured from galvanized sheet steel.
- Duct connections are equipped with rubber seals.
- The fan is intended to be installed in a duct system.
- A duct connected fan can be installed outside or in damp environments.



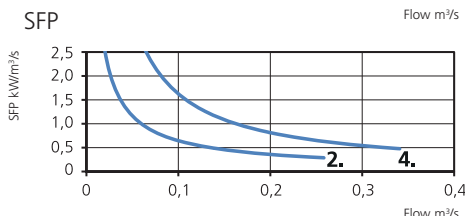
PRESSURE/FLOW



POWER/FLOW



SFP



TECHNICAL DATA

| | |
|-------------------------------------|-------------|
| Voltage | 230 V |
| Frequency | 50/60 Hz |
| Phase | 1 ~ |
| Current | 1.27 A |
| Power | 163 W |
| Speed | 2760 r.p.m. |
| Capacitor | |
| Max. temp of transported air | 50 °C |
| Sound pressure level, 3 m | 53 dB(A) |
| Weight | 17.9 kg |
| Wiring diagram | 4040143 |

ACCESSORIES

- Mounting bracket Kit Universal
- Mounting clamp MK 250
- Safety grille BSV 250
- Back draught shutter RSK 250
- Louvre YG 250
- Louvre shutter VK 250
- Filterbox FLK 250
- Filterbox FLF 250
- Silencer LDC 250
- Speed controller MS EC
- Pressure regulator CALAIR-PR-230V
- Pressure regulator FKP-R

SOUND DATA

| | L_{wa} tot dB (A) | 63 | 125 | 250 | 500 | 1K | 2K | 4K | 8K |
|---------------------------|---------------------|----|-----|-----|-----|----|----|----|----|
| 4.Surrounding 10 V | 60 | 42 | 49 | 59 | 50 | 42 | 37 | 32 | 29 |
| 4.Outlet 10 V | 78 | 63 | 68 | 74 | 68 | 68 | 70 | 64 | 54 |
| 4.Inlet 10 V | 70 | 61 | 64 | 68 | 57 | 52 | 51 | 49 | 40 |
| 3.Inlet 8 V | 69 | 57 | 63 | 67 | 53 | 50 | 48 | 47 | 38 |
| 2.Inlet 7 V | 65 | 55 | 60 | 62 | 48 | 46 | 44 | 41 | 32 |
| 1.Inlet 5.5 V | 61 | 50 | 54 | 59 | 42 | 38 | 36 | 31 | 21 |

CONTROL VOLTAGE

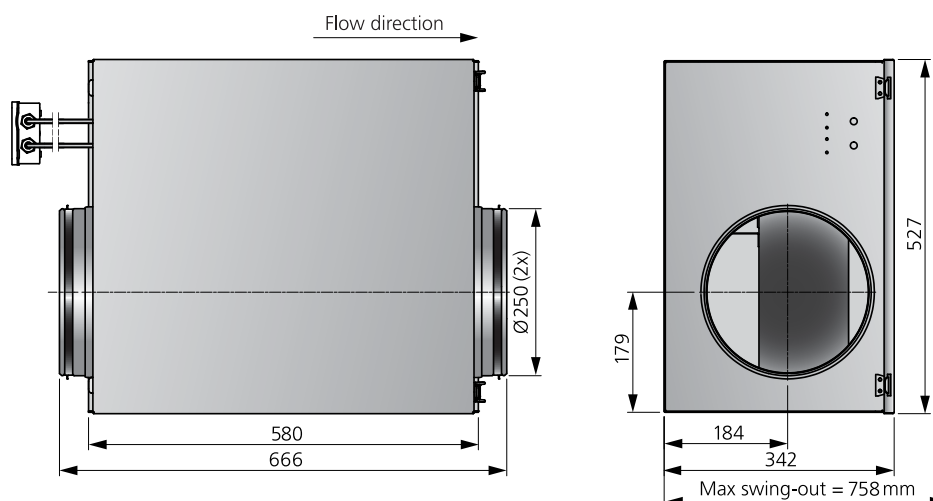
1. 5.5 V 2. 7 V 3. 8 V 4. 10 V

MORE INFORMATION



Find out the latest updated information about this product by visiting www.ostberg.com or by scanning QR code.

DIMENSIONS (mm)





- Insulated duct fan with circular connections.
- Equipped with 50 mm of thermal and acoustic insulation makes it ideal for handling cold air.
- Designed for high pressure and long, complicated duct runs.
- The design prioritise functionality, durability and longevity.
- Impeller with backward curved blades.
- The external rotor motor has maintenance-free sealed ball-bearings and is very energy efficient.

- Speed controlling can be done with the built-in potentiometer, 0-10 V alt. external control.
- Integrated motor protection.
- Junction box has enclosure class IP 54.
- The housing is manufactured from galvanized sheet steel.
- Duct connections are equipped with rubber seals.
- The fan is intended to be installed in a duct system.
- A duct connected fan can be installed outside or in damp environments.

ACCESSORIES

- Mounting bracket Kit Universal
- Mounting clamp MK 250
- Safety grille BSV 250
- Back draught shutter RSK 250
- Louvre YG 250
- Louvre shutter VK 250
- Filterbox FLK 250
- Filterbox FLF 250
- Silencer LDC 250
- Speed controller MS EC
- Pressure regulator CALAIR-PR-230V
- Pressure regulator FKP-R

TECHNICAL DATA

| | |
|-------------------------------------|-------------|
| Voltage | 230 V |
| Frequency | 50/60 Hz |
| Phase | 1 ~ |
| Current | 0.96 A |
| Power | 218 W |
| Speed | 2750 r.p.m. |
| Capacitor | |
| Max. temp of transported air | 60 °C |
| Sound pressure level, 3 m | 44 dB(A) |
| Weight | 27 kg |
| Wiring diagram | 4040143 |

SOUND DATA

| | L_{wa} tot dB (A) | 63 | 125 | 250 | 500 | 1K | 2K | 4K | 8K |
|---------------------------|---------------------|----|-----|-----|-----|----|----|----|----|
| 4.Surrounding 10 V | 51 | 37 | 40 | 47 | 46 | 41 | 38 | 36 | 32 |
| 4.Outlet 10 V | 76 | 59 | 60 | 62 | 69 | 68 | 71 | 66 | 62 |
| 4.Inlet 10 V | 63 | 58 | 58 | 55 | 53 | 51 | 49 | 49 | 44 |
| 3.Inlet 8 V | 59 | 53 | 54 | 52 | 50 | 48 | 45 | 46 | 40 |
| 2.Inlet 7 V | 56 | 49 | 51 | 49 | 47 | 44 | 41 | 42 | 36 |
| 1.Inlet 5 V | 52 | 45 | 47 | 47 | 37 | 38 | 35 | 37 | 29 |

MORE INFORMATION

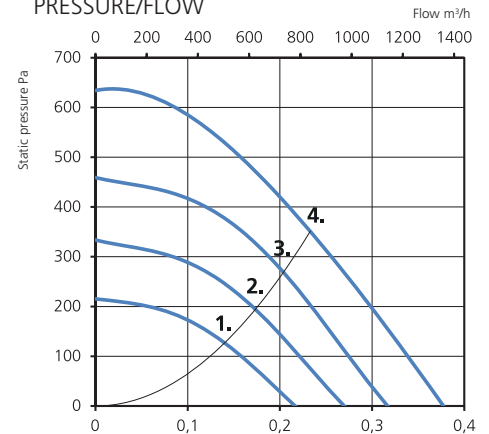


Find out the latest updated information about this product by visiting www.ostberg.com or by scanning QR code.

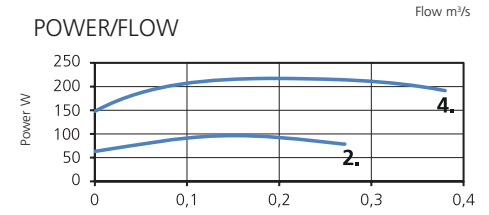
CONTROL VOLTAGE

1. 5 V 2. 7 V 3. 8 V 4. 10 V

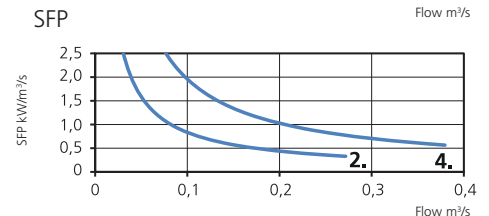
PRESSURE/FLOW



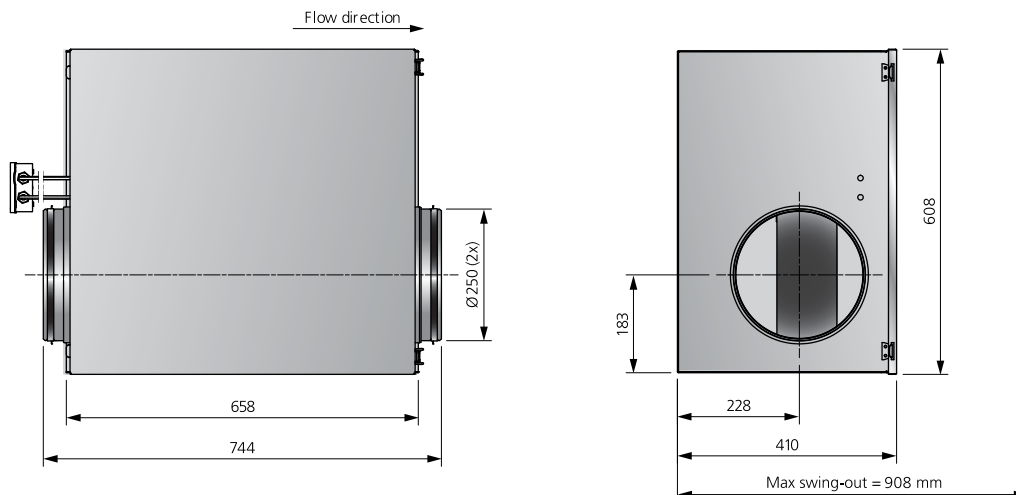
POWER/FLOW



SFP



DIMENSIONS (mm)

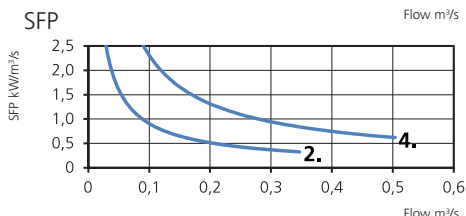
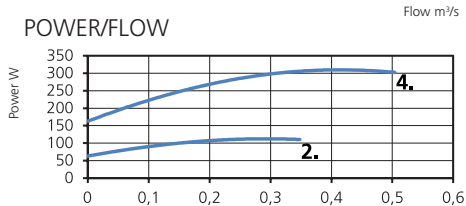
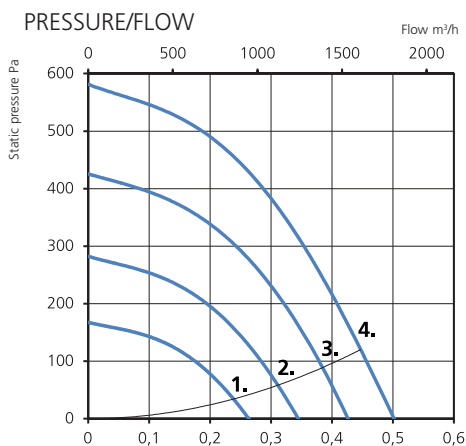


INSULATED DUCT FAN WITH CIRCULAR CONNECTIONS

IRB 250 E1 EC

7880013

- Insulated duct fan with circular connections.
- Equipped with 50 mm of thermal and acoustic insulation makes it ideal for handling cold air.
- Designed for high pressure and long, complicated duct runs.
- The design prioritise functionality, durability and longevity.
- Impeller with backward curved blades.
- The external rotor motor has maintenance-free sealed ball-bearings and is very energy efficient.
- Speed controlling can be done with the built-in potentiometer, 0-10 V alt. external control.
- Integrated motor protection.
- Junction box has enclosure class IP 54.
- The housing is manufactured from galvanized sheet steel.
- Duct connections are equipped with rubber seals.
- The fan is intended to be installed in a duct system.
- A duct connected fan can be installed outside or in damp environments.



TECHNICAL DATA

| | |
|-------------------------------------|-------------|
| Voltage | 230 V |
| Frequency | 50/60 Hz |
| Phase | 1 ~ |
| Current | 1.37 A |
| Power | 311 W |
| Speed | 2020 r.p.m. |
| Capacitor | |
| Max. temp of transported air | 60 °C |
| Sound pressure level, 3 m | 60 dB(A) |
| Weight | 34 kg |
| Wiring diagram | 4040175 |

ACCESSORIES

- Mounting bracket Kit Universal
- Mounting clamp MK 250
- Safety grille BSV 250
- Back draught shutter RSK 250
- Louvre YG 250
- Louvre shutter VK 250
- Filterbox FLK 250
- Filterbox FLF 250
- Silencer LDC 250
- Speed controller MS EC
- Pressure regulator CALAIR-PR-230V
- Pressure regulator FKP-R

SOUND DATA

| | L_{wa} tot dB (A) | 63 | 125 | 250 | 500 | 1K | 2K | 4K | 8K |
|---------------------------|---------------------|----|-----|-----|-----|----|----|----|----|
| 4.Surrounding 10 V | 67 | 53 | 54 | 67 | 49 | 39 | 38 | 30 | 28 |
| 4.Outlet 10 V | 80 | 68 | 71 | 79 | 69 | 65 | 61 | 58 | 57 |
| 4.Inlet 10 V | 72 | 62 | 66 | 71 | 52 | 45 | 45 | 42 | 42 |
| 3.Inlet 8 V | 67 | 59 | 64 | 62 | 47 | 40 | 40 | 38 | 37 |
| 2.Inlet 7 V | 63 | 55 | 61 | 55 | 41 | 34 | 34 | 33 | 32 |
| 1.Inlet 5 V | 58 | 50 | 56 | 47 | 33 | 27 | 26 | 28 | 22 |

CONTROL VOLTAGE

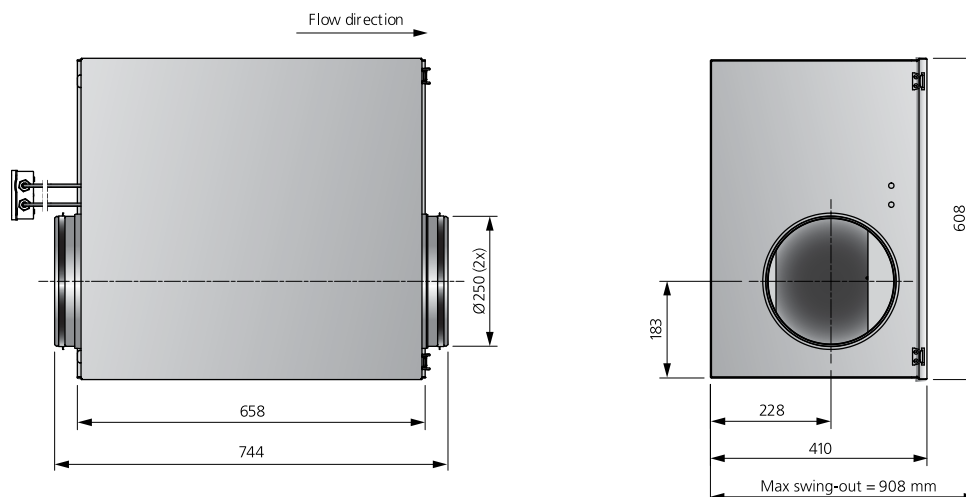
1. 5 V 2. 7 V 3. 8 V 4. 10 V

MORE INFORMATION



Find out the latest updated information about this product by visiting www.ostberg.com or by scanning QR code.

DIMENSIONS (mm)





- Insulated duct fan with circular connections.
- Equipped with 50 mm of thermal and acoustic insulation makes it ideal for handling cold air.
- Designed for high pressure and long, complicated duct runs.
- The design prioritise functionality, durability and longevity.
- Impeller with backward curved blades.
- The external rotor motor has maintenance-free sealed ball-bearings and is very energy efficient.

- Speed controlling can be done with the built-in potentiometer, 0-10 V alt. external control.
- Integrated motor protection.
- Junction box has enclosure class IP 54.
- The housing is manufactured from galvanized sheet steel.
- Duct connections are equipped with rubber seals.
- The fan is intended to be installed in a duct system.
- A duct connected fan can be installed outside or in damp environments.

ACCESSORIES

- Mounting bracket Kit Universal
- Mounting clamp MK 315
- Safety grille BSV 315
- Back draught shutter RSK 315
- Louvre YG 315
- Louvre shutter VK 315
- Filterbox FLK 315
- Filterbox FLF 315
- Silencer LDC 315
- Speed controller MS EC
- Pressure regulator CALAIR-PR-230V
- Pressure regulator FKP-R

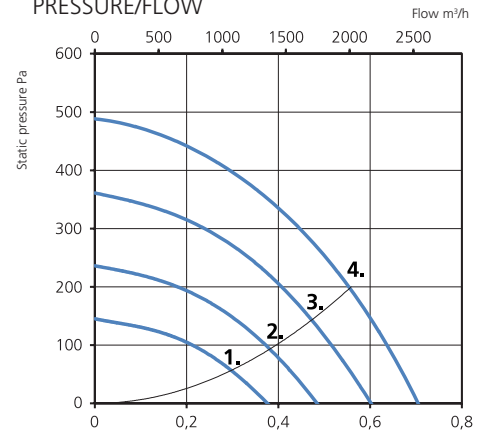
TECHNICAL DATA

| | |
|-------------------------------------|-------------|
| Voltage | 230 V |
| Frequency | 50/60 Hz |
| Phase | 1 ~ |
| Current | 1.36 A |
| Power | 311 W |
| Speed | 1650 r.p.m. |
| Capacitor | |
| Max. temp of transported air | 60 °C |
| Sound pressure level, 3 m | 53 dB(A) |
| Weight | 49.4 kg |
| Wiring diagram | 4040175 |

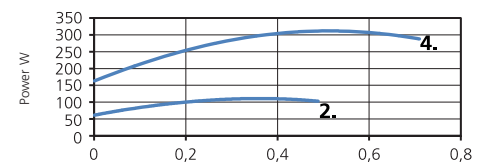
SOUND DATA

| | L_{wa} tot dB (A) | 63 | 125 | 250 | 500 | 1K | 2K | 4K | 8K |
|---------------------------|---------------------|----|-----|-----|-----|----|----|----|----|
| 4.Surrounding 10 V | 60 | 43 | 57 | 57 | 44 | 34 | 30 | 27 | 27 |
| 4.Outlet 10 V | 77 | 64 | 75 | 72 | 62 | 61 | 57 | 55 | 53 |
| 4.Inlet 10 V | 70 | 58 | 67 | 64 | 50 | 41 | 40 | 39 | 37 |
| 3.Inlet 8.5 V | 66 | 56 | 65 | 59 | 45 | 36 | 36 | 36 | 33 |
| 2.Inlet 7 V | 62 | 52 | 61 | 53 | 37 | 30 | 31 | 32 | 27 |
| 1.Inlet 5.5 V | 57 | 52 | 56 | 46 | 30 | 24 | 27 | 27 | 19 |

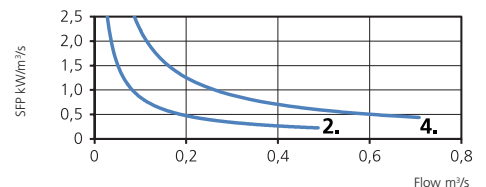
PRESSURE/FLOW



POWER/FLOW



SFP



MORE INFORMATION

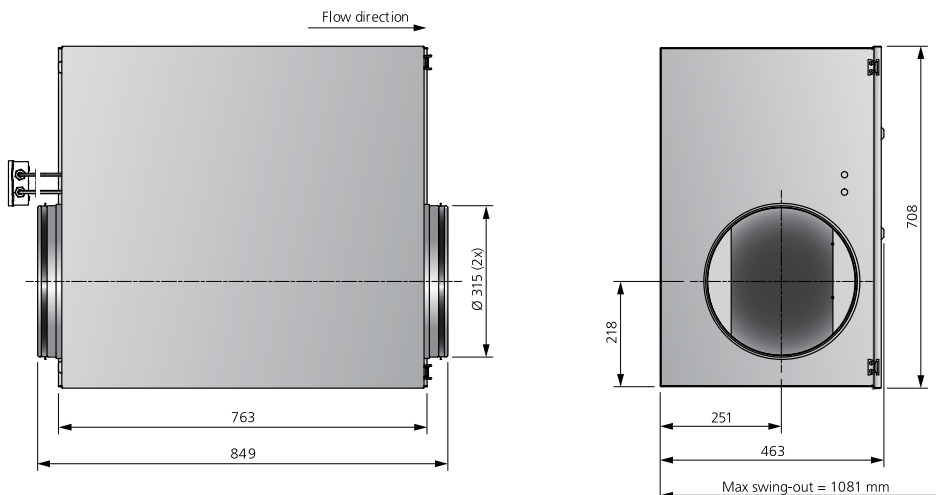


Find out the latest updated information about this product by visiting www.ostberg.com or by scanning QR code.

CONTROL VOLTAGE

1. 5.5 V 2. 7 V 3. 8.5 V 4. 10 V

DIMENSIONS (mm)

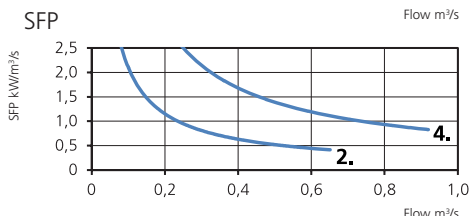
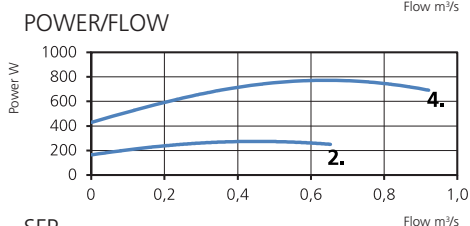
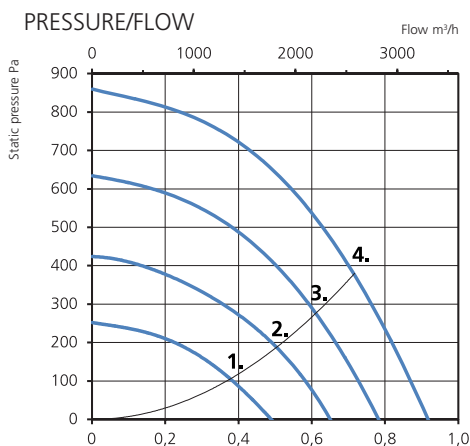


INSULATED DUCT FAN WITH CIRCULAR CONNECTIONS

IRB 315 B1 EC

7890034

- Insulated duct fan with circular connections.
- Equipped with 50 mm of thermal and acoustic insulation makes it ideal for handling cold air.
- Designed for high pressure and long, complicated duct runs.
- The design prioritise functionality, durability and longevity.
- Impeller with backward curved blades.
- The external rotor motor has maintenance-free sealed ball-bearings and is very energy efficient.
- Speed controlling can be done with the built-in potentiometer, 0-10 V alt. external control.
- Integrated motor protection.
- Junction box has enclosure class IP 54.
- The housing is manufactured from galvanized sheet steel.
- Duct connections are equipped with rubber seals.
- The fan is intended to be installed in a duct system.
- A duct connected fan can be installed outside or in damp environments.



TECHNICAL DATA

| | |
|-------------------------------------|-------------|
| Voltage | 230 V |
| Frequency | 50/60 Hz |
| Phase | 1 ~ |
| Current | 3.57 A |
| Power | 777 W |
| Speed | 2200 r.p.m. |
| Capacitor | |
| Max. temp of transported air | 60 °C |
| Sound pressure level, 3 m | 65 dB(A) |
| Weight | 46.3 kg |
| Wiring diagram | 4040145 |

ACCESSORIES

- Mounting bracket Kit Universal
- Mounting clamp MK 315
- Safety grille BSV 315
- Back draught shutter RSK 315
- Louvre YG 315
- Louvre shutter VK 315
- Filterbox FLK 315
- Filterbox FLF 315
- Silencer LDC 315
- Speed controller MS EC
- Pressure regulator CALAIR-PR-230V
- Pressure regulator FKP-R

SOUND DATA

| | L_{wa} tot dB (A) | 63 | 125 | 250 | 500 | 1K | 2K | 4K | 8K |
|---------------------------|---------------------|----|-----|-----|-----|----|----|----|----|
| 4.Surrounding 10 V | 72 | 52 | 57 | 72 | 51 | 43 | 41 | 37 | 32 |
| 4.Outlet 10 V | 83 | 68 | 73 | 81 | 71 | 70 | 68 | 64 | 59 |
| 4.Inlet 10 V | 76 | 64 | 68 | 74 | 57 | 50 | 49 | 45 | 43 |
| 3.Inlet 8 V | 76 | 61 | 66 | 75 | 52 | 44 | 44 | 41 | 38 |
| 2.Inlet 7 V | 67 | 57 | 64 | 62 | 46 | 39 | 38 | 35 | 33 |
| 1.Inlet 5 V | 62 | 52 | 61 | 53 | 37 | 42 | 32 | 29 | 26 |

CONTROL VOLTAGE

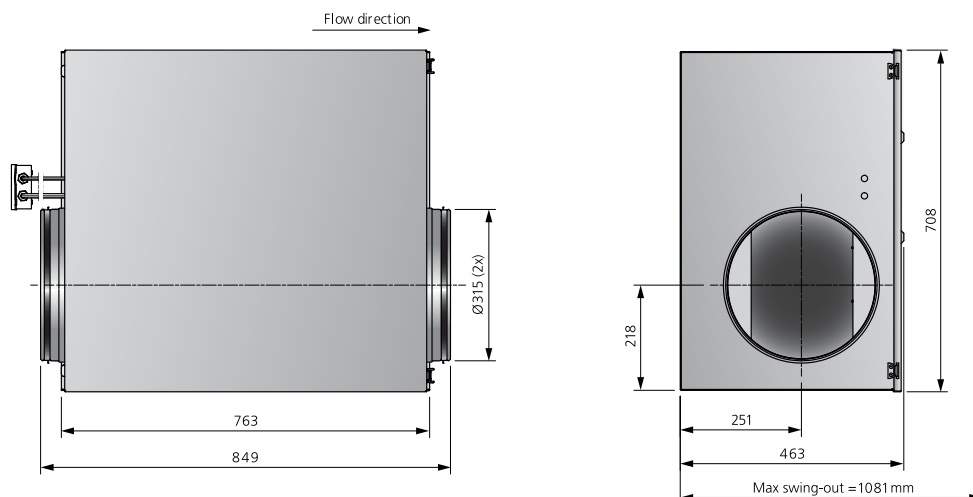
1. 5 V 2. 7 V 3. 8 V 4. 10 V

MORE INFORMATION



Find out the latest updated information about this product by visiting www.ostberg.com or by scanning QR code.

DIMENSIONS (mm)



IRB 315 SA1 EC

7880058



- Insulated duct fan with circular connections.
- Equipped with 50 mm of thermal and acoustic insulation makes it ideal for handling cold air.
- Designed for high pressure and long, complicated duct runs.
- The design prioritise functionality, durability and longevity.
- Impeller with backward curved blades.
- The external rotor motor has maintenance-free sealed ball-bearings and is very energy efficient.

- Speed controlling can be done with the built-in potentiometer, 0-10 V alt. external control.
- Integrated motor protection.
- Junction box has enclosure class IP 54.
- The housing is manufactured from galvanized sheet steel.
- Duct connections are equipped with rubber seals.
- The fan is intended to be installed in a duct system.
- A duct connected fan can be installed outside or in damp environments.

ACCESSORIES

- Mounting bracket Kit Universal
- Mounting clamp MK 315
- Safety grille BSV 315
- Back draught shutter RSK 315
- Louvre YG 315
- Louvre shutter VK 315
- Filterbox FLK 315
- Filterbox FLF 315
- Silencer LDC 315
- Speed controller MS EC
- Pressure regulator CALAIR-PR-230V
- Pressure regulator FKP-R

TECHNICAL DATA

| | |
|-------------------------------------|-------------|
| Voltage | 230 V |
| Frequency | 50/60 Hz |
| Phase | 1 ~ |
| Current | 1.47 A |
| Power | 333 W |
| Speed | 2020 r.p.m. |
| Capacitor | |
| Max. temp of transported air | 60 °C |
| Sound pressure level, 3 m | 56 dB(A) |
| Weight | 33.7 kg |
| Wiring diagram | 4040175 |

SOUND DATA

| | L_{wa} tot dB (A) | 63 | 125 | 250 | 500 | 1K | 2K | 4K | 8K |
|---------------------------|---------------------|----|-----|-----|-----|----|----|----|----|
| 4.Surrounding 10 V | 63 | 47 | 53 | 62 | 51 | 41 | 39 | 39 | 35 |
| 4.Outlet 10 V | 80 | 65 | 71 | 78 | 67 | 65 | 61 | 57 | 55 |
| 4.Inlet 10 V | 74 | 65 | 70 | 71 | 55 | 49 | 51 | 47 | 45 |
| 3.Inlet 8.5 V | 70 | 61 | 67 | 66 | 49 | 44 | 46 | 42 | 40 |
| 2.Inlet 7 V | 66 | 58 | 63 | 59 | 47 | 38 | 40 | 38 | 32 |
| 1.Inlet 5 V | 57 | 52 | 54 | 48 | 32 | 32 | 30 | 28 | 19 |

MORE INFORMATION

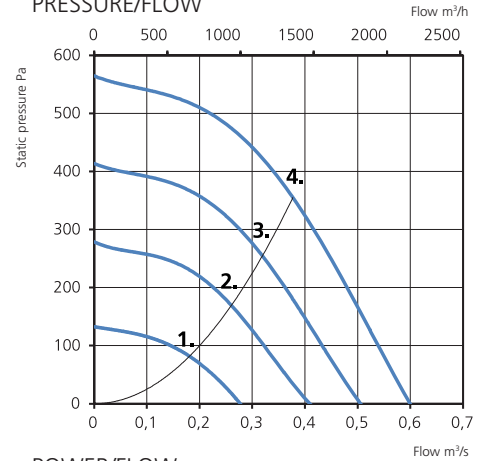


Find out the latest updated information about this product by visiting www.ostberg.com or by scanning QR code.

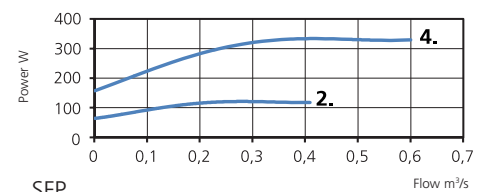
CONTROL VOLTAGE

1. 5 V 2. 7 V 3. 8.5 V 4. 10 V

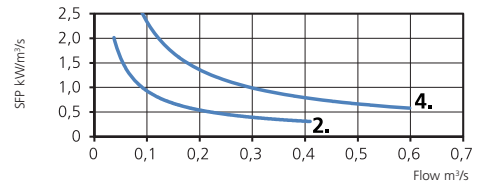
PRESSURE/FLOW



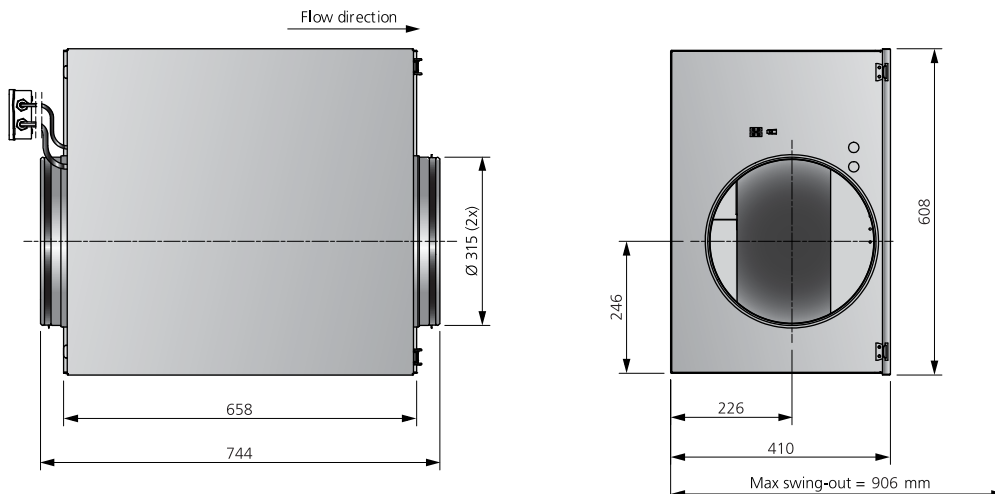
POWER/FLOW



SFP



DIMENSIONS (mm)



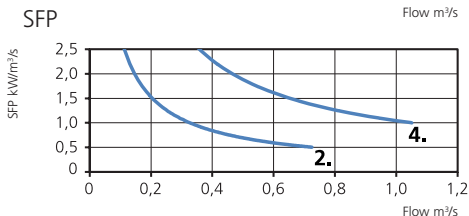
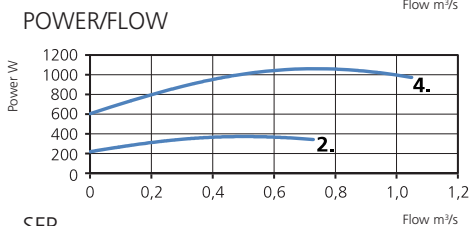
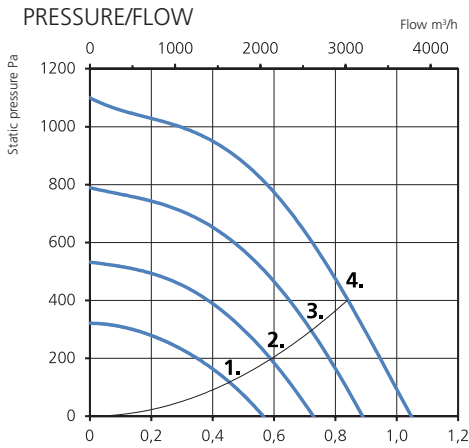
INSULATED DUCT FAN WITH CIRCULAR CONNECTIONS

IRB 315 E3 EC

7890035

- Insulated duct fan with circular connections.
- Equipped with 50 mm of thermal and acoustic insulation makes it ideal for handling cold air.
- Designed for high pressure and long, complicated duct runs.
- The design prioritise functionality, durability and longevity.
- Impeller with backward curved blades.
- The external rotor motor has maintenance-free sealed ball-bearings and is very energy efficient.

- Speed controlling can be done with the built-in potentiometer, 0-10 V alt. external control.
- Integrated motor protection.
- Junction box has enclosure class IP 54.
- The housing is manufactured from galvanized sheet steel.
- Duct connections are equipped with rubber seals.
- The fan is intended to be installed in a duct system.
- A duct connected fan can be installed outside or in damp environments.



TECHNICAL DATA

| | |
|-------------------------------------|-------------|
| Voltage | 400 V |
| Frequency | 50/60 Hz |
| Phase | 3 ~ |
| Current | 1.67 A |
| Power | 1070 W |
| Speed | 2500 r.p.m. |
| Capacitor | |
| Max. temp of transported air | 60 °C |
| Sound pressure level, 3 m | 64 dB(A) |
| Weight | 46.3 kg |
| Wiring diagram | 4040147 |

ACCESSORIES

- Mounting bracket Kit Universal
- Mounting clamp MK 315
- Safety grille BSV 315
- Back draught shutter RSK 315
- Louvre YG 315
- Louvre shutter VK 315
- Filterbox FLK 315
- Filterbox FLF 315
- Silencer LDC 315
- Speed controller MS EC
- Pressure regulator CALAIR-PR-230V
- Pressure regulator FKP-R

SOUND DATA

| | L_{wa} tot dB (A) | 63 | 125 | 250 | 500 | 1K | 2K | 4K | 8K |
|---------------------------|---------------------|----|-----|-----|-----|----|----|----|----|
| 4.Surrounding 10 V | 71 | 56 | 59 | 70 | 55 | 48 | 41 | 38 | 34 |
| 4.Outlet 10 V | 85 | 72 | 77 | 82 | 76 | 76 | 72 | 68 | 64 |
| 4.Inlet 10 V | 76 | 66 | 71 | 73 | 61 | 54 | 53 | 48 | 46 |
| 3.Inlet 8.5 V | 77 | 64 | 70 | 75 | 58 | 50 | 50 | 45 | 44 |
| 2.Inlet 7 V | 72 | 60 | 70 | 68 | 51 | 44 | 44 | 39 | 37 |
| 1.Inlet 5.5 V | 65 | 55 | 64 | 57 | 43 | 37 | 36 | 33 | 28 |

CONTROL VOLTAGE

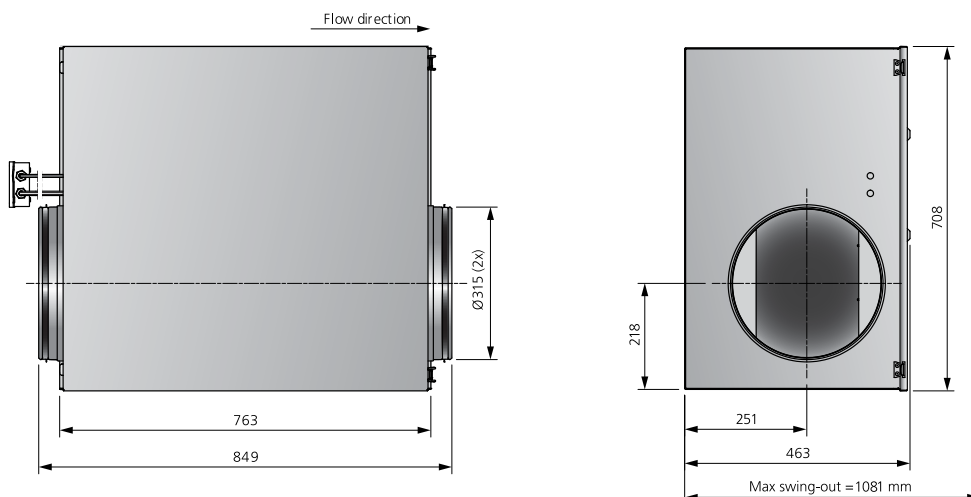
1. 5.5 V 2. 7 V 3. 8.5 V 4. 10 V

MORE INFORMATION



Find out the latest updated information about this product by visiting www.ostberg.com or by scanning QR code.

DIMENSIONS (mm)





- Insulated duct fan with circular connections.
- Equipped with 50 mm of thermal and acoustic insulation makes it ideal for handling cold air.
- Designed for high pressure and long, complicated duct runs.
- The design prioritise functionality, durability and longevity.
- Impeller with backward curved blades.
- The external rotor motor has maintenance-free sealed ball-bearings and is very energy efficient.

- Speed controlling can be done with the built-in potentiometer, 0-10 V alt. external control.
- Integrated motor protection.
- Junction box has enclosure class IP 54.
- The housing is manufactured from galvanized sheet steel.
- Duct connections are equipped with rubber seals.
- The fan is intended to be installed in a duct system.
- A duct connected fan can be installed outside or in damp environments.

ACCESSORIES

- Mounting bracket Kit Universal
- Mounting clamp MK 355
- Safety grille BSV 355
- Back draught shutter RSK 355
- Louvre shutter VK 355
- Speed controller MS EC
- Pressure regulator CALAIR-PR-230V
- Pressure regulator FKP-R

TECHNICAL DATA

| | |
|-------------------------------------|-------------|
| Voltage | 230 V |
| Frequency | 50/60 Hz |
| Phase | 1 ~ |
| Current | 1.39 A |
| Power | 316 W |
| Speed | 1650 r.p.m. |
| Capacitor | |
| Max. temp of transported air | 60 °C |
| Sound pressure level, 3 m | 52 dB(A) |
| Weight | 36.8 kg |
| Wiring diagram | 4040175 |

SOUND DATA

| | L_{wa} tot dB (A) | 63 | 125 | 250 | 500 | 1K | 2K | 4K | 8K |
|---------------------------|---------------------|----|-----|-----|-----|----|----|----|----|
| 4.Surrounding 10 V | 59 | 43 | 53 | 58 | 45 | 38 | 37 | 36 | 32 |
| 4.Outlet 10 V | 75 | 60 | 72 | 70 | 62 | 59 | 57 | 53 | 50 |
| 4.Inlet 10 V | 70 | 59 | 69 | 64 | 50 | 44 | 45 | 41 | 41 |
| 3.Inlet 8.5 V | 68 | 57 | 67 | 59 | 44 | 39 | 41 | 37 | 36 |
| 2.Inlet 7 V | 62 | 54 | 61 | 52 | 37 | 34 | 35 | 34 | 27 |
| 1.Inlet 5 V | 52 | 47 | 49 | 41 | 27 | 25 | 30 | 24 | 15 |

MORE INFORMATION

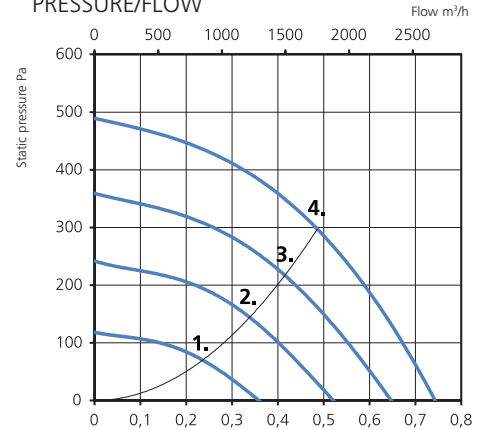


Find out the latest updated information about this product by visiting www.ostberg.com or by scanning QR code.

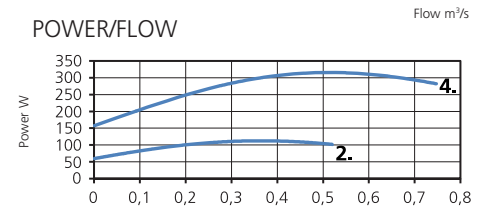
CONTROL VOLTAGE

1. 5 V 2. 7 V 3. 8.5 V 4. 10 V

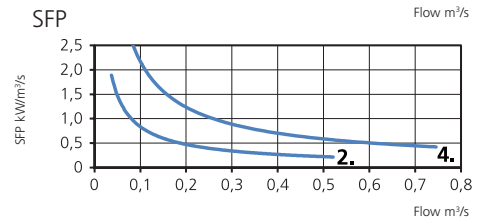
PRESSURE/FLOW



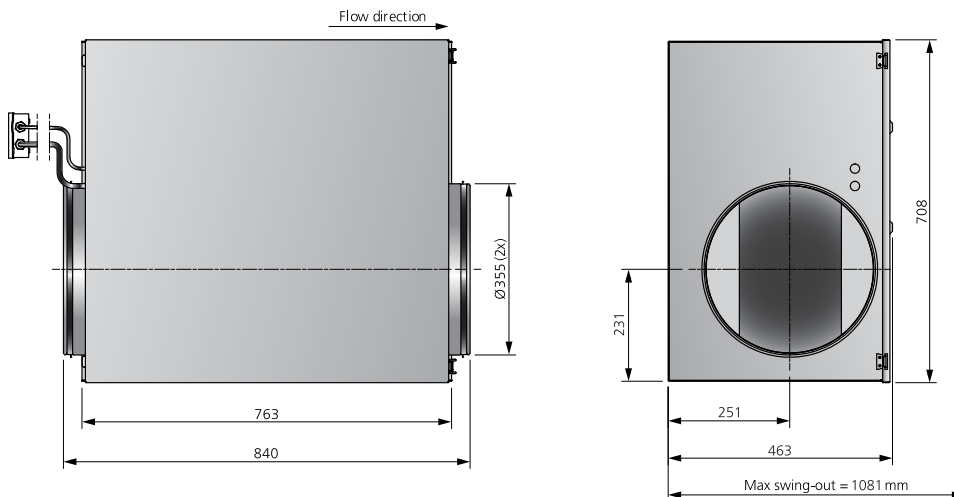
POWER/FLOW



SFP



DIMENSIONS (mm)

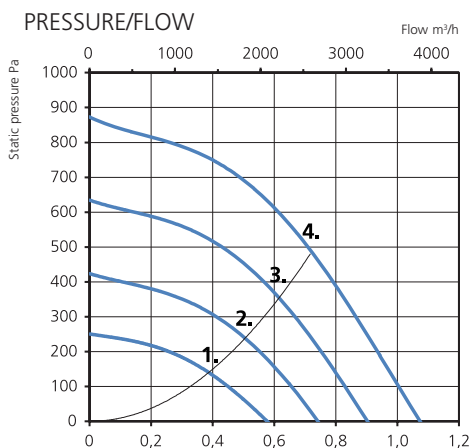


INSULATED DUCT FAN WITH CIRCULAR CONNECTIONS

IRB 355 B1 EC

7890036

- Insulated duct fan with circular connections.
- Equipped with 50 mm of thermal and acoustic insulation makes it ideal for handling cold air.
- Designed for high pressure and long, complicated duct runs.
- The design prioritise functionality, durability and longevity.
- Impeller with backward curved blades.
- The external rotor motor has maintenance-free sealed ball-bearings and is very energy efficient.
- Speed controlling can be done with the built-in potentiometer, 0-10 V alt. external control.
- Integrated motor protection.
- Junction box has enclosure class IP 54.
- The housing is manufactured from galvanized sheet steel.
- Duct connections are equipped with rubber seals.
- The fan is intended to be installed in a duct system.
- A duct connected fan can be installed outside or in damp environments.

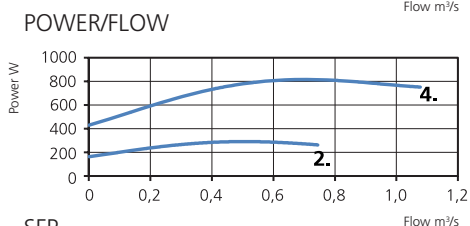


TECHNICAL DATA

| | |
|-------------------------------------|-------------|
| Voltage | 230 V |
| Frequency | 50/60 Hz |
| Phase | 1 ~ |
| Current | 3.73 A |
| Power | 816 W |
| Speed | 2200 r.p.m. |
| Capacitor | |
| Max. temp of transported air | 60 °C |
| Sound pressure level, 3 m | 64 dB(A) |
| Weight | 48 kg |
| Wiring diagram | 4040145 |

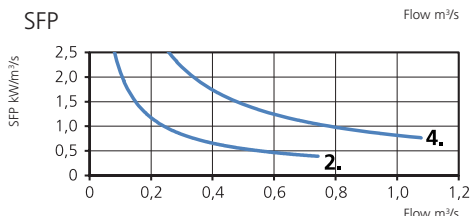
ACCESSORIES

- Mounting bracket Kit Universal
- Mounting clamp MK 355
- Safety grille BSV 355
- Back draught shutter RSK 355
- Louvre shutter VK 355
- Speed controller MS EC
- Pressure regulator CALAIR-PR-230V
- Pressure regulator FKP-R



SOUND DATA

| | L_{wa} tot dB (A) | 63 | 125 | 250 | 500 | 1K | 2K | 4K | 8K |
|---------------------------|---------------------|----|-----|-----|-----|----|----|----|----|
| 4.Surrounding 10 V | 71 | 51 | 56 | 70 | 52 | 44 | 42 | 39 | 34 |
| 4.Outlet 10 V | 83 | 66 | 73 | 81 | 73 | 73 | 68 | 64 | 67 |
| 4.Inlet 10 V | 77 | 65 | 69 | 76 | 59 | 52 | 49 | 46 | 47 |
| 3.Inlet 8.5 V | 76 | 62 | 67 | 75 | 54 | 46 | 44 | 41 | 42 |
| 2.Inlet 7 V | 69 | 57 | 67 | 62 | 47 | 40 | 38 | 36 | 36 |
| 1.Inlet 5.5 V | 64 | 52 | 63 | 55 | 38 | 38 | 32 | 33 | 29 |



TRANSFORMER STEPS

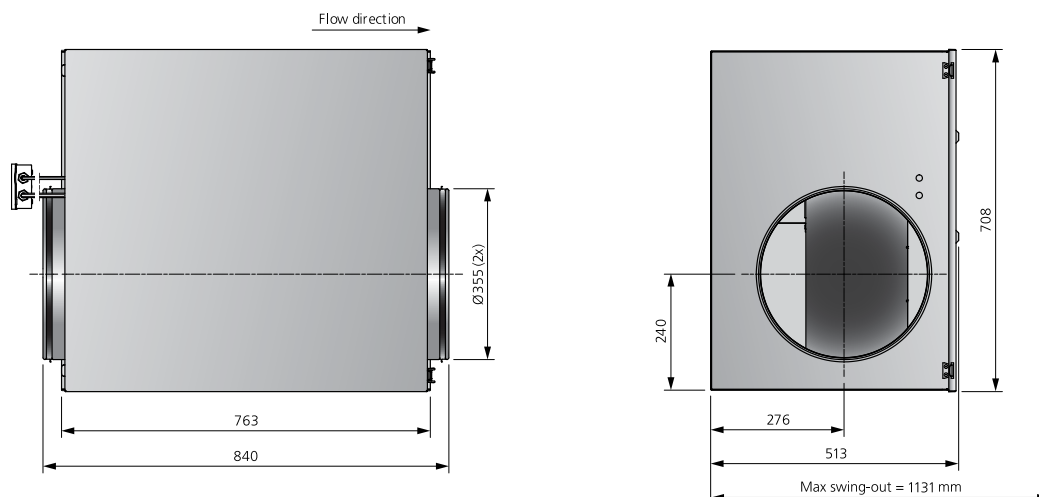
1. 5.5 V 2. 7 V 3. 8.5 V 4. 10 V

MORE INFORMATION



Find out the latest updated information about this product by visiting www.ostberg.com or by scanning QR code.

DIMENSIONS (mm)





- Insulated duct fan with circular connections.
- Equipped with 50 mm of thermal and acoustic insulation makes it ideal for handling cold air.
- Designed for high pressure and long, complicated duct runs.
- The design prioritise functionality, durability and longevity.
- Impeller with backward curved blades.
- The external rotor motor has maintenance-free sealed ball-bearings and is very energy efficient.

- Speed controlling can be done with the built-in potentiometer, 0-10 V alt. external control.
- Integrated motor protection.
- Junction box has enclosure class IP 54.
- The housing is manufactured from galvanized sheet steel.
- Duct connections are equipped with rubber seals.
- The fan is intended to be installed in a duct system.
- A duct connected fan can be installed outside or in damp environments.

ACCESSORIES

- Mounting bracket Kit Universal
- Safety grille BSV 355
- Back draught shutter RSK 355
- Louvre shutter VK 355
- Mounting clamp MK 355
- Speed controller MS EC
- Pressure regulator CALAIR-PR-230V
- Pressure regulator FKP-R

TECHNICAL DATA

| | |
|-------------------------------------|-------------|
| Voltage | 400 V |
| Frequency | 50/60 Hz |
| Phase | 3 ~ |
| Current | 1.74 A |
| Power | 1120 W |
| Speed | 2500 r.p.m. |
| Capacitor | |
| Max. temp of transported air | 60 °C |
| Sound pressure level, 3 m | 65 dB(A) |
| Weight | 48 kg |
| Wiring diagram | 4040147 |

SOUND DATA

| | L_{wa} tot dB (A) | 63 | 125 | 250 | 500 | 1K | 2K | 4K | 8K |
|---------------------------|---------------------|----|-----|-----|-----|----|----|----|----|
| 4.Surrounding 10 V | 72 | 52 | 59 | 72 | 57 | 52 | 45 | 39 | 34 |
| 4.Outlet 10 V | 87 | 72 | 77 | 84 | 78 | 77 | 72 | 68 | 72 |
| 4.Inlet 10 V | 77 | 68 | 72 | 75 | 64 | 58 | 53 | 50 | 53 |
| 3.Inlet 8.5 V | 78 | 64 | 69 | 77 | 59 | 52 | 49 | 45 | 49 |
| 2.Inlet 7 V | 72 | 60 | 68 | 68 | 53 | 45 | 45 | 39 | 42 |
| 1.Inlet 5.5 V | 66 | 55 | 65 | 58 | 44 | 36 | 34 | 37 | 32 |

MORE INFORMATION

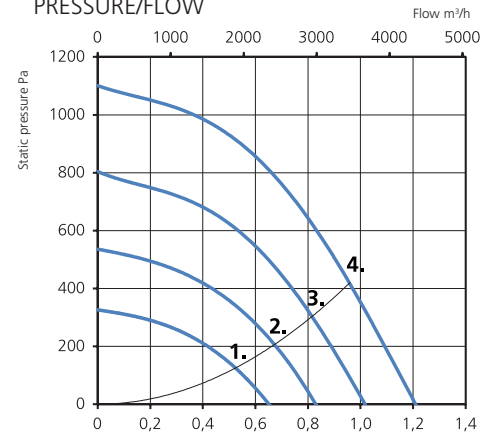


Find out the latest updated information about this product by visiting www.ostberg.com or by scanning QR code.

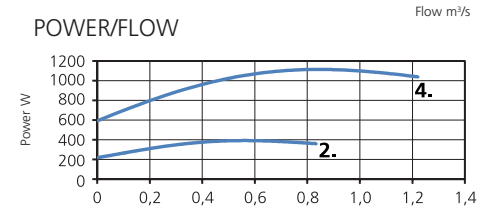
CONTROL VOLTAGE

1. 5.5 V 2. 7 V 3. 8.5 V 4. 10 V

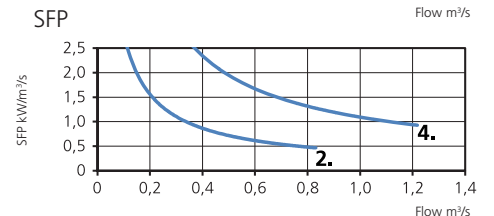
PRESSURE/FLOW



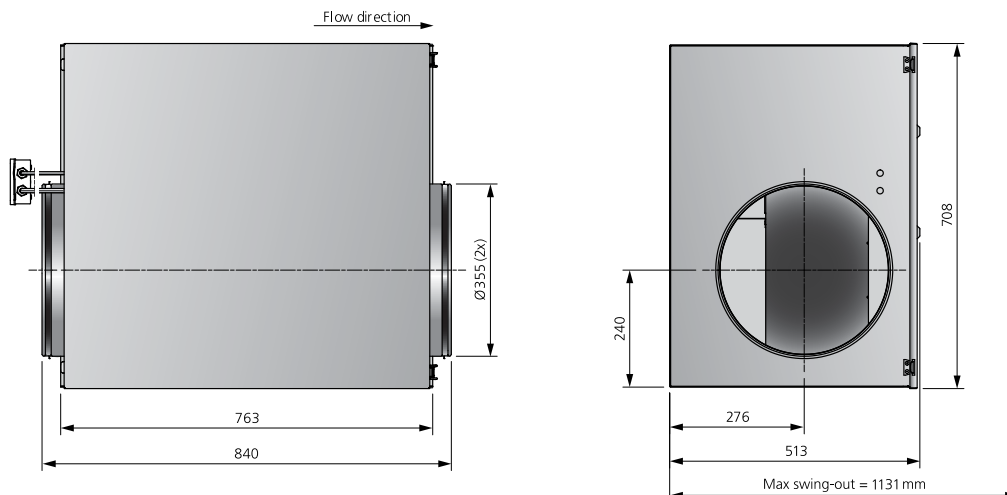
POWER/FLOW



SFP



DIMENSIONS (mm)



INSULATED DUCT FAN WITH CIRCULAR CONNECTIONS

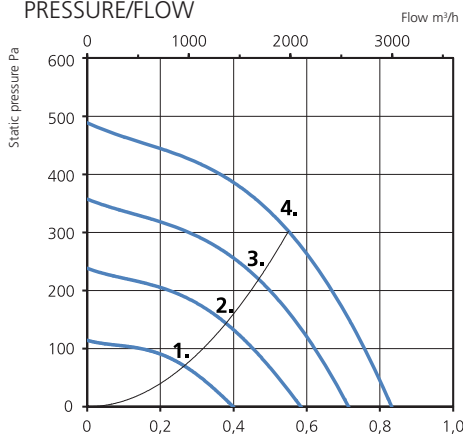
IRB 400 A1 EC

7890187

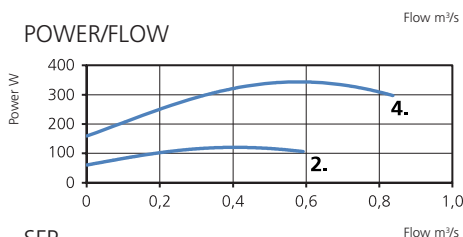
- Insulated duct fan with circular connections.
- Equipped with 50 mm of thermal and acoustic insulation makes it ideal for handling cold air.
- Designed for high pressure and long, complicated duct runs.
- The design prioritise functionality, durability and longevity.
- Impeller with backward curved blades.
- The external rotor motor has maintenance-free sealed ball-bearings and is very energy efficient.
- Speed controlling can be done with the built-in potentiometer, 0-10 V alt. external control.
- Integrated motor protection.
- Junction box has enclosure class IP 54.
- The housing is manufactured from galvanized sheet steel.
- Duct connections are equipped with rubber seals.
- The fan is intended to be installed in a duct system.
- A duct connected fan can be installed outside or in damp environments.



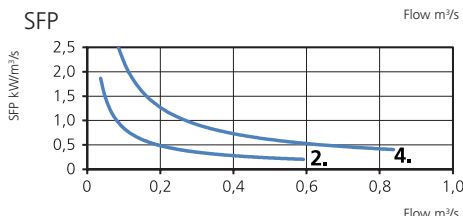
PRESSURE/FLOW



POWER/FLOW



SFP



TECHNICAL DATA

| | |
|------------------------------|-------------|
| Voltage | 230 V |
| Frequency | 50/60 Hz |
| Phase | 1 ~ |
| Current | 1.5 A |
| Power | 340 W |
| Speed | 1650 r.p.m. |
| Capacitor | |
| Max. temp of transported air | 60 °C |
| Sound pressure level, 3 m | 54 dB(A) |
| Weight | 45.2 kg |
| Wiring diagram | 4040175 |

ACCESSORIES

- Mounting bracket Kit Universal
- Mounting clamp MK 400
- Safety grille BSV 400
- Back draught shutter RSK 400
- Louvre shutter VK 400
- Filterbox FLK 400
- Filterbox FLF 400
- Speed controller MS EC
- Pressure regulator CALAIR-PR-230V
- Pressure regulator FKP-R

SOUND DATA

| | L_{wa} tot dB (A) | 63 | 125 | 250 | 500 | 1K | 2K | 4K | 8K |
|--------------------|---------------------|----|-----|-----|-----|----|----|----|----|
| 4.Surrounding 10 V | 61 | 43 | 53 | 60 | 45 | 38 | 37 | 36 | 33 |
| 4.Outlet 10 V | 77 | 61 | 74 | 72 | 63 | 65 | 60 | 57 | 57 |
| 4.Inlet 10 V | 74 | 60 | 71 | 69 | 53 | 48 | 48 | 45 | 45 |
| 3.Inlet 8.5 V | 70 | 58 | 69 | 63 | 50 | 43 | 43 | 42 | 40 |
| 2.Inlet 7 V | 64 | 54 | 63 | 55 | 40 | 37 | 38 | 39 | 31 |
| 1.Inlet 5 V | 54 | 50 | 51 | 44 | 28 | 28 | 31 | 32 | 16 |

CONTROL VOLTAGE

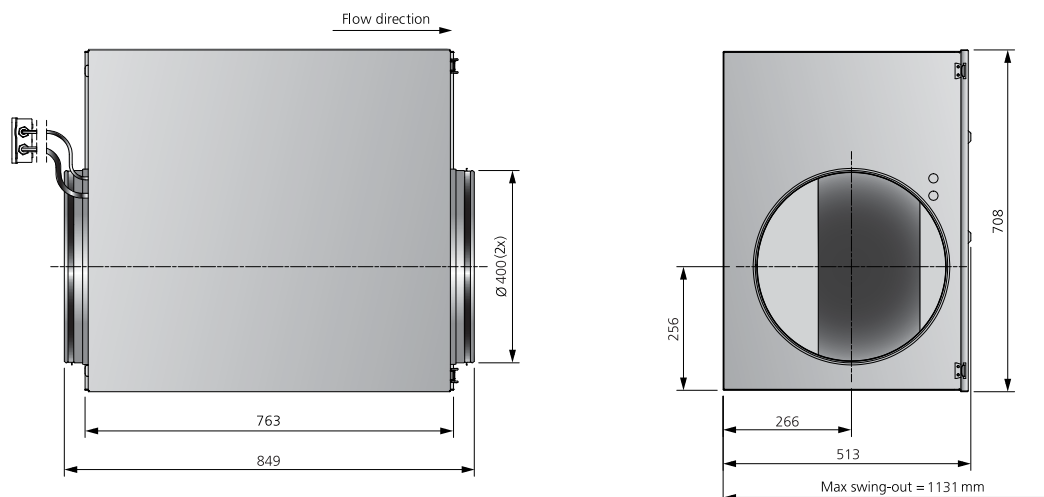
1. 5 V 2. 7 V 3. 8.5 V 4. 10 V

MORE INFORMATION



Find out the latest updated information about this product by visiting www.ostberg.com or by scanning QR code.

DIMENSIONS (mm)





- Insulated duct fan with circular connections.
- Equipped with 50 mm of thermal and acoustic insulation makes it ideal for handling cold air.
- Designed for high pressure and long, complicated duct runs.
- The design prioritise functionality, durability and longevity.
- Impeller with backward curved blades.
- The external rotor motor has maintenance-free sealed ball-bearings and is very energy efficient.

- Speed controlling can be done with the built-in potentiometer, 0-10 V alt. external control.
- Integrated motor protection.
- Junction box has enclosure class IP 54.
- The housing is manufactured from galvanized sheet steel.
- Duct connections are equipped with rubber seals.
- The fan is intended to be installed in a duct system.
- A duct connected fan can be installed outside or in damp environments.

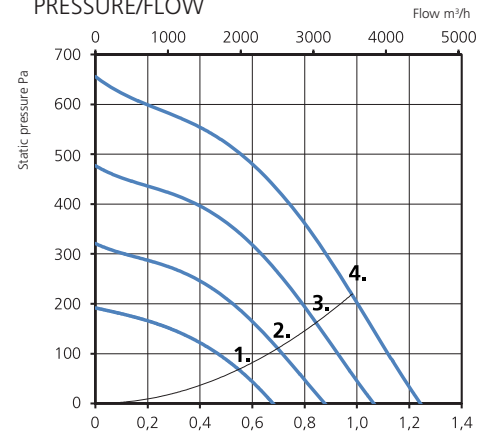
ACCESSORIES

- Mounting clamp MK 400
- Safety grille BSV 400
- Back draught shutter RSK 400
- Louvre shutter VK 400
- Filterbox FLK 400
- Filterbox FLF 400
- Speed controller MS EC
- Pressure regulator CALAIR-PR-230V
- Pressure regulator FKP-R

TECHNICAL DATA

| | |
|-------------------------------------|-------------|
| Voltage | 230 V |
| Frequency | 50/60 Hz |
| Phase | 1 ~ |
| Current | 2.98 A |
| Power | 646 W |
| Speed | 1420 r.p.m. |
| Capacitor | |
| Max. temp of transported air | 60 °C |
| Sound pressure level, 3 m | 58 dB(A) |
| Weight | 60.7 kg |
| Wiring diagram | 4040145 |

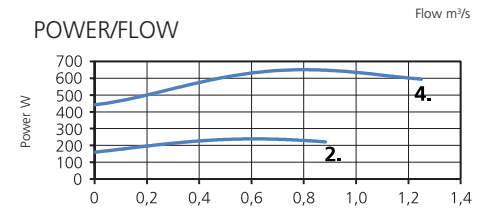
PRESSURE/FLOW



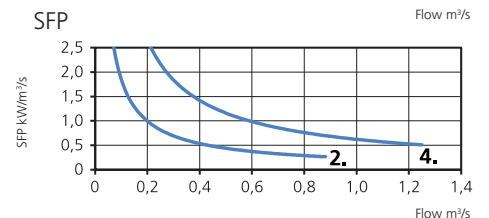
SOUND DATA

| | L_{wa} tot dB (A) | 63 | 125 | 250 | 500 | 1K | 2K | 4K | 8K |
|---------------------------|---------------------|----|-----|-----|-----|----|----|----|----|
| 4.Surrounding 10 V | 65 | 50 | 63 | 58 | 46 | 37 | 34 | 31 | 28 |
| 4.Outlet 10 V | 81 | 68 | 79 | 74 | 68 | 66 | 62 | 61 | 56 |
| 4.Inlet 10 V | 73 | 62 | 72 | 64 | 60 | 58 | 45 | 41 | 40 |
| 3.Inlet 8.5 V | 68 | 59 | 66 | 60 | 56 | 51 | 40 | 38 | 35 |
| 2.Inlet 7 V | 65 | 56 | 63 | 56 | 51 | 41 | 33 | 34 | 29 |
| 1.Inlet 5.5 V | 61 | 60 | 53 | 49 | 43 | 32 | 30 | 27 | 22 |

POWER/FLOW



SFP



MORE INFORMATION

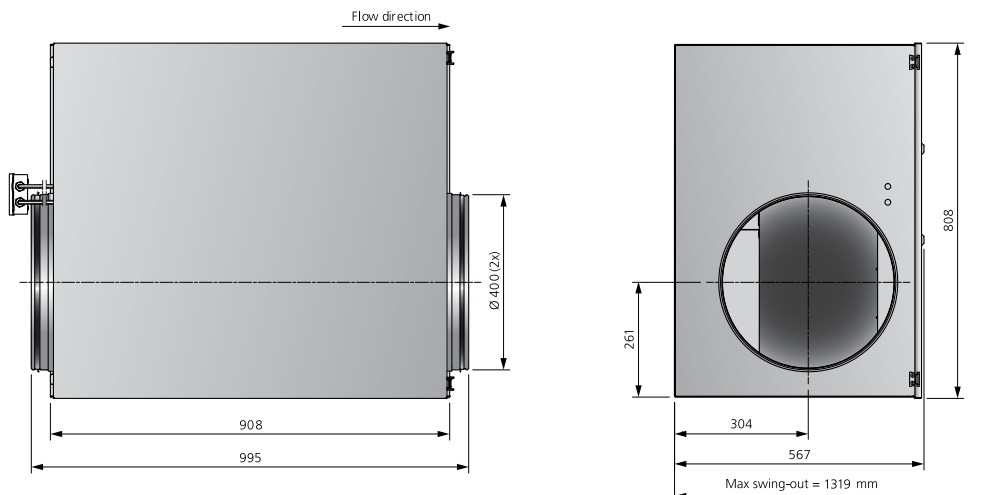


Find out the latest updated information about this product by visiting www.ostberg.com or by scanning QR code.

CONTROL VOLTAGE

1. 5.5 V 2. 7 V 3. 8.5 V 4. 10 V

DIMENSIONS (mm)



INSULATED DUCT FAN WITH CIRCULAR CONNECTIONS

IRB 400 B3 EC

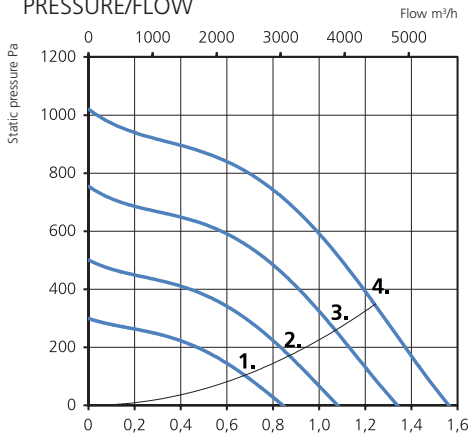
7890038

- Insulated duct fan with circular connections.
- Equipped with 50 mm of thermal and acoustic insulation makes it ideal for handling cold air.
- Designed for high pressure and long, complicated duct runs.
- The design prioritise functionality, durability and longevity.
- Impeller with backward curved blades.
- The external rotor motor has maintenance-free sealed ball-bearings and is very energy efficient.

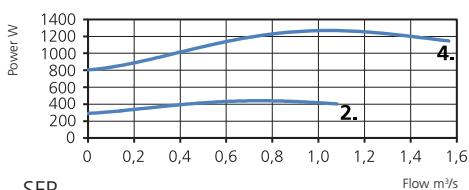
- Speed controlling can be done with the built-in potentiometer, 0-10 V alt. external control.
- Integrated motor protection.
- Junction box has enclosure class IP 54.
- The housing is manufactured from galvanized sheet steel.
- Duct connections are equipped with rubber seals.
- The fan is intended to be installed in a duct system.
- A duct connected fan can be installed outside or in damp environments.



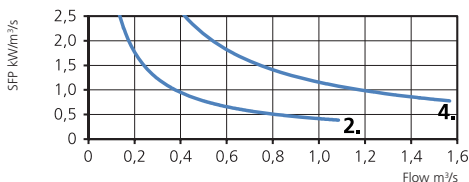
PRESSURE/FLOW



POWER/FLOW



SFP



TECHNICAL DATA

| | |
|-------------------------------------|-------------|
| Voltage | 400 V |
| Frequency | 50/60 Hz |
| Phase | 3 ~ |
| Current | 1.96 A |
| Power | 1270 W |
| Speed | 1800 r.p.m. |
| Capacitor | |
| Max. temp of transported air | 60 °C |
| Sound pressure level, 3 m | 63 dB(A) |
| Weight | 60.7 kg |
| Wiring diagram | 4040147 |

ACCESSORIES

- Mounting clamp MK 400
- Safety grille BSV 400
- Back draught shutter RSK 400
- Louvre shutter VK 400
- Filterbox FLK 400
- Filterbox FLF 400
- Speed controller MS EC
- Pressure regulator CALAIR-PR-230V
- Pressure regulator FKP-R

SOUND DATA

| | L_{wa} tot dB (A) | 63 | 125 | 250 | 500 | 1K | 2K | 4K | 8K |
|---------------------------|---------------------|----|-----|-----|-----|----|----|----|----|
| 4.Surrounding 10 V | 70 | 54 | 63 | 69 | 54 | 49 | 43 | 43 | 35 |
| 4.Outlet 10 V | 87 | 72 | 79 | 85 | 75 | 73 | 68 | 63 | 63 |
| 4.Inlet 10 V | 81 | 68 | 73 | 79 | 67 | 66 | 57 | 51 | 50 |
| 3.Inlet 8.5 V | 74 | 63 | 72 | 67 | 63 | 59 | 48 | 43 | 43 |
| 2.Inlet 7 V | 69 | 60 | 67 | 60 | 57 | 51 | 40 | 39 | 35 |
| 1.Inlet 5.5 V | 65 | 56 | 64 | 55 | 50 | 39 | 32 | 34 | 28 |

CONTROL VOLTAGE

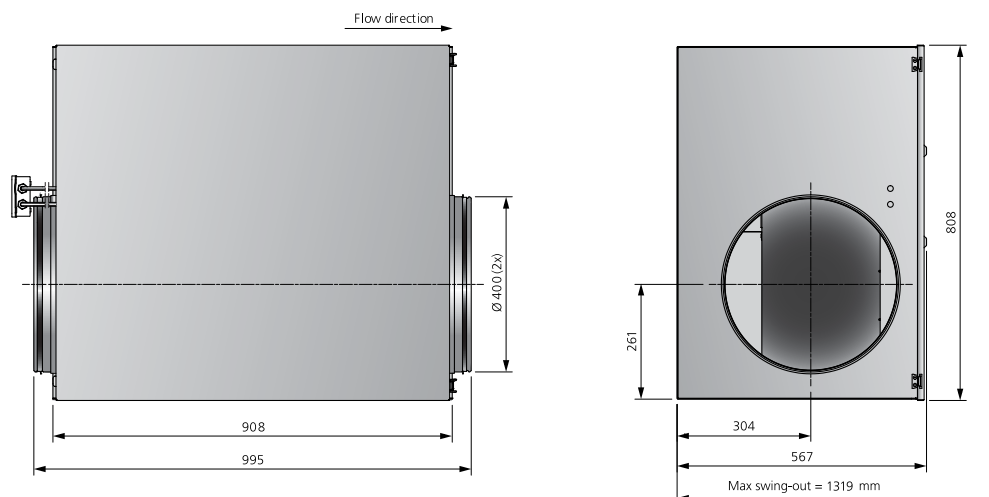
1. 5.5 V 2. 7 V 3. 8.5 V 4. 10 V

MORE INFORMATION



Find out the latest updated information about this product by visiting www.ostberg.com or by scanning QR code.

DIMENSIONS (mm)





- Insulated duct fan with circular connections.
- Equipped with 50 mm of thermal and acoustic insulation makes it ideal for handling cold air.
- Designed for high pressure and long, complicated duct runs.
- The design prioritise functionality, durability and longevity.
- Impeller with backward curved blades.
- The external rotor motor has maintenance-free sealed ball-bearings and is very energy efficient.

- Speed controlling can be done with the built-in potentiometer, 0-10 V alt. external control.
- Integrated motor protection.
- Junction box has enclosure class IP 54.
- The housing is manufactured from galvanized sheet steel.
- Duct connections are equipped with rubber seals.
- The fan is intended to be installed in a duct system.
- A duct connected fan can be installed outside or in damp environments.

ACCESSORIES

- Mounting clamp MK 400
- Safety grille BSV 400
- Back draught shutter RSK 400
- Louvre shutter VK 400
- Filterbox FLK 400
- Filterbox FLF 400
- Speed controller MS EC
- Pressure regulator CALAIR-PR-230V

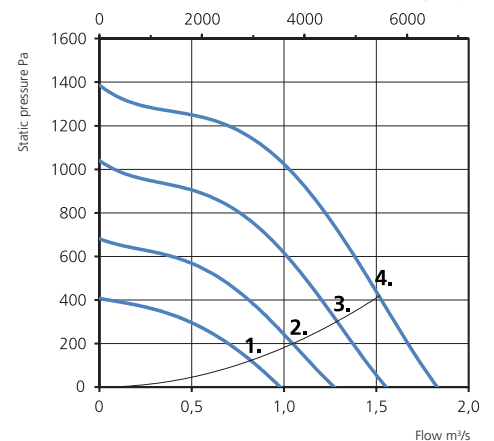
TECHNICAL DATA

| | |
|-------------------------------------|-------------|
| Voltage | 400 V |
| Frequency | 50/60 Hz |
| Phase | 3 ~ |
| Current | 3.25 A |
| Power | 2120 W |
| Speed | 2130 r.p.m. |
| Capacitor | |
| Max. temp of transported air | 40 °C |
| Sound pressure level, 3 m | 67 dB(A) |
| Weight | 62.1 kg |
| Wiring diagram | 4040147 |

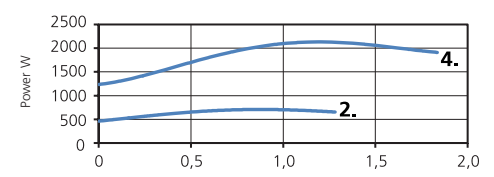
SOUND DATA

| | L_{wa} tot dB (A) | 63 | 125 | 250 | 500 | 1K | 2K | 4K | 8K |
|---------------------------|---------------------|----|-----|-----|-----|----|----|----|----|
| 4.Surrounding 10 V | 74 | 59 | 65 | 73 | 58 | 51 | 44 | 40 | 35 |
| 4.Outlet 10 V | 88 | 74 | 80 | 86 | 80 | 78 | 73 | 68 | 69 |
| 4.Inlet 10 V | 81 | 70 | 75 | 79 | 70 | 68 | 61 | 55 | 55 |
| 3.Inlet 8.5 V | 80 | 66 | 72 | 79 | 67 | 64 | 55 | 50 | 51 |
| 2.Inlet 7 V | 73 | 63 | 71 | 67 | 63 | 58 | 49 | 44 | 42 |
| 1.Inlet 5.5 V | 67 | 58 | 65 | 58 | 55 | 47 | 38 | 38 | 33 |

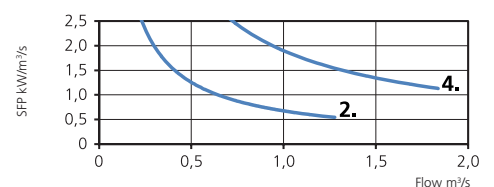
PRESSURE/FLOW



POWER/FLOW



SFP



MORE INFORMATION

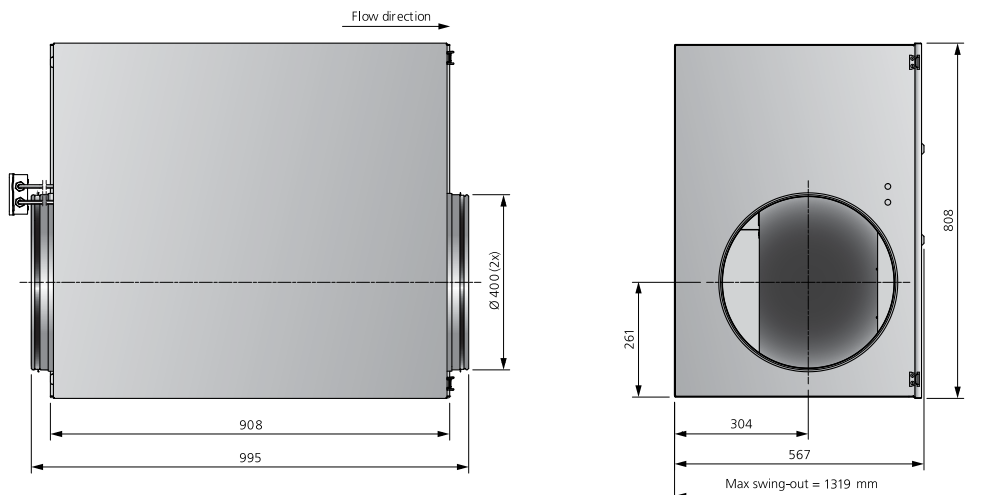


Find out the latest updated information about this product by visiting www.ostberg.com or by scanning QR code.

CONTROL VOLTAGE

1. 5.5 V 2. 7 V 3. 8.5 V 4. 10 V

DIMENSIONS (mm)



INSULATED DUCT FAN WITH CIRCULAR CONNECTIONS

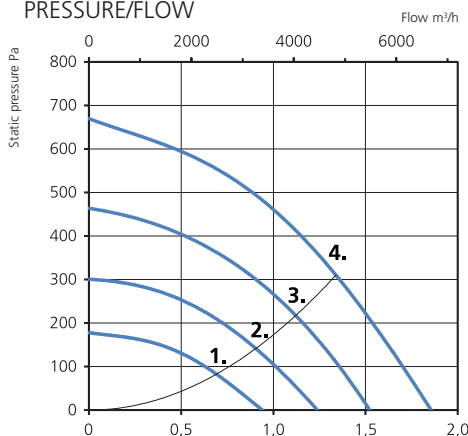
IRB 500 A3 EC

7890040

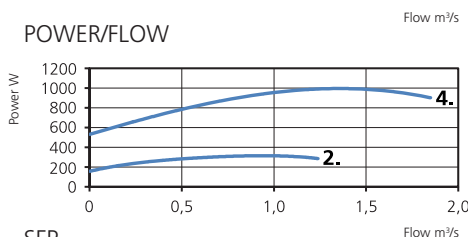
- Insulated duct fan with circular connections.
- Equipped with 50 mm of thermal and acoustic insulation makes it ideal for handling cold air.
- Designed for high pressure and long, complicated duct runs.
- The design prioritise functionality, durability and longevity.
- Impeller with backward curved blades.
- The external rotor motor has maintenance-free sealed ball-bearings and is very energy efficient.
- Speed controlling can be done with the built-in potentiometer, 0-10 V alt. external control.
- Integrated motor protection.
- Junction box has enclosure class IP 54.
- The housing is manufactured from galvanized sheet steel.
- Duct connections are equipped with rubber seals.
- The fan is intended to be installed in a duct system.
- A duct connected fan can be installed outside or in damp environments.



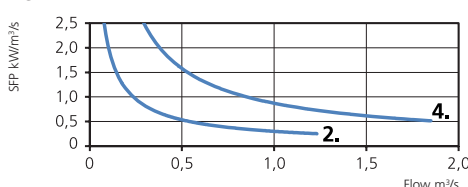
PRESSURE/FLOW



POWER/FLOW



SFP



TECHNICAL DATA

| | |
|------------------------------|-------------|
| Voltage | 400 V |
| Frequency | 50/60 Hz |
| Phase | 3 ~ |
| Current | 1.55 A |
| Power | 981 W |
| Speed | 1340 r.p.m. |
| Capacitor | |
| Max. temp of transported air | 60 °C |
| Sound pressure level, 3 m | 60 dB(A) |
| Weight | 79.7 kg |
| Wiring diagram | 4040147 |

ACCESSORIES

- Mounting clamp MK 500
- Safety grille BSV 500
- Back draught shutter RSK 500
- Louvre shutter VK 500
- Pressure regulator CALAIR-PR-230V
- Speed controller MS EC
- Pressure regulator FKP-R

SOUND DATA

| | L _{wa} tot dB (A) | 63 | 125 | 250 | 500 | 1K | 2K | 4K | 8K |
|--------------------|----------------------------|----|-----|-----|-----|----|----|----|----|
| 4.Surrounding 10 V | 67 | 53 | 65 | 61 | 49 | 42 | 37 | 32 | 30 |
| 4.Outlet 10 V | 82 | 67 | 79 | 75 | 71 | 69 | 65 | 63 | 64 |
| 4.Inlet 10 V | 74 | 62 | 72 | 66 | 56 | 53 | 51 | 47 | 47 |
| 3.Inlet 8.5 V | 71 | 59 | 70 | 60 | 50 | 49 | 46 | 43 | 43 |
| 2.Inlet 7 V | 69 | 56 | 68 | 55 | 43 | 43 | 41 | 41 | 34 |
| 1.Inlet 5.5 V | 60 | 54 | 58 | 46 | 34 | 37 | 35 | 36 | 25 |

CONTROL VOLTAGE

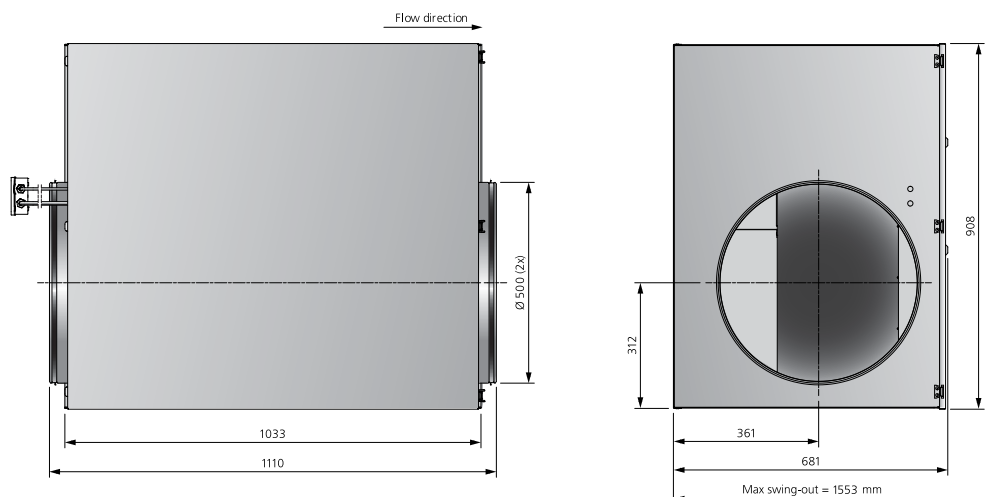
1. 5.5 V 2. 7 V 3. 8.5 V 4. 10 V

MORE INFORMATION



Find out the latest updated information about this product by visiting www.ostberg.com or by scanning QR code.

DIMENSIONS (mm)





- Insulated duct fan with circular connections.
- Equipped with 50 mm of thermal and acoustic insulation makes it ideal for handling cold air.
- Designed for high pressure and long, complicated duct runs.
- The design prioritise functionality, durability and longevity.
- Impeller with backward curved blades.
- The external rotor motor has maintenance-free sealed ball-bearings and is very energy efficient.

- Speed controlling can be done with the built-in potentiometer, 0-10 V alt. external control.
- Integrated motor protection.
- Junction box has enclosure class IP 54.
- The housing is manufactured from galvanized sheet steel.
- Duct connections are equipped with rubber seals.
- The fan is intended to be installed in a duct system.
- A duct connected fan can be installed outside or in damp environments.

ACCESSORIES

- Mounting clamp MK 500
- Safety grille BSV 500
- Back draught shutter RSK 500
- Louvre shutter VK 500
- Pressure regulator CALAIR-PR-230V
- Speed controller MS EC
- Pressure regulator FKP-R

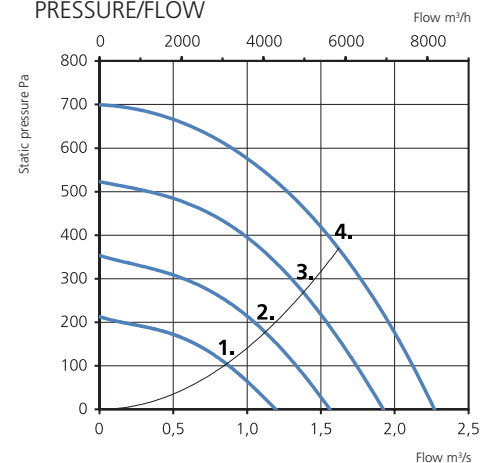
TECHNICAL DATA

| | |
|-------------------------------------|-------------|
| Voltage | 400 V |
| Frequency | 50/60 Hz |
| Phase | 3 ~ |
| Current | 2.09 A |
| Power | 1330 W |
| Speed | 1230 r.p.m. |
| Capacitor | |
| Max. temp of transported air | 40 °C |
| Sound pressure level, 3 m | 64 dB(A) |
| Weight | 99.3 kg |
| Wiring diagram | 4040147 |

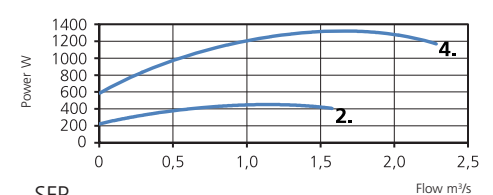
SOUND DATA

| | L _{WA} tot dB (A) | 63 | 125 | 250 | 500 | 1K | 2K | 4K | 8K |
|---------------------------|----------------------------|----|-----|-----|-----|----|----|----|----|
| 4.Surrounding 10 V | 71 | 52 | 71 | 56 | 47 | 41 | 38 | 36 | 33 |
| 4.Outlet 10 V | 80 | 67 | 79 | 69 | 65 | 65 | 62 | 58 | 61 |
| 4.Inlet 10 V | 71 | 61 | 70 | 61 | 56 | 51 | 47 | 44 | 45 |
| 3.Inlet 8.5 V | 69 | 59 | 68 | 57 | 51 | 46 | 44 | 39 | 42 |
| 2.Inlet 7 V | 64 | 59 | 62 | 51 | 43 | 41 | 37 | 36 | 35 |
| 1.Inlet 5.5 V | 58 | 56 | 53 | 45 | 33 | 34 | 30 | 33 | 29 |

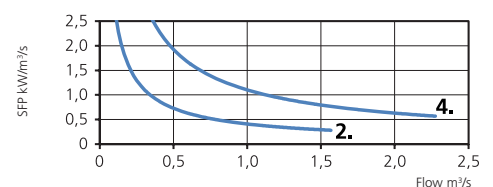
PRESSURE/FLOW



POWER/FLOW



SFP



MORE INFORMATION

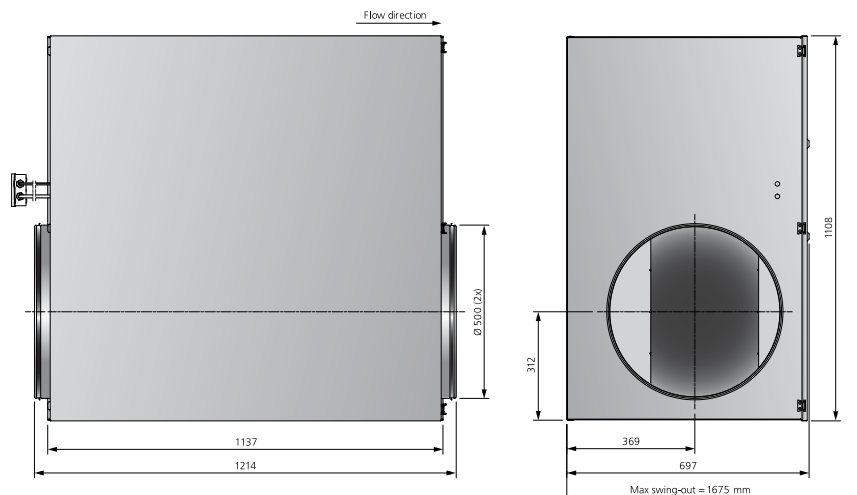


Find out the latest updated information about this product by visiting www.ostberg.com or by scanning QR code.

CONTROL VOLTAGE

1. 5.5 V 2. 7 V 3. 8.5 V 4. 10 V

DIMENSIONS (mm)

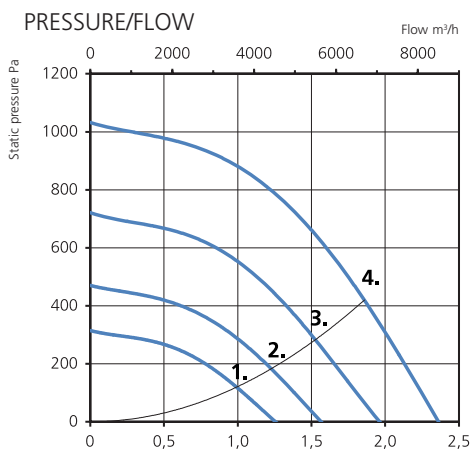


INSULATED DUCT FAN WITH CIRCULAR CONNECTIONS

IRB 500 E3 EC

7890041

- Insulated duct fan with circular connections.
- Equipped with 50 mm of thermal and acoustic insulation makes it ideal for handling cold air.
- Designed for high pressure and long, complicated duct runs.
- The design prioritise functionality, durability and longevity.
- Impeller with backward curved blades.
- The external rotor motor has maintenance-free sealed ball-bearings and is very energy efficient.
- Speed controlling can be done with the built-in potentiometer, 0-10 V alt. external control.
- Integrated motor protection.
- Junction box has enclosure class IP 54.
- The housing is manufactured from galvanized sheet steel.
- Duct connections are equipped with rubber seals.
- The fan is intended to be installed in a duct system.
- A duct connected fan can be installed outside or in damp environments.

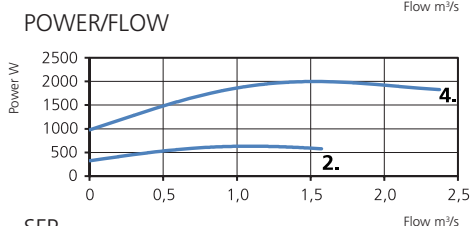


TECHNICAL DATA

| | |
|-------------------------------------|-------------|
| Voltage | 400 V |
| Frequency | 50/60 Hz |
| Phase | 3 ~ |
| Current | 3.05 A |
| Power | 2000 W |
| Speed | 1710 r.p.m. |
| Capacitor | |
| Max. temp of transported air | 60 °C |
| Sound pressure level, 3 m | 69 dB(A) |
| Weight | 89.5 kg |
| Wiring diagram | 4040147 |

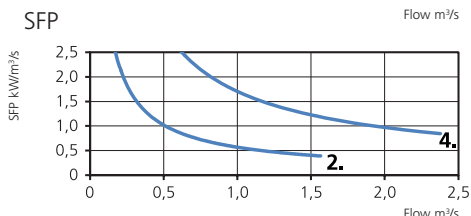
ACCESSORIES

- Mounting clamp MK 500
- Safety grille BSV 500
- Back draught shutter RSK 500
- Louvre shutter VK 500
- Pressure regulator CALAIR-PR-230V
- Speed controller MS EC



SOUND DATA

| | L _{wa} tot dB (A) | 63 | 125 | 250 | 500 | 1K | 2K | 4K | 8K |
|---------------------------|----------------------------|----|-----|-----|-----|----|----|----|----|
| 4.Surrounding 10 V | 76 | 59 | 68 | 75 | 58 | 48 | 43 | 38 | 33 |
| 4.Outlet 10 V | 89 | 72 | 81 | 86 | 80 | 78 | 75 | 71 | 71 |
| 4.Inlet 10 V | 80 | 70 | 76 | 76 | 64 | 61 | 59 | 54 | 55 |
| 3.Inlet 8.5 V | 77 | 66 | 75 | 70 | 59 | 56 | 54 | 50 | 51 |
| 2.Inlet 7 V | 72 | 61 | 71 | 62 | 52 | 50 | 48 | 44 | 45 |
| 1.Inlet 5.5 V | 70 | 57 | 70 | 55 | 43 | 43 | 41 | 41 | 34 |



CONTROL VOLTAGE

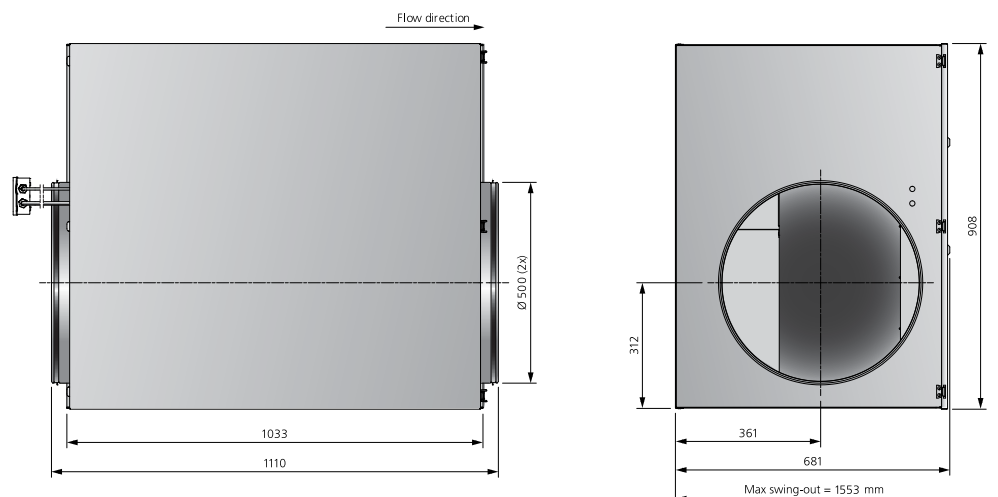
1. 5.5 V 2. 7 V 3. 8.5 V 4. 10 V

MORE INFORMATION



Find out the latest updated information about this product by visiting www.ostberg.com or by scanning QR code.

DIMENSIONS (mm)





- Insulated duct fan with circular connections.
- Equipped with 50 mm of thermal and acoustic insulation makes it ideal for handling cold air.
- Designed for high pressure and long, complicated duct runs.
- The design prioritise functionality, durability and longevity.
- Impeller with backward curved blades.
- The external rotor motor has maintenance-free sealed ball-bearings and is very energy efficient.

- Speed controlling can be done with the built-in potentiometer, 0-10 V alt. external control.
- Integrated motor protection.
- Junction box has enclosure class IP 54.
- The housing is manufactured from galvanized sheet steel.
- Duct connections are equipped with rubber seals.
- The fan is intended to be installed in a duct system.
- A duct connected fan can be installed outside or in damp environments.

ACCESSORIES

- Mounting clamp MK 500
- Safety grille BSV 500
- Back draught shutter RSK 500
- Louvre shutter VK 500
- Pressure regulator CALAIR-PR-230V
- Speed controller MS EC
- Pressure regulator FKP-R

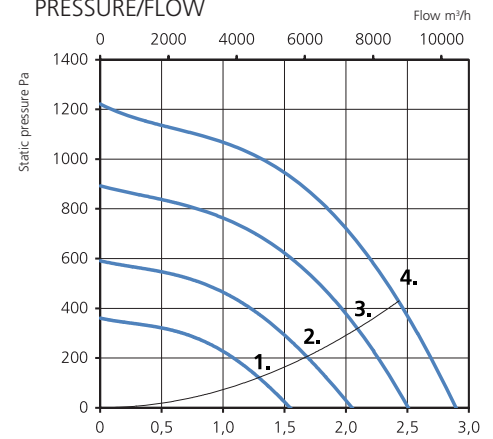
TECHNICAL DATA

| | |
|-------------------------------------|-------------|
| Voltage | 400 V |
| Frequency | 50/60 Hz |
| Phase | 3 ~ |
| Current | 4.47 A |
| Power | 2916 W |
| Speed | 1620 r.p.m. |
| Capacitor | |
| Max. temp of transported air | 60 °C |
| Sound pressure level, 3 m | 67 dB(A) |
| Weight | 111.6 kg |
| Wiring diagram | 4040147 |

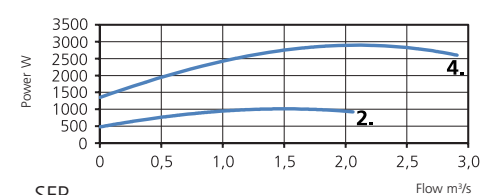
SOUND DATA

| | L_{WA} tot dB (A) | 63 | 125 | 250 | 500 | 1K | 2K | 4K | 8K |
|---------------------------|---------------------|----|-----|-----|-----|----|----|----|----|
| 4.Surrounding 10 V | 74 | 61 | 71 | 69 | 58 | 48 | 42 | 40 | 39 |
| 4.Outlet 10 V | 86 | 74 | 82 | 80 | 77 | 77 | 72 | 70 | 68 |
| 4.Inlet 10 V | 79 | 69 | 77 | 72 | 67 | 63 | 57 | 55 | 54 |
| 3.Inlet 8.5 V | 76 | 66 | 75 | 67 | 63 | 58 | 53 | 50 | 49 |
| 2.Inlet 7 V | 72 | 62 | 71 | 61 | 58 | 50 | 46 | 44 | 43 |
| 1.Inlet 5.5 V | 68 | 62 | 66 | 55 | 48 | 42 | 39 | 37 | 34 |

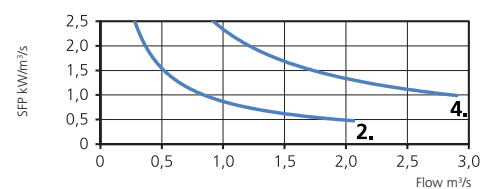
PRESSURE/FLOW



POWER/FLOW



SFP



MORE INFORMATION

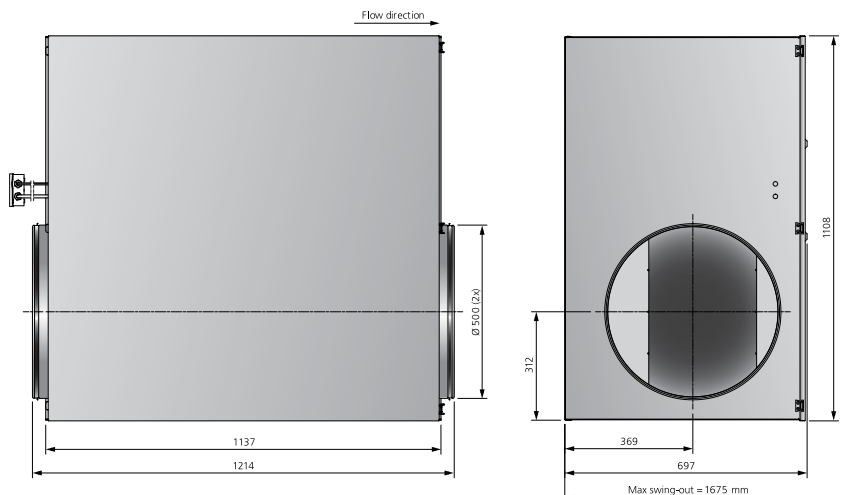


Find out the latest updated information about this product by visiting www.ostberg.com or by scanning QR code.

CONTROL VOLTAGE

1. 5.5 V 2. 7 V 3. 8.5 V 4. 10 V

DIMENSIONS (mm)

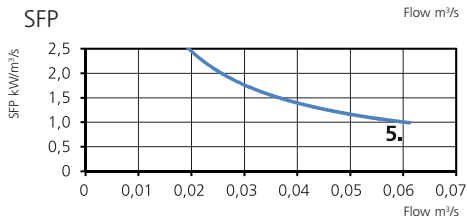
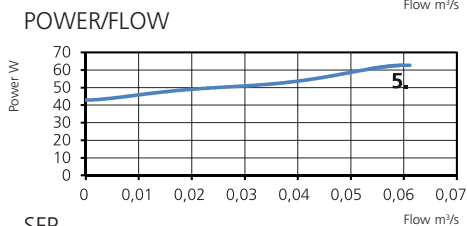
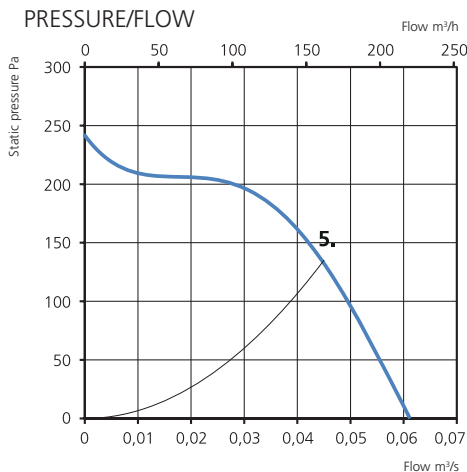


INSULATED DUCT FAN WITH CIRCULAR CONNECTIONS

IRE 125 A1

7900073

- Insulated duct fan with circular connections.
- Equipped with 50 mm of thermal and acoustic insulation makes it ideal for handling cold air.
- Designed for high pressure and long duct runs.
- The design prioritise functionality, durability and longevity.
- Impeller with forward curved blades.
- The external rotor motor has maintenance-free sealed ball-bearings.
- Integrated motor protection.
- Junction box has enclosure class IP 54.
- For speed control a transformer or electronic speed controller can be connected.
- The housing is manufactured from galvanized sheet steel.
- Duct connections are equipped with rubber seals.
- The fan is intended to be installed in a duct system.
- A duct connected fan can be installed outside or in damp environments .
- To comply with the ErP 2018 regulation, a local demand controller must be used.



TECHNICAL DATA

| | |
|-------------------------------------|-------------|
| Voltage | 230 V |
| Frequency | 50 Hz |
| Phase | 1 ~ |
| Current | 0.27 A |
| Power | 61 W |
| Speed | 1130 r.p.m. |
| Capacitor | 4 µF |
| Max. temp of transported air | 70 °C |
| Sound pressure level, 3 m | 29 dB(A) |
| Weight | 9.7 kg |
| Wiring diagram | 4040002 |

ACCESSORIES

- Mounting bracket Kit Universal
- Mounting clamp MK 125
- Safety grilal BSV 125
- Back draught shutter RSK 125
- Louvre YG 125
- Louvre shutter VK 125
- Filterbox FLK 125
- Filterbox FLF 125
- Silencer LDC 125
- Transformer controller VRTE C
- Transformer controller VRDE 1.5
- Speed controller VRS 0.5
- Local Demand Controller Kit

SOUND DATA

| | L_{wa} tot dB (A) | 63 | 125 | 250 | 500 | 1K | 2K | 4K | 8K |
|----------------------------|---------------------|----|-----|-----|-----|----|----|----|----|
| 5.Surrounding 230 V | 36 | 26 | 29 | 28 | 27 | 27 | 25 | 26 | 27 |
| 5.Outlet 230 V | 61 | 47 | 54 | 54 | 55 | 56 | 50 | 43 | 30 |
| 5.Inlet 230 V | 54 | 35 | 51 | 49 | 44 | 38 | 33 | 29 | 17 |

TRANSFORMER STEPS

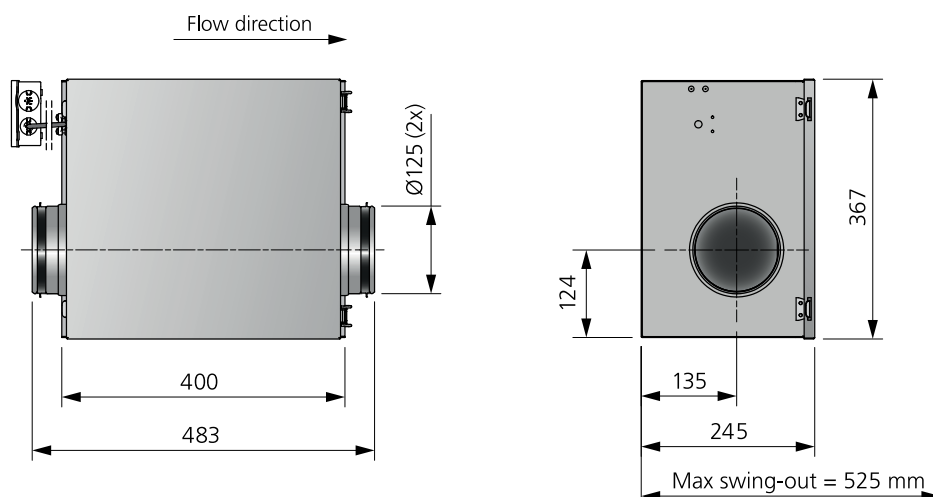
- 5. 230 V

MORE INFORMATION



Find out the latest updated information about this product by visiting www.ostberg.com or by scanning QR code.

DIMENSIONS (mm)





- Insulated duct fan with circular connections.
- Equipped with 50 mm of thermal and acoustic insulation makes it ideal for handling cold air.
- Designed for high pressure and long duct runs.
- The design prioritise functionality, durability and longevity.
- Impeller with forward curved blades.
- The external rotor motor has maintenance-free sealed ball-bearings.
- Integrated motor protection.

- Junction box has enclosure class IP 54.
- For speed control a transformer or electronic speed controller can be connected.
- The housing is manufactured from galvanized sheet steel.
- Duct connections are equipped with rubber seals.
- The fan is intended to be installed in a duct system.
- A duct connected fan can be installed outside or in damp environments .
- To comply with the ErP 2018 regulation, a local demand controller must be used.

ACCESSORIES

- Mounting bracket Kit Universal
- Mounting clamp MK 125
- Safety grille BSV 125
- Back draught shutter RSK 125
- Louvre YG 125
- Louvre shutter VK 125
- Filterbox FLK 125
- Filterbox FLF 125
- Silencer LDC 125
- Transformer controller VRTE C
- Transformer controller VRDE 1.5
- Speed controller VRS 0.5
- Local Demand Controller Kit

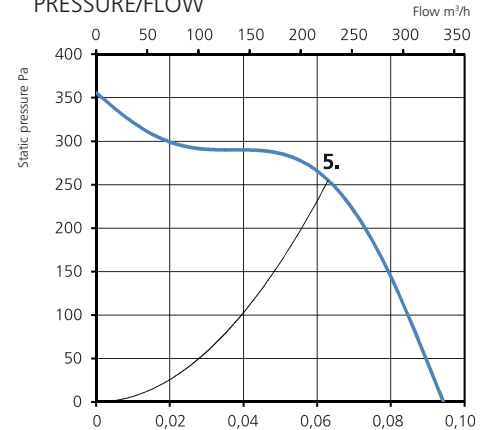
TECHNICAL DATA

| | |
|-------------------------------------|-------------|
| Voltage | 230 V |
| Frequency | 50 Hz |
| Phase | 1 ~ |
| Current | 0.42 A |
| Power | 99 W |
| Speed | 1650 r.p.m. |
| Capacitor | 2 µF |
| Max. temp of transported air | 70 °C |
| Sound pressure level, 3 m | 36 dB(A) |
| Weight | 9.7 kg |
| Wiring diagram | 4040001 |

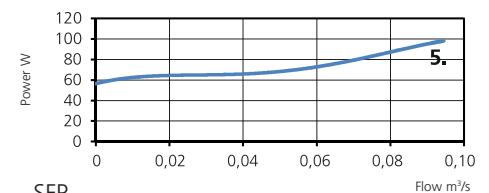
SOUND DATA

| | L_{wa} tot dB (A) | 63 | 125 | 250 | 500 | 1K | 2K | 4K | 8K |
|----------------------------|---------------------|----|-----|-----|-----|----|----|----|----|
| 5.Surrounding 230 V | 43 | 34 | 35 | 39 | 34 | 32 | 28 | 27 | 28 |
| 5.Outlet 230 V | 69 | 54 | 60 | 61 | 64 | 62 | 60 | 53 | 43 |
| 5.Inlet 230 V | 60 | 42 | 57 | 55 | 51 | 44 | 40 | 37 | 27 |

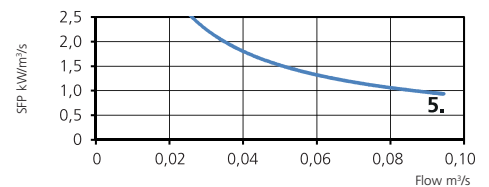
PRESSURE/FLOW



POWER/FLOW



SFP



MORE INFORMATION

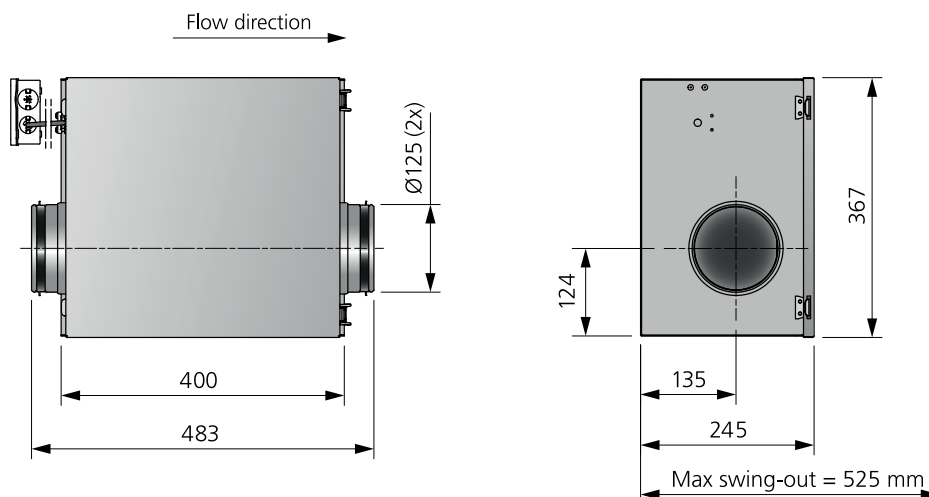


Find out the latest updated information about this product by visiting www.ostberg.com or by scanning QR code.

TRANSFORMER STEPS

5. 230 V

DIMENSIONS (mm)

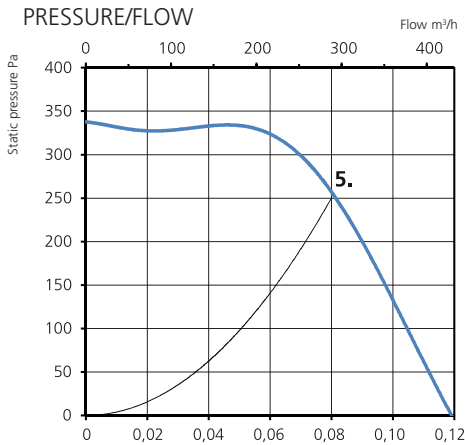


INSULATED DUCT FAN WITH CIRCULAR CONNECTIONS

IRE 125 C1

7900077

- Insulated duct fan with circular connections.
- Equipped with 50 mm of thermal and acoustic insulation makes it ideal for handling cold air.
- Designed for high pressure and long duct runs.
- The design prioritise functionality, durability and longevity.
- Impeller with forward curved blades.
- The external rotor motor has maintenance-free sealed ball-bearings.
- Integrated motor protection.
- Junction box has enclosure class IP 54.
- For speed control a transformer or electronic speed controller can be connected.
- The housing is manufactured from galvanized sheet steel.
- Duct connections are equipped with rubber seals.
- The fan is intended to be installed in a duct system.
- A duct connected fan can be installed outside or in damp environments .
- To comply with the ErP 2018 regulation, a local demand controller must be used.

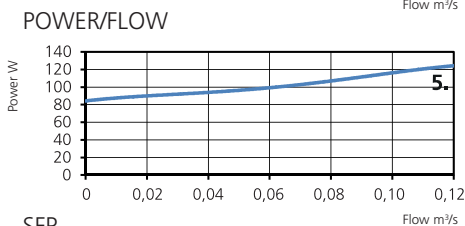


TECHNICAL DATA

| | |
|-------------------------------------|-------------|
| Voltage | 230 V |
| Frequency | 50 Hz |
| Phase | 1 ~ |
| Current | 0.53 A |
| Power | 122 W |
| Speed | 1850 r.p.m. |
| Capacitor | 4 µF |
| Max. temp of transported air | 70 °C |
| Sound pressure level, 3 m | 37 dB(A) |
| Weight | 9.7 kg |
| Wiring diagram | 4040001 |

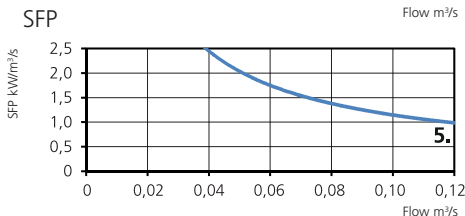
ACCESSORIES

- Mounting bracket Kit Universal
- Mounting clamp MK 125
- Safety grille BSV 125
- Back draught shutter RSK 125
- Louvre YG 125
- Louvre shutter VK 125
- Filterbox FLK 125
- Filterbox FLF 125
- Silencer LDC 125
- Transformer controller VRTE C
- Transformer controller VRDE 1.5
- Speed controller VRS 1.0
- Local Demand Controller Kit



SOUND DATA

| | L_{wa} tot dB (A) | 63 | 125 | 250 | 500 | 1K | 2K | 4K | 8K |
|----------------------------|---------------------|----|-----|-----|-----|----|----|----|----|
| 5.Surrounding 230 V | 44 | 28 | 36 | 42 | 36 | 33 | 29 | 28 | 28 |
| 5.Outlet 230 V | 71 | 56 | 63 | 64 | 66 | 64 | 62 | 55 | 46 |
| 5.Inlet 230 V | 62 | 43 | 60 | 57 | 54 | 46 | 43 | 40 | 31 |



TRANSFORMER STEPS

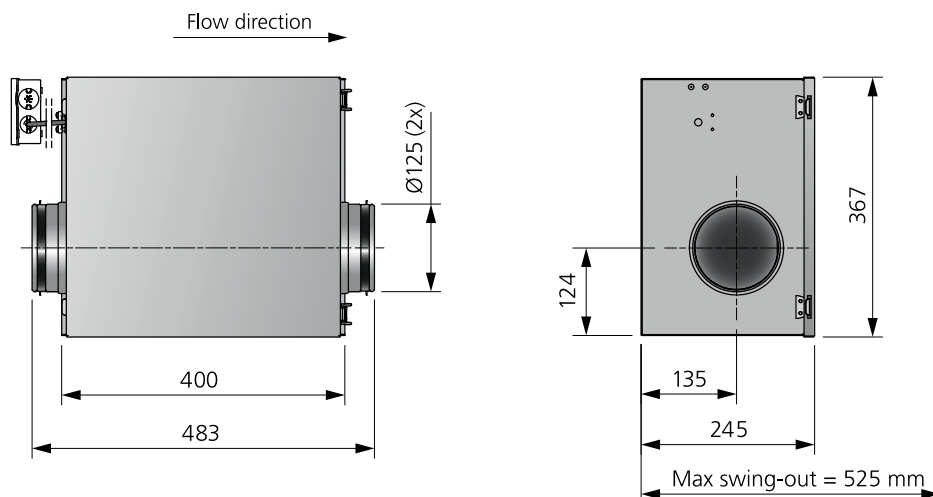
- 5. 230 V

MORE INFORMATION



Find out the latest updated information about this product by visiting www.ostberg.com or by scanning QR code.

DIMENSIONS (mm)





- Insulated duct fan with circular connections.
- Equipped with 50 mm of thermal and acoustic insulation makes it ideal for handling cold air.
- Designed for high pressure and long duct runs.
- The design prioritise functionality, durability and longevity.
- Impeller with forward curved blades.
- The external rotor motor has maintenance-free sealed ball-bearings.
- Integrated motor protection.
- Junction box has enclosure class IP 54.

- For speed control a transformer or electronic speed controller can be connected.
- The housing is manufactured from galvanized sheet steel.
- Duct connections are equipped with rubber seals.
- The fan is intended to be installed in a duct system.
- A duct connected fan can be installed outside or in damp environments .
- To comply with the ErP 2018 regulation, a local demand controller must be used.

ACCESSORIES

- Mounting bracket Kit Universal
- Mounting clamp MK 160
- Safety grille BSV 160
- Back draught shutter RSK 160
- Louvre YG 160
- Louvre shutter VK 160
- Filterbox FLK 160
- Filterbox FLF 160
- Silencer LDC 160
- Transformer controller VRTE C
- Transformer controller VRDE 1.5
- Speed controller VRS 0.5
- Local Demand Controller Kit

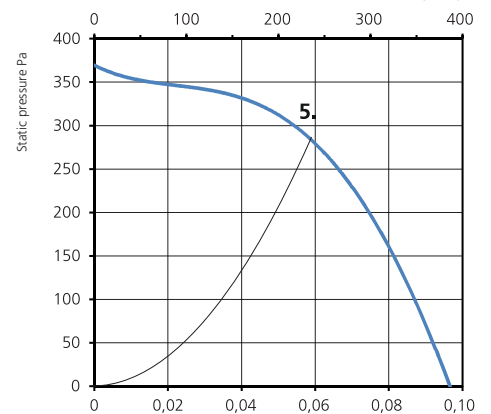
TECHNICAL DATA

| | |
|-------------------------------------|-------------|
| Voltage | 230 V |
| Frequency | 50 Hz |
| Phase | 1 ~ |
| Current | 0.46 A |
| Power | 105 W |
| Speed | 1650 r.p.m. |
| Capacitor | 2 µF |
| Max. temp of transported air | 70 °C |
| Sound pressure level, 3 m | 38 dB(A) |
| Weight | 10.1 kg |
| Wiring diagram | 4040001 |

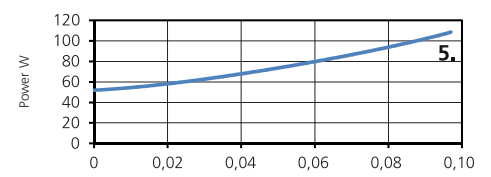
SOUND DATA

| | L _{WA} tot dB (A) | 63 | 125 | 250 | 500 | 1K | 2K | 4K | 8K |
|----------------------------|----------------------------|----|-----|-----|-----|----|----|----|----|
| 5.Surrounding 230 V | 45 | 28 | 39 | 41 | 35 | 31 | 29 | 27 | 28 |
| 5.Outlet 230 V | 69 | 55 | 61 | 62 | 64 | 62 | 60 | 54 | 45 |
| 5.Inlet 230 V | 60 | 43 | 57 | 56 | 52 | 45 | 40 | 36 | 27 |

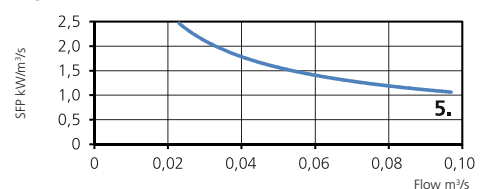
PRESSURE/FLOW



POWER/FLOW



SFP



MORE INFORMATION

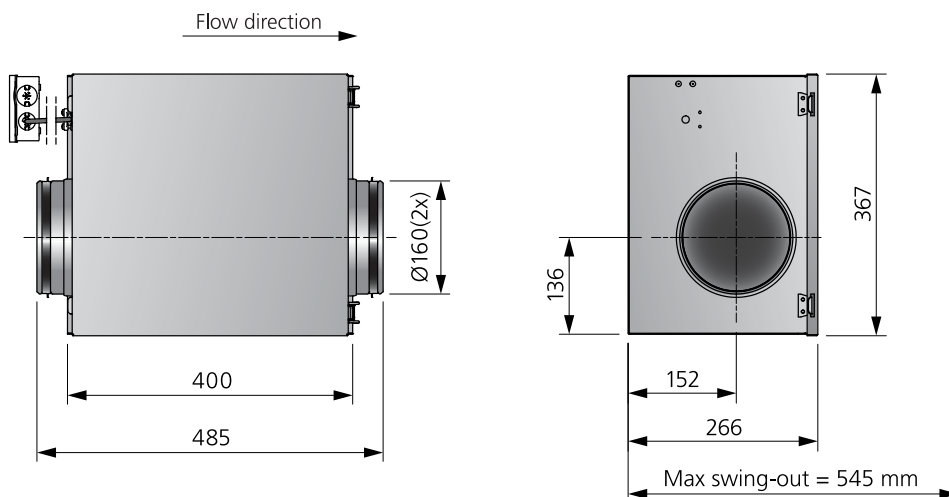


Find out the latest updated information about this product by visiting www.ostberg.com or by scanning QR code.

TRANSFORMER STEPS

5. 230 V

DIMENSIONS (mm)



INSULATED DUCT FAN WITH CIRCULAR CONNECTIONS

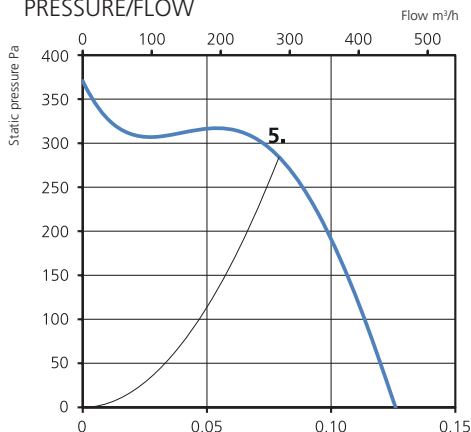
IRE 160 C1

7900084

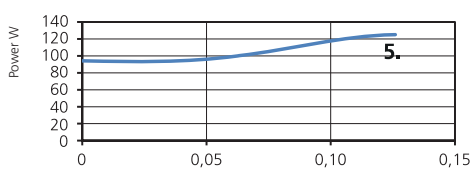
- Insulated duct fan with circular connections.
- Equipped with 50 mm of thermal and acoustic insulation makes it ideal for handling cold air.
- Designed for high pressure and long duct runs.
- The design prioritise functionality, durability and longevity.
- Impeller with forward curved blades.
- The external rotor motor has maintenance-free sealed ball-bearings.
- Integrated motor protection.
- Junction box has enclosure class IP 54.
- For speed control a transformer or electronic speed controller can be connected.
- The housing is manufactured from galvanized sheet steel.
- Duct connections are equipped with rubber seals.
- The fan is intended to be installed in a duct system.
- A duct connected fan can be installed outside or in damp environments .
- To comply with the ErP 2018 regulation, a local demand controller must be used.



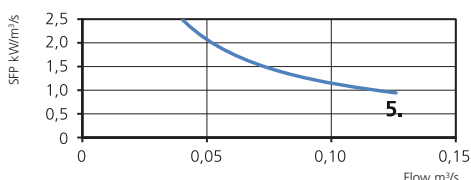
PRESSURE/FLOW



POWER/FLOW



SFP



TECHNICAL DATA

| | |
|-------------------------------------|-------------|
| Voltage | 230 V |
| Frequency | 50 Hz |
| Phase | 1 ~ |
| Current | 0.55 A |
| Power | 127 W |
| Speed | 1850 r.p.m. |
| Capacitor | 4 µF |
| Max. temp of transported air | 70 °C |
| Sound pressure level, 3 m | 38 dB(A) |
| Weight | 10.1 kg |
| Wiring diagram | 4040001 |

ACCESSORIES

- Mounting bracket Kit Universal
- Mounting clamp MK 160
- Safety grille BSV 160
- Back draught shutter RSK 160
- Louvre YG 160
- Louvre shutter VK 160
- FLK 150/160 Filter
- FLF 160 Filter
- Silencer LDC 160
- Transformer controller VRTE C
- Transformer controller VRDE 1.5
- Speed controller VRS 1.0
- Local Demand Controller Kit

SOUND DATA

| | L_{wa} tot dB (A) | 63 | 125 | 250 | 500 | 1K | 2K | 4K | 8K |
|----------------------------|---------------------|----|-----|-----|-----|----|----|----|----|
| 5.Surrounding 230 V | 45 | 29 | 37 | 42 | 37 | 34 | 30 | 28 | 28 |
| 5.Outlet 230 V | 71 | 58 | 64 | 64 | 65 | 63 | 62 | 56 | 47 |
| 5.Inlet 230 V | 63 | 45 | 60 | 57 | 53 | 46 | 42 | 38 | 29 |

TRANSFORMER STEPS

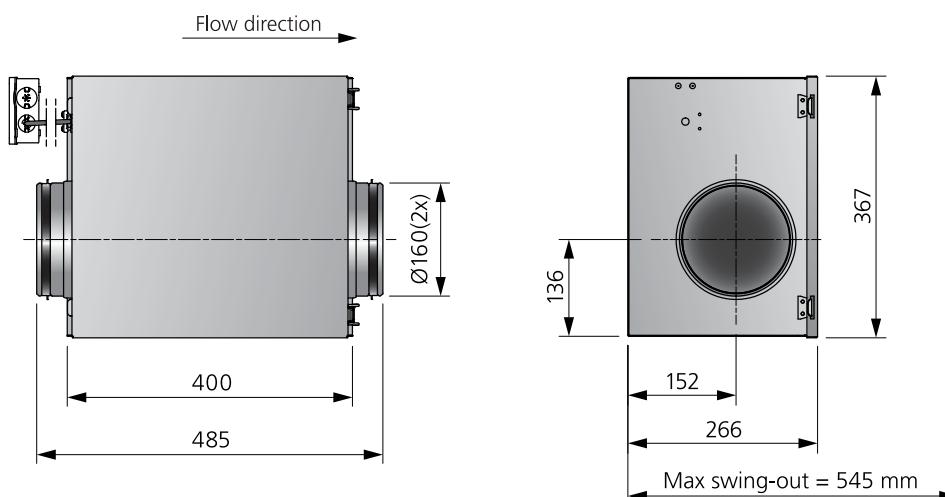
- 5. 230 V

MORE INFORMATION



Find out the latest updated information about this product by visiting www.ostberg.com or by scanning QR code.

DIMENSIONS (mm)





- Insulated duct fan with circular connections.
- Equipped with 50 mm of thermal and acoustic insulation makes it ideal for handling cold air.
- Designed for high pressure and long duct runs.
- The design prioritise functionality, durability and longevity.
- Impeller with forward curved blades.
- The external rotor motor has maintenance-free sealed ball-bearings.
- Integrated motor protection.
- Junction box has enclosure class IP 54.

- For speed control a transformer or electronic speed controller can be connected.
- The housing is manufactured from galvanized sheet steel.
- Duct connections are equipped with rubber seals.
- The fan is intended to be installed in a duct system.
- A duct connected fan can be installed outside or in damp environments .
- To comply with the ErP 2018 regulation, a local demand controller must be used.

ACCESSORIES

- Mounting bracket Kit Universal
- Mounting clamp MK 160
- Safety grille BSV 160
- Back draught shutter RSK 160
- Louvre YG 160
- Louvre shutter VK 160
- Filterbox FLK 160
- Filterbox FLF 160
- Silencer LDC 160
- Transformer controller VRTE C
- Transformer controller VRDE 1.5
- Speed controller VRS 1.0
- Local Demand Controller Kit

TECHNICAL DATA

| | |
|-------------------------------------|-------------|
| Voltage | 230 V |
| Frequency | 50 Hz |
| Phase | 1 ~ |
| Current | 0.72 A |
| Power | 164 W |
| Speed | 2220 r.p.m. |
| Capacitor | 4 µF |
| Max. temp of transported air | 70 °C |
| Sound pressure level, 3 m | 43 dB(A) |
| Weight | 10.3 kg |
| Wiring diagram | 4040001 |

SOUND DATA

| | L_{wa} tot dB (A) | 63 | 125 | 250 | 500 | 1K | 2K | 4K | 8K |
|----------------------------|---------------------|----|-----|-----|-----|----|----|----|----|
| 5.Surrounding 230 V | 50 | 33 | 47 | 44 | 41 | 35 | 32 | 30 | 29 |
| 5.Outlet 230 V | 79 | 64 | 69 | 71 | 72 | 69 | 71 | 69 | 69 |
| 5.Inlet 230 V | 67 | 50 | 66 | 60 | 53 | 44 | 48 | 46 | 45 |
| 4.Inlet 165 V | 62 | 45 | 60 | 54 | 47 | 40 | 42 | 39 | 37 |
| 3.Inlet 135 V | 57 | 42 | 55 | 49 | 40 | 36 | 35 | 32 | 28 |
| 2.Inlet 110 V | 51 | 34 | 50 | 43 | 35 | 29 | 28 | 24 | 17 |
| 1.Inlet 80 V | 43 | 28 | 42 | 34 | 27 | 18 | 16 | 11 | 10 |

MORE INFORMATION

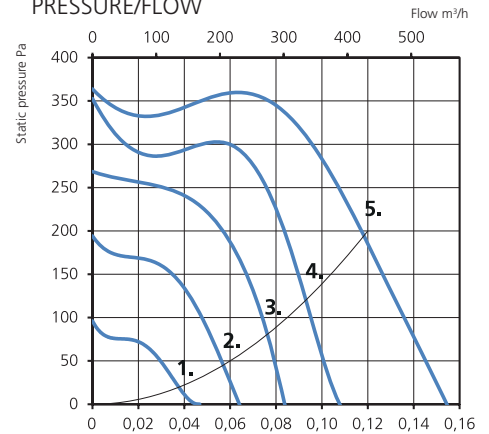


Find out the latest updated information about this product by visiting www.ostberg.com or by scanning QR code.

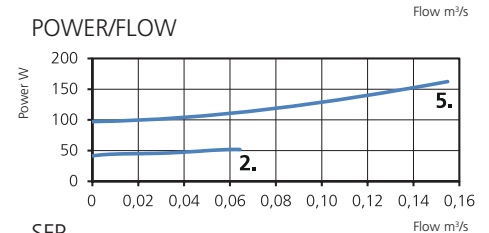
TRANSFORMER STEPS

1. 80 V 2. 110 V 3. 135 V 4. 165 V 5. 230 V

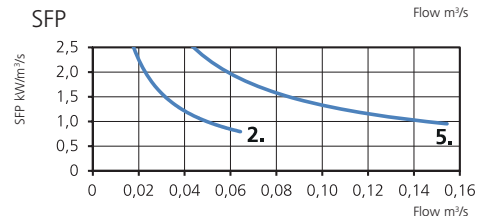
PRESSURE/FLOW



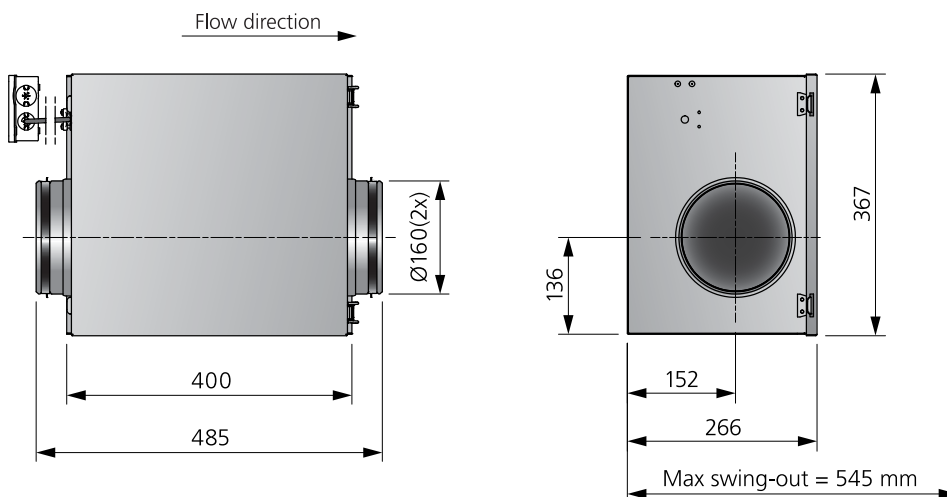
POWER/FLOW



SFP



DIMENSIONS (mm)



INSULATED DUCT FAN WITH CIRCULAR CONNECTIONS

IRE 200 C1

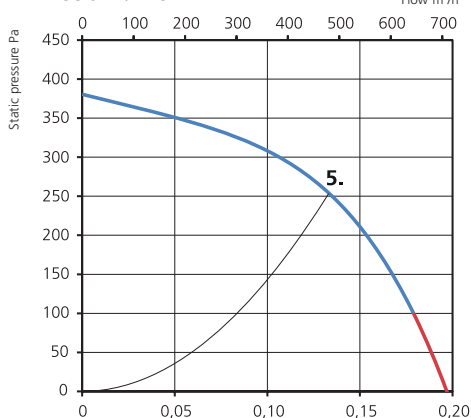
7900089

- Insulated duct fan with circular connections.
- Equipped with 50 mm of thermal and acoustic insulation makes it ideal for handling cold air.
- Designed for high pressure and long duct runs.
- The design prioritise functionality, durability and longevity.
- Impeller with forward curved blades.
- The external rotor motor has maintenance-free sealed ball-bearings.
- Integrated motor protection.
- Junction box has enclosure class IP 54.
- For speed control a transformer or electronic speed controller can be connected.
- The housing is manufactured from galvanized sheet steel.
- Duct connections are equipped with rubber seals.
- The fan is intended to be installed in a duct system.
- A duct connected fan can be installed outside or in damp environments.

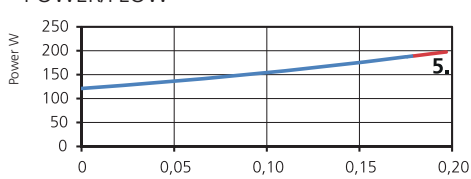


This product is not sold within the EU.

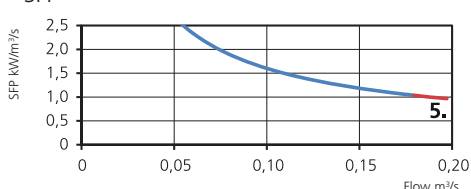
PRESSURE/FLOW



POWER/FLOW



SFP



TECHNICAL DATA

| | |
|-------------------------------------|-------------|
| Voltage | 230 V |
| Frequency | 50 Hz |
| Phase | 1 ~ |
| Current | 0.86 A |
| Power | 199 W |
| Speed | 1800 r.p.m. |
| Capacitor | 5 µF |
| Max. temp of transported air | 70 °C |
| Sound pressure level, 3 m | 39 dB(A) |
| Weight | 12.1 kg |
| Wiring diagram | 4040001 |

ACCESSORIES

- Mounting bracket Kit Universal
- Mounting clamp MK 200
- Safety grille BSV 200
- Back draught shutter RSK 200
- Louvre YG 200
- Louvre shutter VK 200
- Filterbox FLK 200
- Filterbox FLF 200
- Silencer LDC 200
- Transformer controller VRTE C
- Transformer controller VRDE 1.5
- Speed controller VRS 1.0

SOUND DATA

| | L_{WA} tot dB (A) | 63 | 125 | 250 | 500 | 1K | 2K | 4K | 8K |
|----------------------------|---------------------|----|-----|-----|-----|----|----|----|----|
| 5.Surrounding 230 V | 46 | 36 | 42 | 39 | 40 | 34 | 32 | 30 | 27 |
| 5.Outlet 230 V | 72 | 57 | 63 | 62 | 63 | 66 | 66 | 60 | 52 |
| 5.Inlet 230 V | 64 | 50 | 59 | 58 | 58 | 53 | 53 | 50 | 39 |

TRANSFORMER STEPS

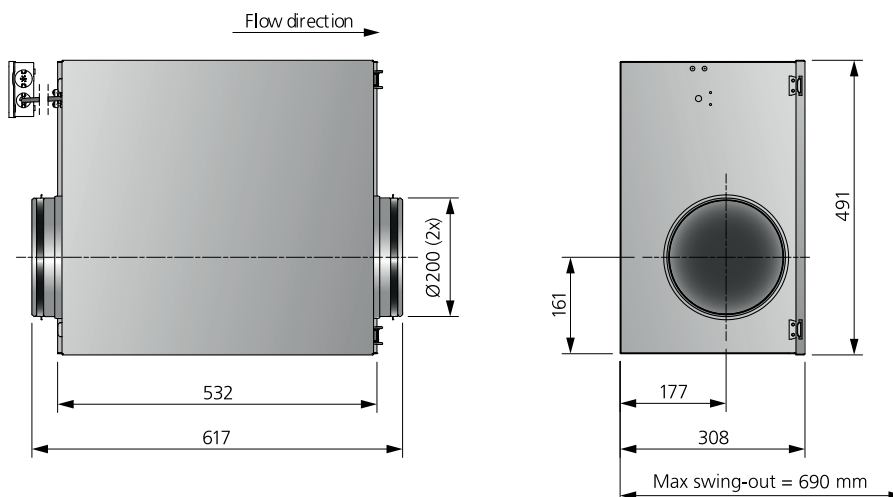
5. 230 V

MORE INFORMATION



Find out the latest updated information about this product by visiting www.ostberg.com or by scanning QR code.

DIMENSIONS (mm)





- Insulated duct fan with circular connections.
- Equipped with 50 mm of thermal and acoustic insulation makes it ideal for handling cold air.
- Designed for high pressure and long duct runs.
- The design prioritise functionality, durability and longevity.
- Impeller with forward curved blades.
- The external rotor motor has maintenance-free sealed ball-bearings.
- Integrated motor protection.
- Junction box has enclosure class IP 54.

- For speed control a transformer or electronic speed controller can be connected.
- The housing is manufactured from galvanized sheet steel.
- Duct connections are equipped with rubber seals.
- The fan is intended to be installed in a duct system.
- A duct connected fan can be installed outside or in damp environments .
- To comply with the ErP 2018 regulation, a local demand controller must be used.

ACCESSORIES

- Mounting bracket Kit Universal
- Mounting clamp MK 250
- Safety grille BSV 250
- Back draught shutter RSK 250
- Louvre YG 250
- Louvre shutter VK 250
- Filterbox FLK 250
- Filterbox FLF 250
- Silencer LDC 250
- Transformer controller VRTE 1
- Transformer controller VRDE 1.5
- Speed controller VRS 2.0
- Local Demand Controller Kit

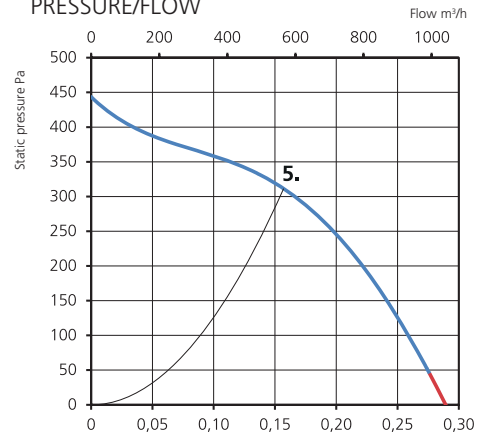
TECHNICAL DATA

| | |
|-------------------------------------|-------------|
| Voltage | 230 V |
| Frequency | 50 Hz |
| Phase | 1 ~ |
| Current | 1.13 A |
| Power | 256 W |
| Speed | 2120 r.p.m. |
| Capacitor | 5 µF |
| Max. temp of transported air | 50 °C |
| Sound pressure level, 3 m | 42 dB(A) |
| Weight | 14.0 kg |
| Wiring diagram | 4040001 |

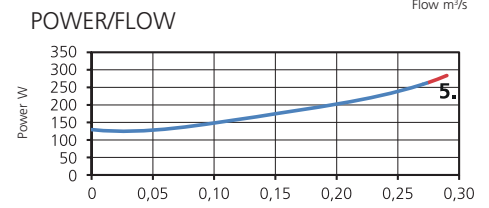
SOUND DATA

| | L _{wa} tot dB (A) | 63 | 125 | 250 | 500 | 1K | 2K | 4K | 8K |
|----------------------------|----------------------------|----|-----|-----|-----|----|----|----|----|
| 5.Surrounding 230 V | 49 | 40 | 38 | 45 | 39 | 34 | 36 | 35 | 37 |
| 5.Outlet 230 V | 70 | 58 | 61 | 60 | 63 | 62 | 63 | 61 | 59 |
| 5.Inlet 230 V | 63 | 53 | 59 | 58 | 55 | 50 | 47 | 46 | 44 |

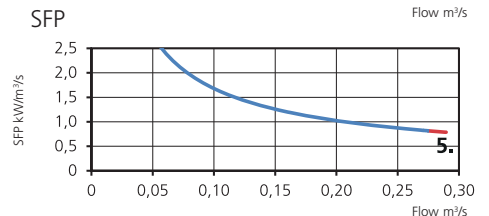
PRESSURE/FLOW



POWER/FLOW



SFP



MORE INFORMATION

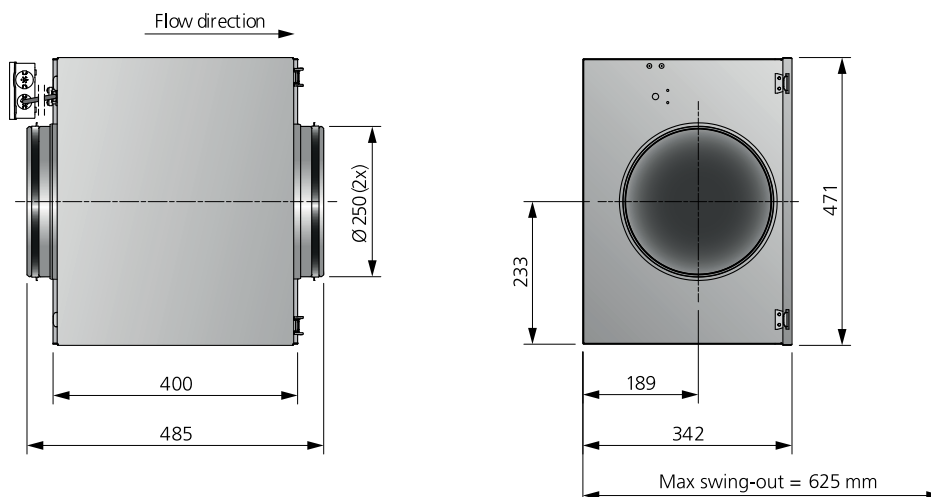


Find out the latest updated information about this product by visiting www.ostberg.com or by scanning QR code.

TRANSFORMER STEPS

5. 230 V

DIMENSIONS (mm)



INSULATED DUCT FAN WITH CIRCULAR CONNECTIONS

IRE 250 D1

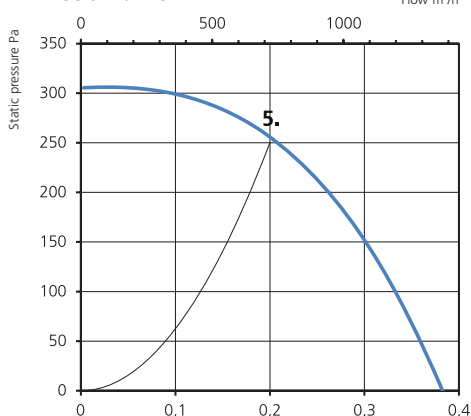
7900097

- Insulated duct fan with circular connections.
- Equipped with 50 mm of thermal and acoustic insulation makes it ideal for handling cold air.
- Designed for high pressure and long duct runs.
- The design prioritise functionality, durability and longevity.
- Impeller with forward curved blades.
- The external rotor motor has maintenance-free sealed ball-bearings.
- Integrated motor protection.
- Junction box has enclosure class IP 54.
- For speed control a transformer or electronic speed controller can be connected.
- The housing is manufactured from galvanized sheet steel.
- Duct connections are equipped with rubber seals.
- The fan is intended to be installed in a duct system.
- A duct connected fan can be installed outside or in damp environments.

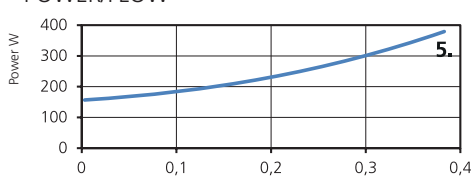


This product is not sold within the EU.

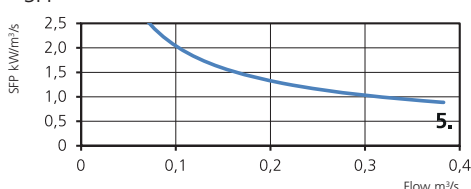
PRESSURE/FLOW



POWER/FLOW



SFP



TECHNICAL DATA

| | |
|-------------------------------------|-------------|
| Voltage | 230 V |
| Frequency | 50 Hz |
| Phase | 1 ~ |
| Current | 1 A |
| Power | 379 W |
| Speed | 2840 r.p.m. |
| Capacitor | 8 µF |
| Max. temp of transported air | 70 °C |
| Sound pressure level, 3 m | 46 dB(A) |
| Weight | 23.6 kg |
| Wiring diagram | 4040005 |

ACCESSORIES

- Mounting bracket Kit Universal
- Mounting clamp MK 250
- Safety grille BSV 250
- Back draught shutter RSK 250
- Louvre YG 250
- Louvre shutter VK 250
- Filterbox FLF 250
- Filterbox FLK 250
- Silencer LDC 250
- Transformer controller VRTE C
- Transformer controller VRDE 1.5
- Speed controller VRS 1.0

SOUND DATA

| | L_{wa} tot dB (A) | 63 | 125 | 250 | 500 | 1K | 2K | 4K | 8K |
|----------------------------|---------------------|----|-----|-----|-----|----|----|----|----|
| 5.Surrounding 230 V | 53 | 42 | 48 | 48 | 42 | 38 | 36 | 37 | 40 |
| 5.Outlet 230 V | 73 | 58 | 61 | 64 | 68 | 68 | 64 | 62 | 53 |
| 5.Inlet 230 V | 64 | 55 | 60 | 59 | 52 | 48 | 47 | 42 | 34 |

TRANSFORMER STEPS

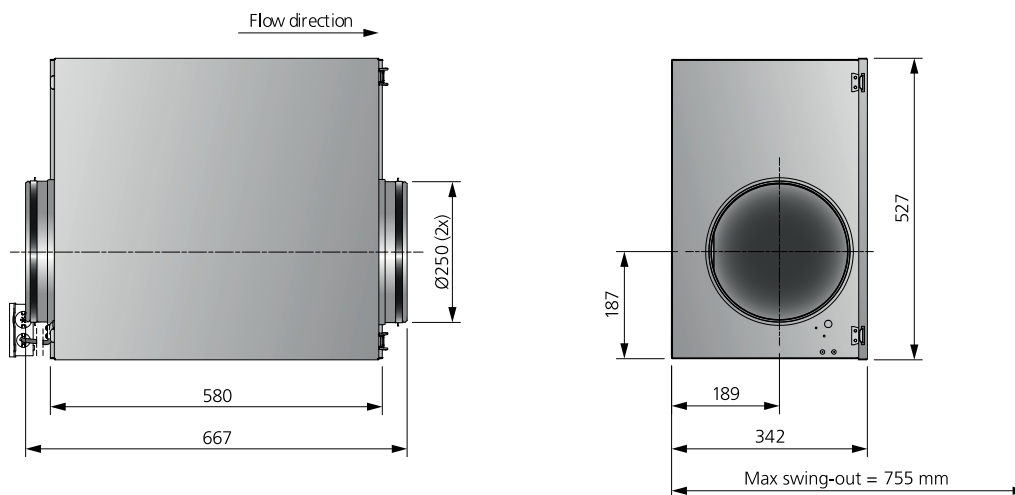
- 5. 230 V

MORE INFORMATION



Find out the latest updated information about this product by visiting www.ostberg.com or by scanning QR code.

DIMENSIONS (mm)





- Insulated duct fan with circular connections.
- Equipped with 50 mm of thermal and acoustic insulation makes it ideal for handling cold air.
- Designed for high pressure and long duct runs.
- The design prioritise functionality, durability and longevity.
- Impeller with forward curved blades.
- The external rotor motor has maintenance-free sealed ball-bearings.
- Integrated motor protection.

- Junction box has enclosure class IP 54.
- For speed control a transformer or electronic speed controller can be connected.
- The housing is manufactured from galvanized sheet steel.
- Duct connections are equipped with rubber seals.
- The fan is intended to be installed in a duct system.
- A duct connected fan can be installed outside or in damp environments.

This product is not sold within the EU.

ACCESSORIES

- Mounting bracket Kit Universal
- Mounting clamp MK 315
- Safety grille BSV 315
- Back draught shutter RSK 315
- Louvre YG 315
- Louvre shutter VK 315
- Filterbox FLK 315
- Filterbox FLF 315
- Silencer LDC 315
- Transformer controller VRTE 5

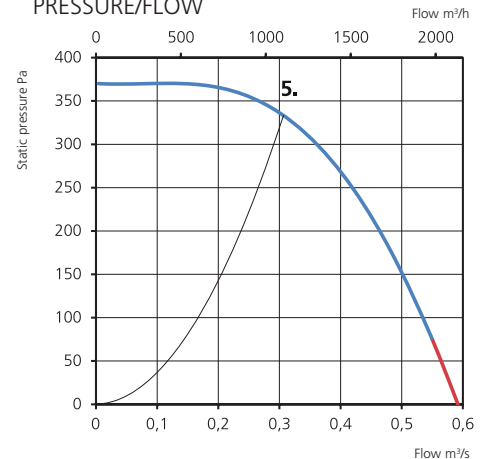
TECHNICAL DATA

| | |
|-------------------------------------|-------------|
| Voltage | 230 V |
| Frequency | 50 Hz |
| Phase | 1 ~ |
| Current | 3 A |
| Power | 645 W |
| Speed | 1330 r.p.m. |
| Capacitor | 12 µF |
| Max. temp of transported air | 45 °C |
| Sound pressure level, 3 m | 46 dB(A) |
| Weight | 30.8 kg |
| Wiring diagram | 4040005 |

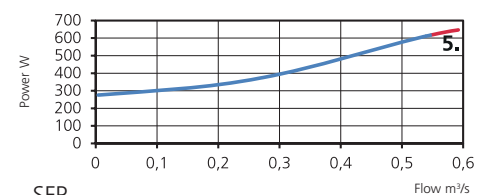
SOUND DATA

| | L _{wa} tot dB (A) | 63 | 125 | 250 | 500 | 1K | 2K | 4K | 8K |
|----------------------------|----------------------------|----|-----|-----|-----|----|----|----|----|
| 5.Surrounding 230 V | 53 | 41 | 47 | 48 | 47 | 40 | 38 | 37 | 37 |
| 5.Outlet 230 V | 79 | 65 | 68 | 70 | 72 | 72 | 71 | 73 | 66 |
| 5.Inlet 230 V | 71 | 59 | 68 | 66 | 58 | 55 | 58 | 59 | 54 |

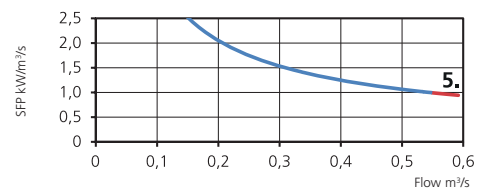
PRESSURE/FLOW



POWER/FLOW



SFP



MORE INFORMATION

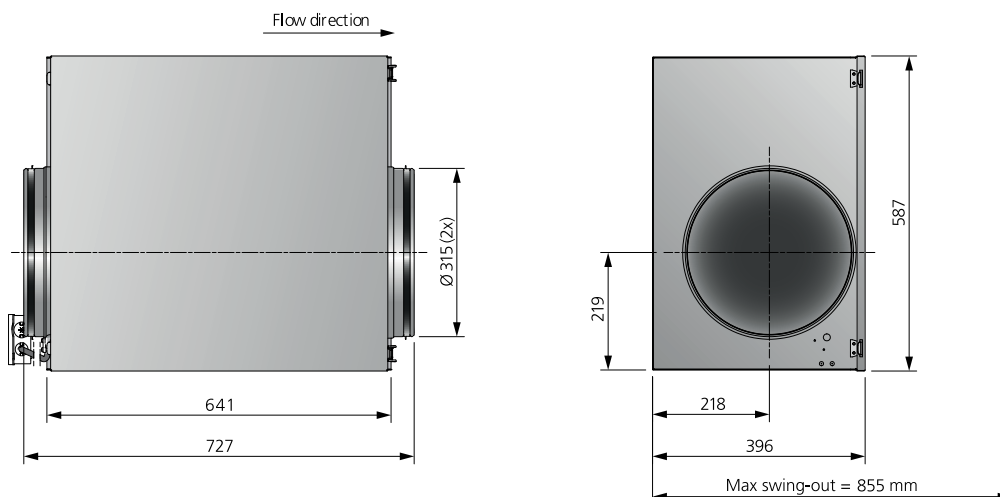


Find out the latest updated information about this product by visiting www.ostberg.com or by scanning QR code.

TRANSFORMER STEPS

5. 230 V

DIMENSIONS (mm)



INSULATED DUCT FAN WITH CIRCULAR CONNECTIONS

IRE 315 B3

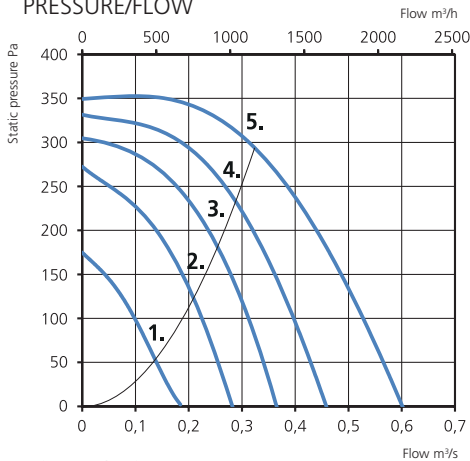
7900240

- Insulated duct fan with circular connections.
- Equipped with 50 mm of thermal and acoustic insulation makes it ideal for handling cold air.
- Designed for high pressure and long duct runs.
- The design prioritise functionality, durability and longevity.
- Impeller with forward curved blades.
- The external rotor motor has maintenance-free sealed ball-bearings.
- Integrated motor protection.
- Junction box has enclosure class IP 54.
- For speed control a transformer or electronic speed controller can be connected.
- The housing is manufactured from galvanized sheet steel.
- Duct connections are equipped with rubber seals.
- The fan is intended to be installed in a duct system.
- A duct connected fan can be installed outside or in damp environments.

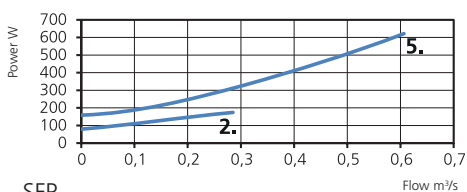


This product is not sold within the EU.

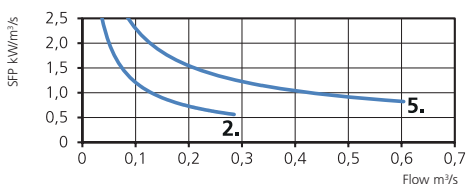
PRESSURE/FLOW



POWER/FLOW



SFP



TECHNICAL DATA

| | |
|-------------------------------------|-------------|
| Voltage | 400 V |
| Frequency | 50 Hz |
| Phase | 3 ~ |
| Current | 1.38 A |
| Power | 638 W |
| Speed | 1290 r.p.m. |
| Capacitor | |
| Max. temp of transported air | 60 °C |
| Sound pressure level, 3 m | 49 dB(A) |
| Weight | 30.7 kg |
| Wiring diagram | 4040004 |

ACCESSORIES

- Mounting bracket Kit Universal
- Mounting clamp MK 315
- Safety grille BSV 315
- Back draught shutter RSK 315
- Louvre YG 315
- Louvre shutter VK 315
- Filterbox FLK 315
- Filterbox FLF 315
- Silencer LDC 315
- Transformer controller VRDT 2
- Transformer controller VRTT 2

SOUND DATA

| | L_{wa} tot dB (A) | 63 | 125 | 250 | 500 | 1K | 2K | 4K | 8K |
|----------------------------|---------------------|----|-----|-----|-----|----|----|----|----|
| 5.Surrounding 400 V | 56 | 48 | 53 | 48 | 43 | 43 | 40 | 39 | 33 |
| 5.Outlet 400 V | 82 | 65 | 67 | 70 | 74 | 76 | 75 | 74 | 67 |
| 5.Inlet 400 V | 66 | 60 | 63 | 59 | 46 | 50 | 50 | 47 | 42 |
| 4.Inlet 240 V | 66 | 59 | 62 | 59 | 46 | 48 | 49 | 46 | 40 |
| 3.Inlet 185 V | 61 | 56 | 58 | 55 | 42 | 43 | 45 | 42 | 34 |
| 2.Inlet 145 V | 57 | 51 | 53 | 51 | 38 | 37 | 39 | 36 | 26 |
| 1.Inlet 95 V | 47 | 41 | 43 | 41 | 28 | 27 | 29 | 22 | 12 |

TRANSFORMER STEPS

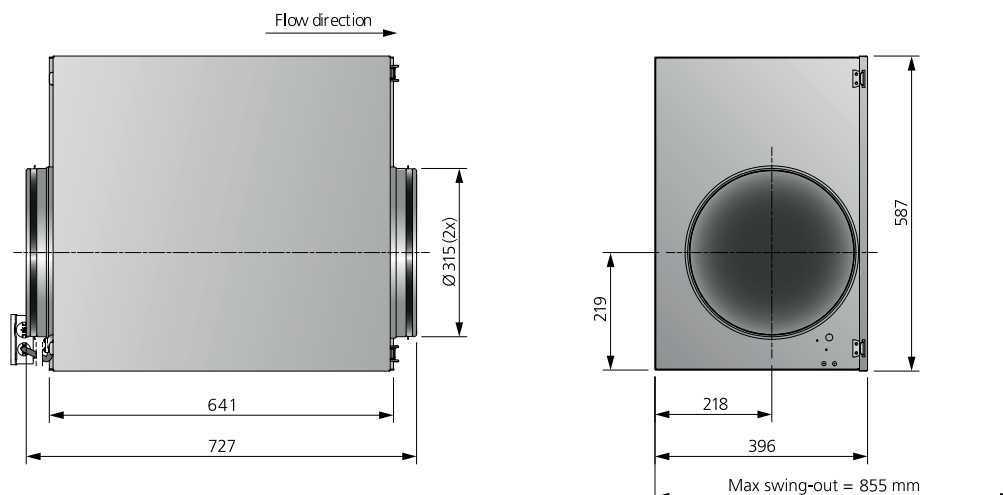
1. 95 V 2. 145 V 3. 185 V 4. 240 V 5. 400 V

MORE INFORMATION



Find out the latest updated information about this product by visiting www.ostberg.com or by scanning QR code.

DIMENSIONS (mm)





- Insulated duct fan with circular connections.
- Equipped with 50 mm of thermal and acoustic insulation makes it ideal for handling cold air.
- Designed for high pressure and long duct runs.
- The design prioritise functionality, durability and longevity.
- Impeller with forward curved blades.
- The external rotor motor has maintenance-free sealed ball-bearings.
- Integrated motor protection.

- Junction box has enclosure class IP 54.
- For speed control a transformer or electronic speed controller can be connected.
- The housing is manufactured from galvanized sheet steel.
- Duct connections are equipped with rubber seals.
- The fan is intended to be installed in a duct system.
- A duct connected fan can be installed outside or in damp environments.

This product is not sold within the EU.

ACCESSORIES

- Mounting bracket Kit Universal
- Mounting clamp MK 315
- Safety grille BSV 315
- Back draught shutter RSK 315
- Louvre YG 315
- Louvre shutter VK 315
- Filterbox FLF 315
- Filterbox FLK 315
- Silencer LDC 315
- Transformer controller VRTE 3
- Transformer controller VRDE 3
- Speed controller VRS 2.0

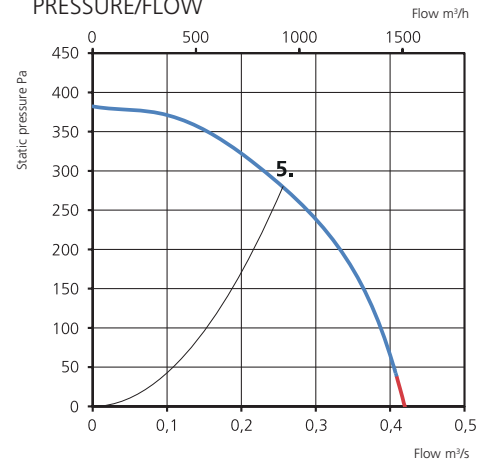
TECHNICAL DATA

| | |
|-------------------------------------|-------------|
| Voltage | 230 V |
| Frequency | 50 Hz |
| Phase | 1 ~ |
| Current | 1.75 A |
| Power | 401 W |
| Speed | 1430 r.p.m. |
| Capacitor | 5 µF |
| Max. temp of transported air | 70 °C |
| Sound pressure level, 3 m | 42 dB(A) |
| Weight | 25.6 kg |
| Wiring diagram | 4040021 |

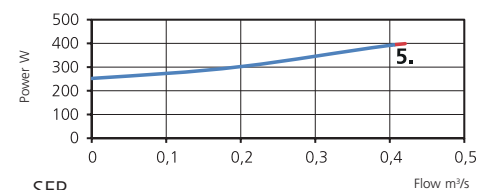
SOUND DATA

| | L _{WA} tot dB (A) | 63 | 125 | 250 | 500 | 1K | 2K | 4K | 8K |
|----------------------------|----------------------------|----|-----|-----|-----|----|----|----|----|
| 5.Surrounding 230 V | 49 | 35 | 37 | 45 | 43 | 36 | 36 | 36 | 37 |
| 5.Outlet 230 V | 75 | 59 | 61 | 63 | 66 | 67 | 71 | 68 | 65 |
| 5.Inlet 230 V | 66 | 52 | 60 | 58 | 57 | 56 | 57 | 56 | 51 |

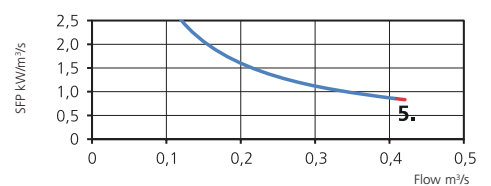
PRESSURE/FLOW



POWER/FLOW



SFP



MORE INFORMATION

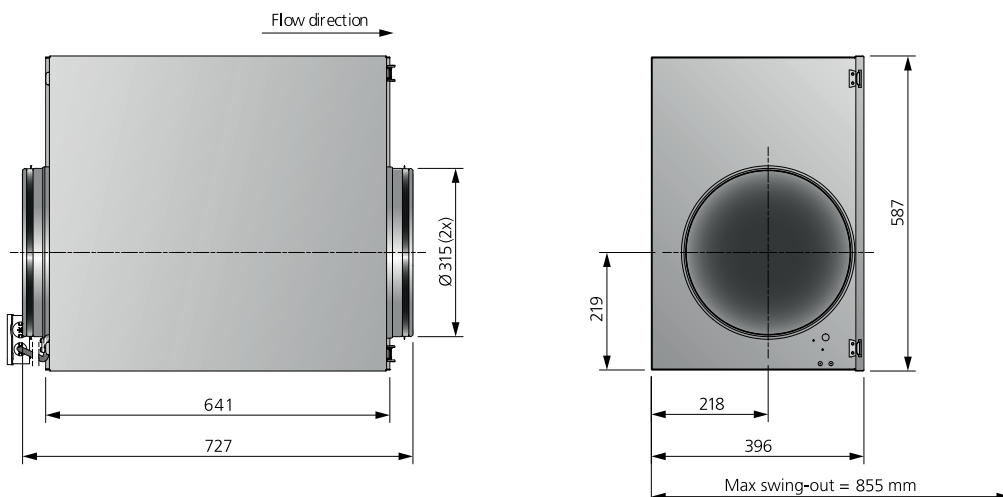


Find out the latest updated information about this product by visiting www.ostberg.com or by scanning QR code.

TRANSFORMER STEPS

5. 230 V

DIMENSIONS (mm)



NON INSULATED DUCT FAN WITH CONNECTIONS

IRE 355 C1

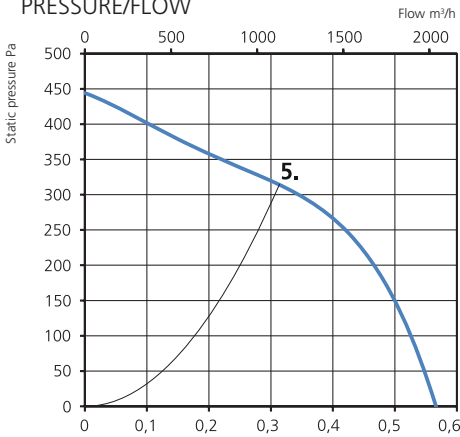
7900139

- Insulated duct fan with circular connections.
- Equipped with 50 mm of thermal and acoustic insulation makes it ideal for handling cold air.
- Designed for high pressure and long duct runs.
- The design prioritise functionality, durability and longevity.
- Impeller with forward curved blades.
- The external rotor motor has maintenance-free sealed ball-bearings.
- Integrated motor protection.
- Junction box has enclosure class IP 54.
- For speed control a transformer or electronic speed controller can be connected.
- The housing is manufactured from galvanized sheet steel.
- Duct connections are equipped with rubber seals.
- The fan is intended to be installed in a duct system.
- A duct connected fan can be installed outside or in damp environments.

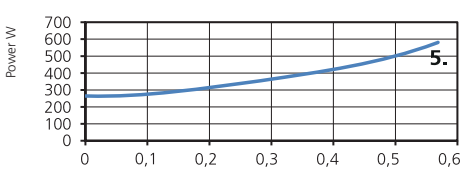


This product is not sold within the EU.

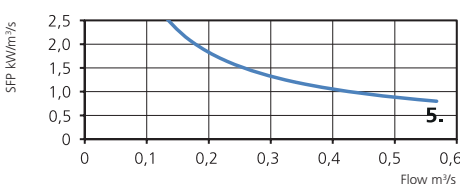
PRESSURE/FLOW



POWER/FLOW



SFP



TECHNICAL DATA

| | |
|-------------------------------------|-------------|
| Voltage | 230 V |
| Frequency | 50 Hz |
| Phase | 1 ~ |
| Current | 2.66 A |
| Power | 600 W |
| Speed | 1850 r.p.m. |
| Capacitor | 5 µF |
| Max. temp of transported air | 50 °C |
| Sound pressure level, 3 m | 41 dB(A) |
| Weight | 33.6 kg |
| Wiring diagram | 4040021 |

ACCESSORIES

- Mounting bracket Kit Universal
- Safety grille BSV 355
- Back draught shutter RSK 355
- Louvre shutter VK 355
- Transformer controller VRTE 3
- Transformer controller VRDE 3
- Speed controller VRS 4.0
- ETFV-94A

SOUND DATA

| | L_{WA} tot dB (A) | 63 | 125 | 250 | 500 | 1K | 2K | 4K | 8K |
|----------------------------|---------------------|----|-----|-----|-----|----|----|----|----|
| 5.Surrounding 230 V | 48 | 39 | 37 | 42 | 42 | 38 | 38 | 38 | 38 |
| 5.Outlet 230 V | 75 | 62 | 65 | 65 | 66 | 69 | 67 | 64 | 57 |
| 5.Inlet 230 V | 67 | 58 | 63 | 62 | 57 | 54 | 54 | 52 | 45 |

TRANSFORMER STEPS

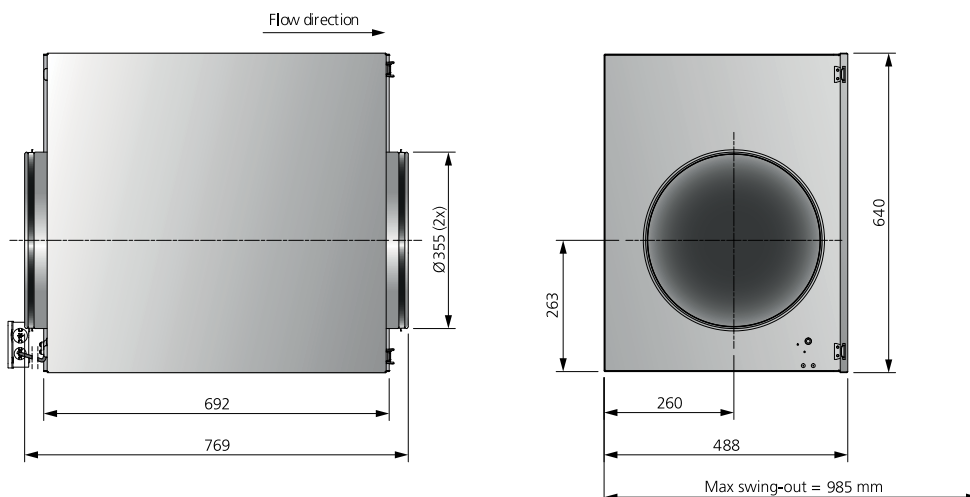
- 5. 230 V

MORE INFORMATION



Find out the latest updated information about this product by visiting www.ostberg.com or by scanning QR code.

DIMENSIONS (mm)



IRE 400 F1

7900109



- Insulated duct fan with circular connections.
- Equipped with 50 mm of thermal and acoustic insulation makes it ideal for handling cold air.
- Designed for high pressure and long duct runs.
- The design prioritise functionality, durability and longevity.
- Impeller with forward curved blades.
- The external rotor motor has maintenance-free sealed ball-bearings.
- Integrated motor protection.

- Junction box has enclosure class IP 54.
- For speed control a transformer or electronic speed controller can be connected.
- The housing is manufactured from galvanized sheet steel.
- Duct connections are equipped with rubber seals.
- The fan is intended to be installed in a duct system.
- A duct connected fan can be installed outside or in damp environments.

This product is not sold within the EU.

ACCESSORIES

- Mounting bracket Kit Universal
- Mounting clamp MK 400
- Safety grille BSV 400
- Back draught shutter RSK 400
- Louvre shutter VK 400
- Filterbox FLK 400
- Filterbox FLF 400
- Transformer controller VRTE 5
- Transformer controller VRDE 7

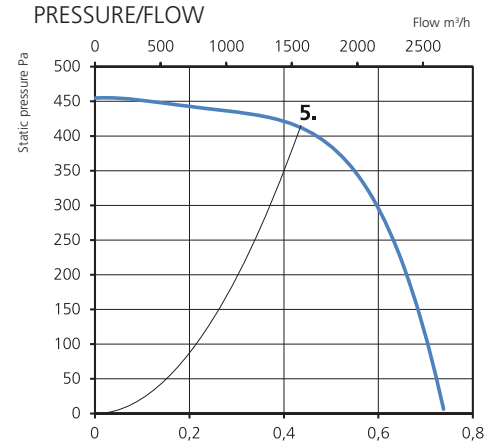
TECHNICAL DATA

| | |
|-------------------------------------|-------------|
| Voltage | 230 V |
| Frequency | 50 Hz |
| Phase | 1 ~ |
| Current | 4.7 A |
| Power | 1010 W |
| Speed | 1200 r.p.m. |
| Capacitor | 20 µF |
| Max. temp of transported air | 70 °C |
| Sound pressure level, 3 m | 47 dB(A) |
| Weight | 46.0 kg |
| Wiring diagram | 4040005 |

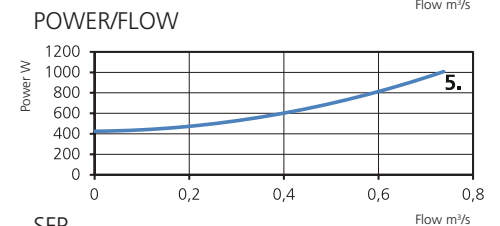
SOUND DATA

| | L_{wa} tot dB (A) | 63 | 125 | 250 | 500 | 1K | 2K | 4K | 8K |
|----------------------------|---------------------|----|-----|-----|-----|----|----|----|----|
| 5.Surrounding 230 V | 54 | 46 | 46 | 49 | 45 | 45 | 42 | 43 | 41 |
| 5.Outlet 230 V | 79 | 66 | 67 | 70 | 71 | 74 | 69 | 68 | 60 |
| 5.Inlet 230 V | 69 | 58 | 64 | 65 | 58 | 57 | 56 | 53 | 45 |

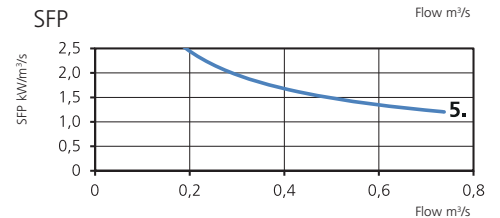
PRESSURE/FLOW



POWER/FLOW



SFP



MORE INFORMATION

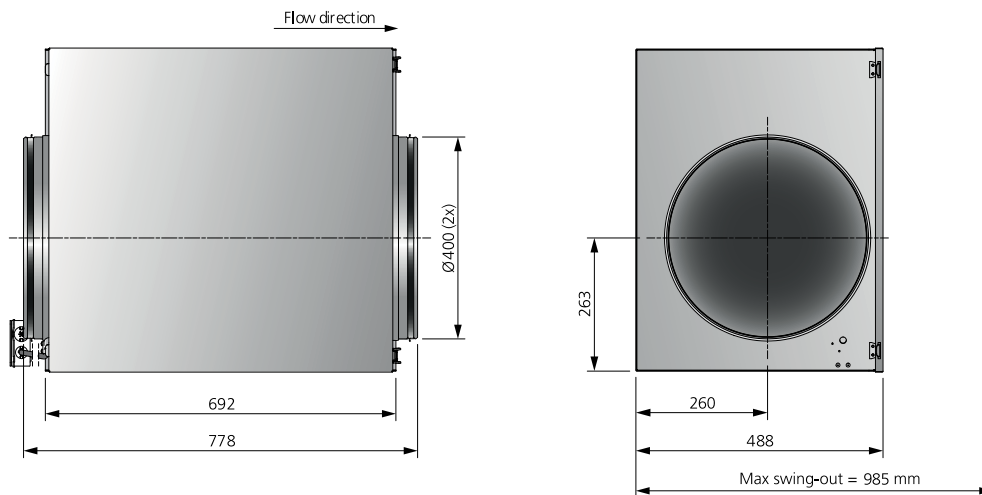


Find out the latest updated information about this product by visiting www.ostberg.com or by scanning QR code.

TRANSFORMER STEPS

5. 230 V

DIMENSIONS (mm)



INSULATED DUCT FAN WITH CIRCULAR CONNECTIONS

IRE 400 F3

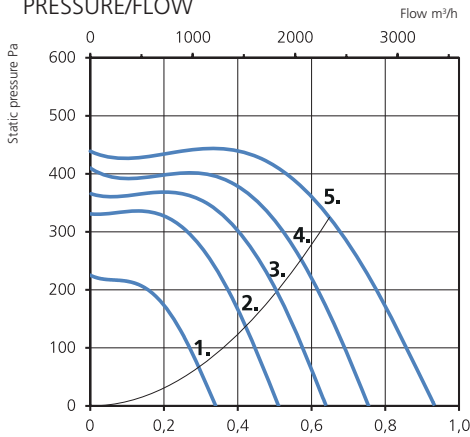
7900209

- Insulated duct fan with circular connections.
- Equipped with 50 mm of thermal and acoustic insulation makes it ideal for handling cold air.
- Designed for high pressure and long duct runs.
- The design prioritise functionality, durability and longevity.
- Impeller with forward curved blades.
- The external rotor motor has maintenance-free sealed ball-bearings.
- Integrated motor protection.
- Junction box has enclosure class IP 54.
- For speed control a transformer or electronic speed controller can be connected.
- The housing is manufactured from galvanized sheet steel.
- Duct connections are equipped with rubber seals.
- The fan is intended to be installed in a duct system.
- A duct connected fan can be installed outside or in damp environments.

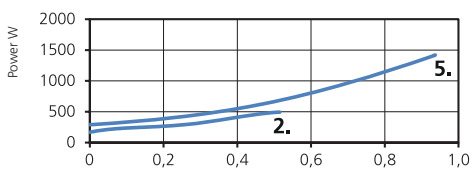


This product is not sold within the EU.

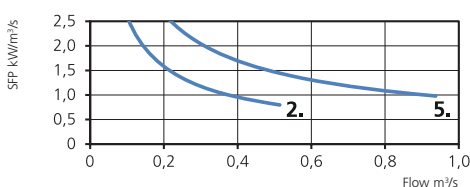
PRESSURE/FLOW



POWER/FLOW



SFP



TECHNICAL DATA

| | |
|-------------------------------------|-------------|
| Voltage | 400 V |
| Frequency | 50 Hz |
| Phase | 3 ~ |
| Current | 2.64 A |
| Power | 1470 W |
| Speed | 1310 r.p.m. |
| Capacitor | |
| Max. temp of transported air | 40 °C |
| Sound pressure level, 3 m | 51 dB(A) |
| Weight | 46.5 kg |
| Wiring diagram | 4040004 |

ACCESSORIES

- Mounting bracket Kit Universal
- Mounting clamp MK 400
- Safety grille BSV 400
- Back draught shutter RSK 400
- Louvre shutter VK 400
- Filterbox FLK 400
- Filterbox FLF 400
- Transformer controller VRTT 4
- Transformer controller VRDT 4

SOUND DATA

| | L_{wa} tot dB (A) | 63 | 125 | 250 | 500 | 1K | 2K | 4K | 8K |
|----------------------------|---------------------|----|-----|-----|-----|----|----|----|----|
| 5.Surrounding 400 V | 58 | 48 | 50 | 54 | 48 | 47 | 43 | 41 | 35 |
| 5.Outlet 400 V | 91 | 71 | 77 | 80 | 79 | 86 | 85 | 84 | 78 |
| 5.Inlet 400 V | 72 | 65 | 69 | 66 | 53 | 58 | 58 | 55 | 50 |
| 4.Inlet 240 V | 72 | 65 | 69 | 64 | 53 | 57 | 57 | 54 | 49 |
| 3.Inlet 185 V | 70 | 63 | 67 | 62 | 50 | 53 | 54 | 50 | 45 |
| 2.Inlet 145 V | 65 | 61 | 62 | 57 | 45 | 48 | 49 | 45 | 39 |
| 1.Inlet 95 V | 58 | 54 | 53 | 49 | 37 | 40 | 41 | 36 | 26 |

TRANSFORMER STEPS

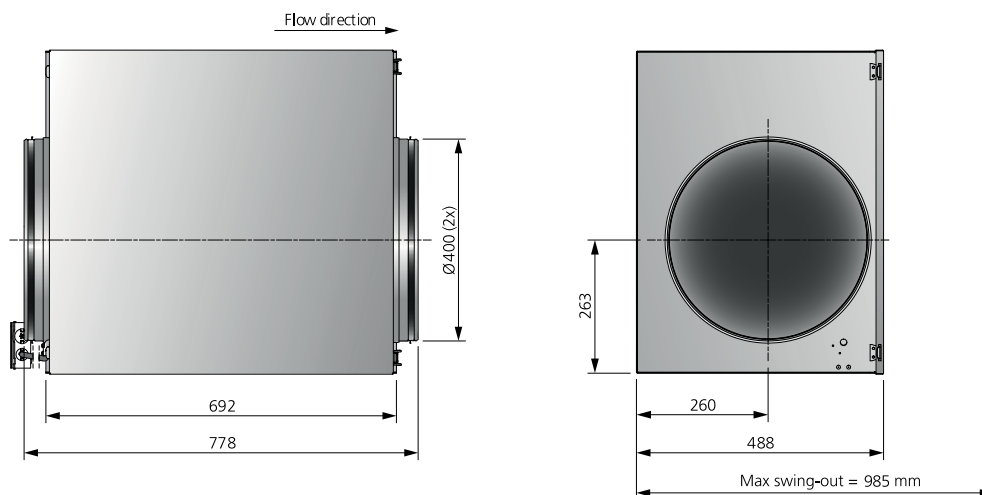
1. 95 V 2. 145 V 3. 185 V 4. 240 V 5. 400 V

MORE INFORMATION



Find out the latest updated information about this product by visiting www.ostberg.com or by scanning QR code.

DIMENSIONS (mm)





- Insulated duct fan with circular connections.
- Equipped with 50 mm of thermal and acoustic insulation makes it ideal for handling cold air.
- Designed for high pressure and long, complicated duct runs.
- The design prioritise functionality, durability and longevity.
- Impeller with forward curved blades.
- The external rotor motor has maintenance-free sealed ball-bearings and is very energy efficient.

- Speed controlling can be done with the built-in potentiometer, 0-10 V alt. external control.
- Integrated motor protection.
- Junction box has enclosure class IP 54.
- The housing is manufactured from galvanized sheet steel.
- Duct connections are equipped with rubber seals.
- The fan is intended to be installed in a duct system.
- A duct connected fan can be installed outside or in damp environments.

ACCESSORIES

- Mounting bracket Kit Universal
- Mounting clamp MK 125
- Safety grille BSV 125
- Back draught shutter RSK 125
- Louvre YG 125
- Louvre shutter VK 125
- Filterbox FLK 125
- Filterbox FLF 125
- Silencer LDC 125
- Speed controller MS EC
- Pressure regulator CALAIR-PR-230V
- Pressure regulator FKP-R

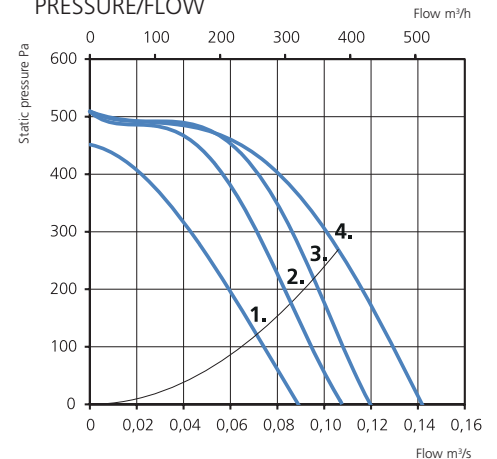
TECHNICAL DATA

| | |
|-------------------------------------|-------------|
| Voltage | 230 V |
| Frequency | 50/60 Hz |
| Phase | 1 ~ |
| Current | 1.02 A |
| Power | 123 W |
| Speed | 2790 r.p.m. |
| Capacitor | |
| Max. temp of transported air | 60 °C |
| Sound pressure level, 3 m | 44 dB(A) |
| Weight | 9.7 kg |
| Wiring diagram | 4040180 |

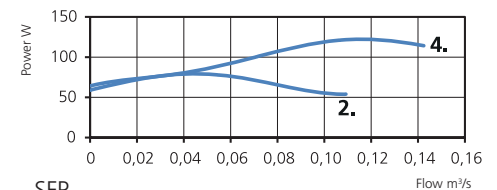
SOUND DATA

| | L_{WA} tot dB (A) | 63 | 125 | 250 | 500 | 1K | 2K | 4K | 8K |
|---------------------------|---------------------|----|-----|-----|-----|----|----|----|----|
| 4.Surrounding 10 V | 51 | 40 | 47 | 43 | 46 | 36 | 36 | 35 | 31 |
| 4.Outlet 10 V | 80 | 68 | 68 | 69 | 72 | 71 | 74 | 70 | 69 |
| 4.Inlet 10 V | 66 | 55 | 64 | 58 | 51 | 47 | 54 | 53 | 50 |
| 3.Inlet 7.5 V | 63 | 53 | 61 | 55 | 46 | 45 | 51 | 50 | 46 |
| 2.Inlet 6 V | 61 | 50 | 60 | 53 | 44 | 43 | 48 | 47 | 43 |
| 1.Inlet 4 V | 57 | 45 | 55 | 49 | 39 | 39 | 43 | 41 | 35 |

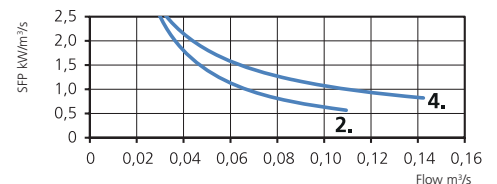
PRESSURE/FLOW



POWER/FLOW



SFP



MORE INFORMATION

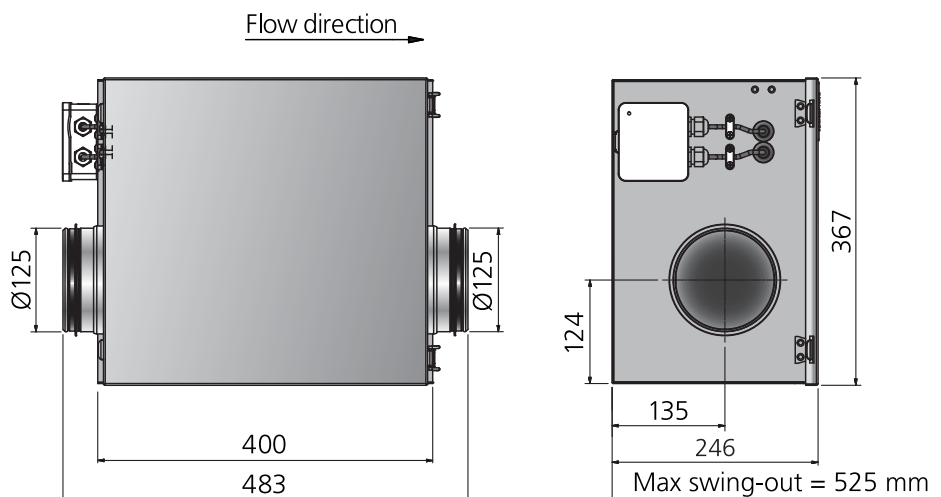


Find out the latest updated information about this product by visiting www.ostberg.com or by scanning QR code.

CONTROL VOLTAGE

1. 4 V 2. 6 V 3. 7.5 V 4. 10 V

DIMENSIONS (mm)



INSULATED DUCT FAN WITH CIRCULAR CONNECTIONS

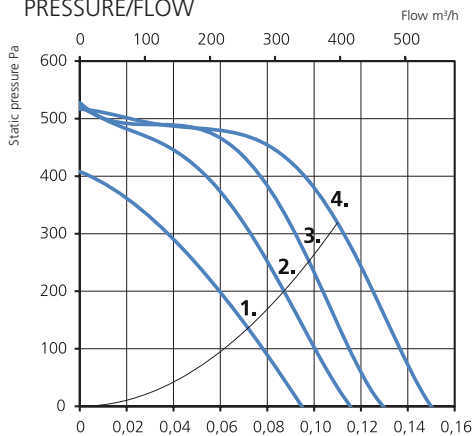
IRE 160 C1 EC

7900247

- Insulated duct fan with circular connections.
- Equipped with 50 mm of thermal and acoustic insulation makes it ideal for handling cold air.
- Designed for high pressure and long, complicated duct runs.
- The design prioritise functionality, durability and longevity.
- Impeller with forward curved blades.
- The external rotor motor has maintenance-free sealed ball-bearings and is very energy efficient.
- Speed controlling can be done with the built-in potentiometer, 0-10 V alt. external control.
- Integrated motor protection.
- Junction box has enclosure class IP 54.
- The housing is manufactured from galvanized sheet steel.
- Duct connections are equipped with rubber seals.
- The fan is intended to be installed in a duct system.
- A duct connected fan can be installed outside or in damp environments.



PRESSURE/FLOW



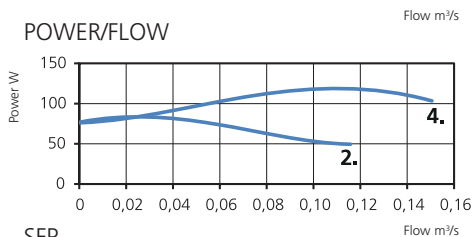
TECHNICAL DATA

| | |
|-------------------------------------|-------------|
| Voltage | 230 V |
| Frequency | 50/60 Hz |
| Phase | 1 ~ |
| Current | 0.98 A |
| Power | 121 W |
| Speed | 2640 r.p.m. |
| Capacitor | |
| Max. temp of transported air | 60 °C |
| Sound pressure level, 3 m | 43 dB(A) |
| Weight | 10.1 kg |
| Wiring diagram | 4040180 |

ACCESSORIES

- Mounting bracket Kit Universal
- Mounting clamp MK 160
- Safety grille BSV 160
- Back draught shutter RSK 160
- Louvre YG 160
- Louvre shutter VK 160
- Filterbox FLK 160
- Filterbox FLF 160
- Silencer LDC 160
- Speed controller MS EC
- Pressure regulator CALAIR-PR-230V
- Pressure regulator FKP-R

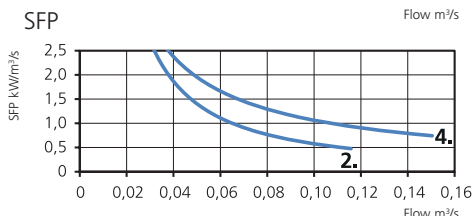
POWER/FLOW



SOUND DATA

| | L_{wa} tot dB (A) | 63 | 125 | 250 | 500 | 1K | 2K | 4K | 8K |
|---------------------------|---------------------|----|-----|-----|-----|----|----|----|----|
| 5.Surrounding 10 V | 50 | 40 | 46 | 42 | 40 | 35 | 36 | 35 | 31 |
| 5.Outlet 10 V | 77 | 64 | 67 | 68 | 70 | 68 | 69 | 68 | 67 |
| 5.Inlet 10 V | 65 | 57 | 63 | 59 | 52 | 46 | 49 | 46 | 45 |
| 4.Inlet 7.5 V | 63 | 54 | 60 | 56 | 49 | 44 | 46 | 43 | 41 |
| 3.Inlet 6 V | 61 | 52 | 59 | 54 | 47 | 42 | 43 | 40 | 37 |
| 2.Inlet 4 V | 57 | 50 | 54 | 49 | 42 | 39 | 38 | 34 | 30 |

SFP



CONTROL VOLTAGE

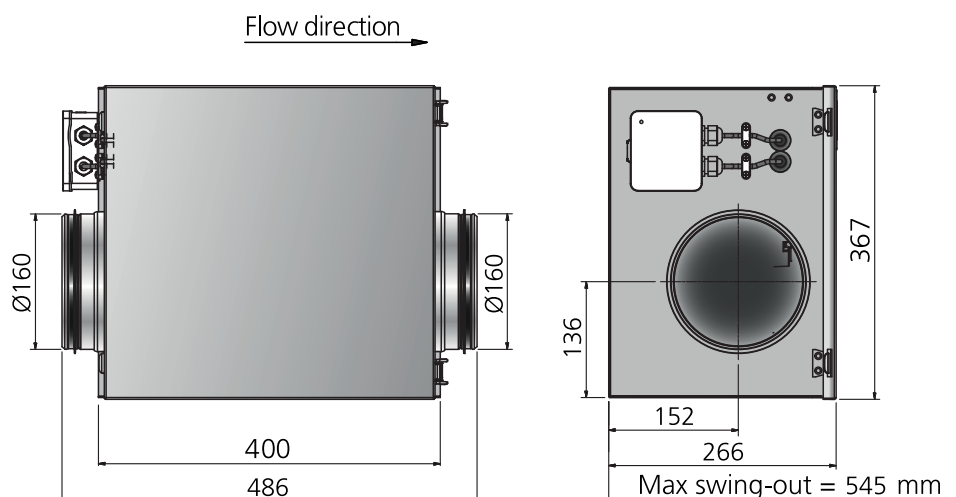
2. 4 V 3. 6 V 4. 7.5 V 5. 10 V

MORE INFORMATION



Find out the latest updated information about this product by visiting www.ostberg.com or by scanning QR code.

DIMENSIONS (mm)



INSULATED DUCT FAN WITH CIRCULAR CONNECTIONS

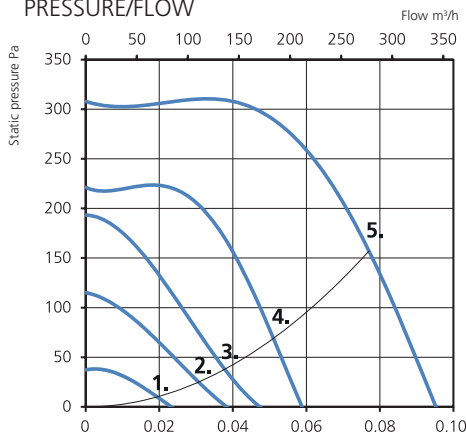
IFK 140 B

7800004 LEFT

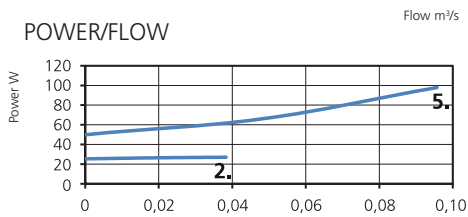
- Insulated duct fan with circular connections.
- Designed as a cooker exhaust fan and can be connected to a cooker hood.
- Equipped with 30 mm fire retardant insulation.
- Handles high pressures yet offer low sound levels.
- It features 2 inlets and 1 outlet.
- Impeller with forward curved blades.
- The external rotor motor has maintenance-free sealed ball-bearings.
- Integrated motor protection.
- Junction box has enclosure class IP 54.
- For speed control a transformer or electronic speed controller can be connected.
- The housing is manufactured from galvanized sheet steel.
- Duct connections are equipped with rubber seals.
- Swing-out design to simplify maintenance and cleaning.
- The fan is intended to be installed in a duct system.



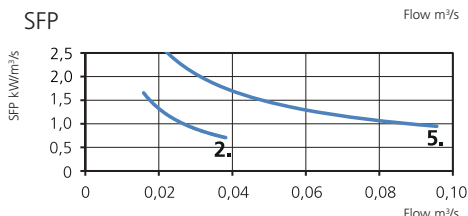
PRESSURE/FLOW



POWER/FLOW



SFP



TECHNICAL DATA

| | |
|-------------------------------------|-------------|
| Voltage | 230 V |
| Frequency | 50 Hz |
| Phase | 1 ~ |
| Current | 0.44 A |
| Power | 100 W |
| Speed | 1820 r.p.m. |
| Capacitor | 2 µF |
| Max. temp of transported air | 50 °C |
| Sound pressure level, 3 m | 41 dB(A) |
| Weight | 8.9 kg |
| Wiring diagram | 4040015 |

ACCESSORIES

- Cooker Hood F251-16
- Silencer LDC 125
- Local Demand Controller Kit

SOUND DATA

| | L_{WA} tot dB (A) | 63 | 125 | 250 | 500 | 1K | 2K | 4K | 8K |
|----------------------------|---------------------|----|-----|-----|-----|----|----|----|----|
| 5.Surrounding 230 V | 48 | 35 | 45 | 41 | 37 | 34 | 28 | 29 | 29 |
| 5.Outlet 230 V | 73 | 61 | 63 | 65 | 66 | 66 | 66 | 64 | 62 |
| 5.Inlet 230 V | 60 | 48 | 57 | 54 | 48 | 43 | 38 | 38 | 37 |
| 4.Inlet 165 V | 50 | 40 | 48 | 44 | 38 | 35 | 26 | 25 | 21 |
| 3.Inlet 135 V | 44 | 35 | 41 | 38 | 36 | 28 | 16 | 16 | 11 |
| 2.Inlet 110 V | 42 | 30 | 35 | 40 | 29 | 21 | 11 | 11 | 9 |
| 1.Inlet 80 V | 34 | 23 | 29 | 31 | 19 | 9 | 7 | 8 | 6 |

TRANSFORMER STEPS

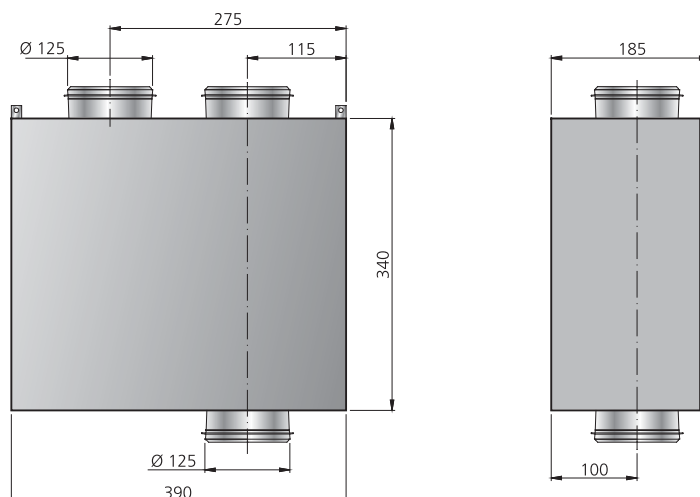
1. 80 V 2. 110 V 3. 135 V 4. 165 V 5. 230 V

MORE INFORMATION



Find out the latest updated information about this product by visiting www.ostberg.com or by scanning QR code.

DIMENSIONS (mm)





- Insulated duct fan with circular connections.
- Designed as a cooker exhaust fan and can be connected to a cooker hood.
- Equipped with 30 mm fire retardant insulation.
- Handles high pressures yet offer low sound levels.
- It features 2 inlets and 1 outlet.
- Impeller with forward curved blades.
- The external rotor motor has maintenance-free sealed ball-bearings.
- Integrated motor protection.

- Junction box has enclosure class IP 54.
- For speed control a transformer or electronic speed controller can be connected.
- The housing is manufactured from galvanized sheet steel.
- Duct connections are equipped with rubber seals.
- Swing-out design to simplify maintenance and cleaning.
- The fan is intended to be installed in a duct system.

ACCESSORIES

- Cooker Hood F251-16
- Silencer LDC 125
- Local Demand Controller Kit

TECHNICAL DATA

| | |
|-------------------------------------|-------------|
| Voltage | 230 V |
| Frequency | 50 Hz |
| Phase | 1 ~ |
| Current | 0.44 A |
| Power | 100 W |
| Speed | 1820 r.p.m. |
| Capacitor | 2 µF |
| Max. temp of transported air | 50 °C |
| Sound pressure level, 3 m | 41 dB(A) |
| Weight | 8.9 kg |
| Wiring diagram | 4040015 |

SOUND DATA

| | L_{wa} tot dB (A) | 63 | 125 | 250 | 500 | 1K | 2K | 4K | 8K |
|----------------------------|---------------------|----|-----|-----|-----|----|----|----|----|
| 5.Surrounding 230 V | 48 | 35 | 45 | 41 | 37 | 34 | 28 | 29 | 29 |
| 5.Outlet 230 V | 73 | 61 | 63 | 65 | 66 | 66 | 66 | 64 | 62 |
| 5.Inlet 230 V | 60 | 48 | 57 | 54 | 48 | 43 | 38 | 38 | 37 |
| 4.Inlet 165 V | 50 | 40 | 48 | 44 | 38 | 35 | 26 | 25 | 21 |
| 3.Inlet 135 V | 44 | 35 | 41 | 38 | 36 | 28 | 16 | 16 | 11 |
| 2.Inlet 110 V | 42 | 30 | 35 | 40 | 29 | 21 | 11 | 11 | 9 |
| 1.Inlet 80 V | 34 | 23 | 29 | 31 | 19 | 9 | 7 | 8 | 6 |

MORE INFORMATION

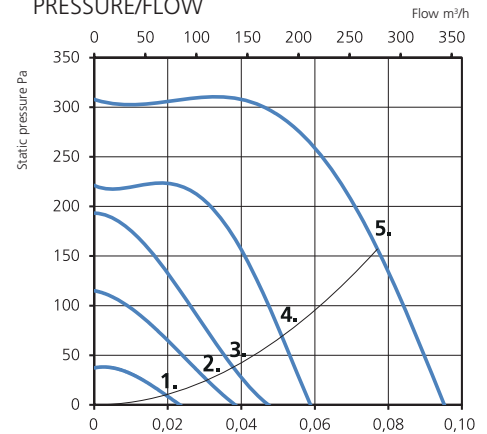


Find out the latest updated information about this product by visiting www.ostberg.com or by scanning QR code.

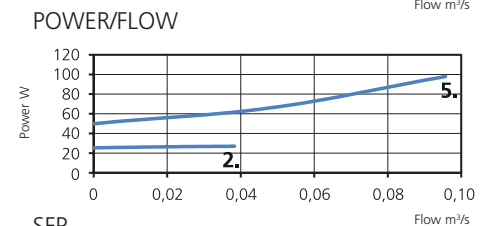
TRANSFORMER STEPS

1. 80 V 2. 110 V 3. 135 V 4. 165 V 5. 230 V

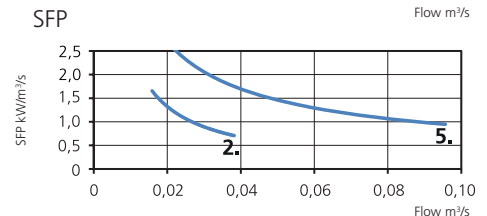
PRESSURE/FLOW



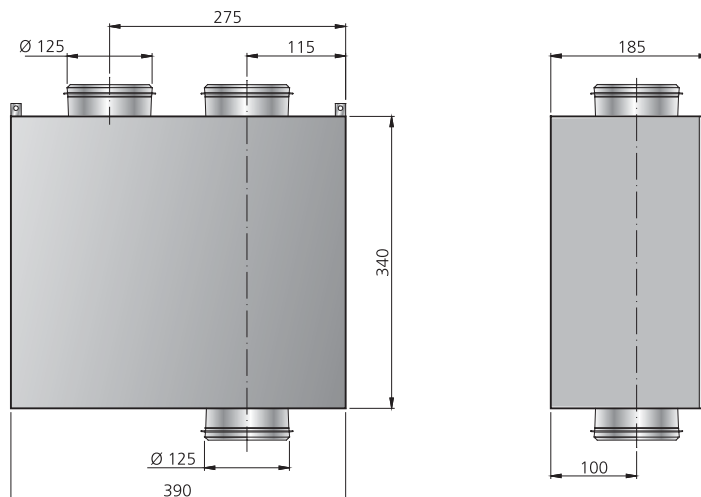
POWER/FLOW



SFP



DIMENSIONS (mm)



INSULATED DUCT FAN WITH CIRCULAR CONNECTIONS

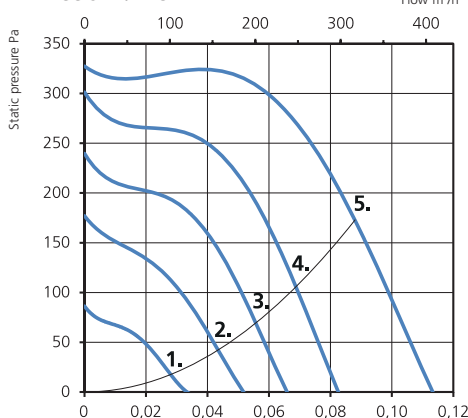
IFK 140 C

7800008 LEFT

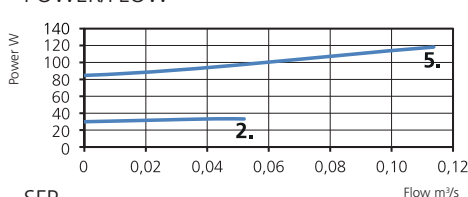
- Insulated duct fan with circular connections.
- Designed as a cooker exhaust fan and can be connected to a cooker hood.
- Equipped with 30 mm fire retardant insulation.
- Handles high pressures yet offer low sound levels.
- It features 2 inlets and 1 outlet.
- Impeller with forward curved blades.
- The external rotor motor has maintenance-free sealed ball-bearings.
- Integrated motor protection.
- Junction box has enclosure class IP 54.
- For speed control a transformer or electronic speed controller can be connected.
- The housing is manufactured from galvanized sheet steel.
- Duct connections are equipped with rubber seals.
- Swing-out design to simplify maintenance and cleaning.
- The fan is intended to be installed in a duct system.



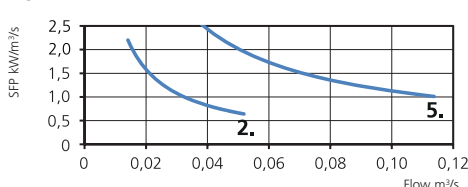
PRESSURE/FLOW



POWER/FLOW



SFP



TECHNICAL DATA

| | |
|-------------------------------------|-------------|
| Voltage | 230 V |
| Frequency | 50 Hz |
| Phase | 1 ~ |
| Current | 0.54 A |
| Power | 121 W |
| Speed | 2220 r.p.m. |
| Capacitor | 4 µF |
| Max. temp of transported air | 50 °C |
| Sound pressure level, 3 m | 44 dB(A) |
| Weight | 8.9 kg |
| Wiring diagram | 4040015 |

ACCESSORIES

- Cooker Hood F251-16
- Silencer LDC 125
- Local Demand Controller Kit

SOUND DATA

| | L_{WA} tot dB (A) | 63 | 125 | 250 | 500 | 1K | 2K | 4K | 8K |
|----------------------------|---------------------|----|-----|-----|-----|----|----|----|----|
| 5.Surrounding 230 V | 51 | 37 | 49 | 44 | 40 | 36 | 30 | 30 | 29 |
| 5.Outlet 230 V | 76 | 63 | 65 | 68 | 68 | 68 | 69 | 67 | 65 |
| 5.Inlet 230 V | 62 | 50 | 60 | 56 | 49 | 44 | 40 | 40 | 40 |
| 4.Inlet 165 V | 57 | 46 | 54 | 50 | 44 | 40 | 34 | 34 | 32 |
| 3.Inlet 135 V | 51 | 41 | 49 | 45 | 39 | 36 | 27 | 27 | 23 |
| 2.Inlet 110 V | 45 | 37 | 42 | 39 | 34 | 31 | 20 | 19 | 14 |
| 1.Inlet 80 V | 37 | 29 | 34 | 32 | 27 | 19 | 12 | 13 | 9 |

TRANSFORMER STEPS

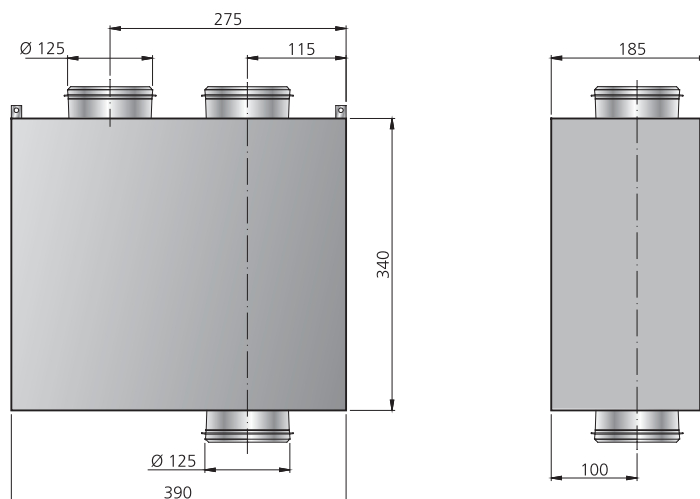
1. 80 V 2. 110 V 3. 135 V 4. 165 V 5. 230 V

MORE INFORMATION



Find out the latest updated information about this product by visiting www.ostberg.com or by scanning QR code.

DIMENSIONS (mm)





- Insulated duct fan with circular connections.
- Designed as a cooker exhaust fan and can be connected to a cooker hood.
- Equipped with 30 mm fire retardant insulation.
- Handles high pressures yet offer low sound levels.
- It features 2 inlets and 1 outlet.
- Impeller with forward curved blades.
- The external rotor motor has maintenance-free sealed ball-bearings.
- Integrated motor protection.

- Junction box has enclosure class IP 54.
- For speed control a transformer or electronic speed controller can be connected.
- The housing is manufactured from galvanized sheet steel.
- Duct connections are equipped with rubber seals.
- Swing-out design to simplify maintenance and cleaning.
- The fan is intended to be installed in a duct system.

ACCESSORIES

- Cooker Hood F251-16
- Silencer LDC 125
- Local Demand Controller Kit

TECHNICAL DATA

| | |
|-------------------------------------|-------------|
| Voltage | 230 V |
| Frequency | 50 Hz |
| Phase | 1 ~ |
| Current | 0.54 A |
| Power | 121 W |
| Speed | 2220 r.p.m. |
| Capacitor | 4 µF |
| Max. temp of transported air | 50 °C |
| Sound pressure level, 3 m | 44 dB(A) |
| Weight | 8.9 kg |
| Wiring diagram | 4040015 |

SOUND DATA

| | L_{wa} tot dB (A) | 63 | 125 | 250 | 500 | 1K | 2K | 4K | 8K |
|----------------------------|---------------------|----|-----|-----|-----|----|----|----|----|
| 5.Surrounding 230 V | 51 | 37 | 49 | 44 | 40 | 36 | 30 | 30 | 29 |
| 5.Outlet 230 V | 76 | 63 | 65 | 68 | 68 | 68 | 69 | 67 | 65 |
| 5.Inlet 230 V | 62 | 50 | 60 | 56 | 49 | 44 | 40 | 40 | 40 |
| 4.Inlet 165 V | 57 | 46 | 54 | 50 | 44 | 40 | 34 | 34 | 32 |
| 3.Inlet 135 V | 51 | 41 | 49 | 45 | 39 | 36 | 27 | 27 | 23 |
| 2.Inlet 110 V | 45 | 37 | 42 | 39 | 34 | 31 | 20 | 19 | 14 |
| 1.Inlet 80 V | 37 | 29 | 34 | 32 | 27 | 19 | 12 | 13 | 9 |

MORE INFORMATION

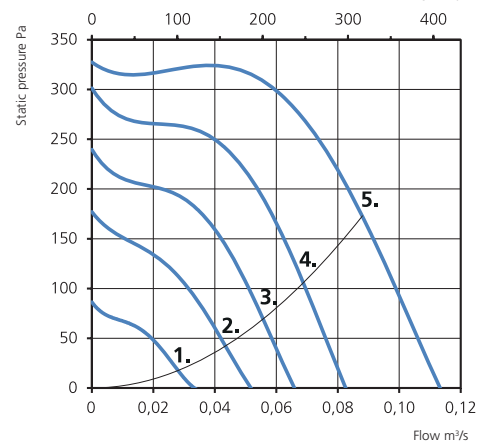


Find out the latest updated information about this product by visiting www.ostberg.com or by scanning QR code.

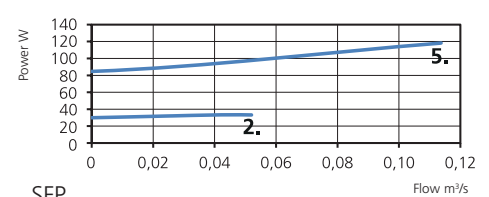
TRANSFORMER STEPS

1. 80 V 2. 110 V 3. 135 V 4. 165 V 5. 230 V

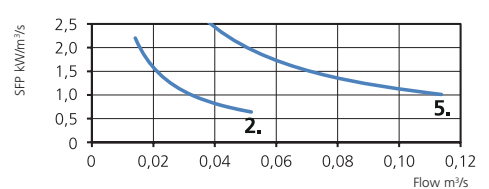
PRESSURE/FLOW



POWER/FLOW



SFP



DIMENSIONS (mm)

